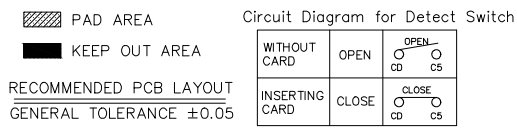
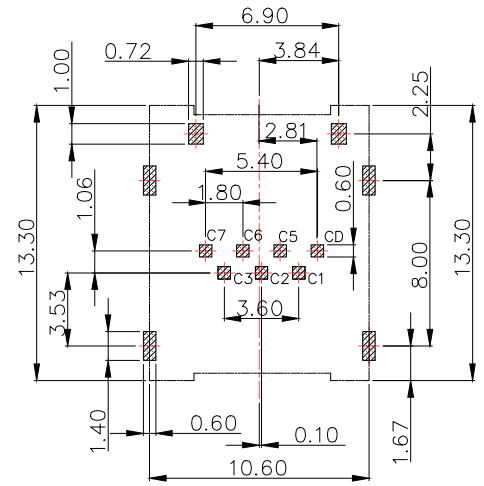
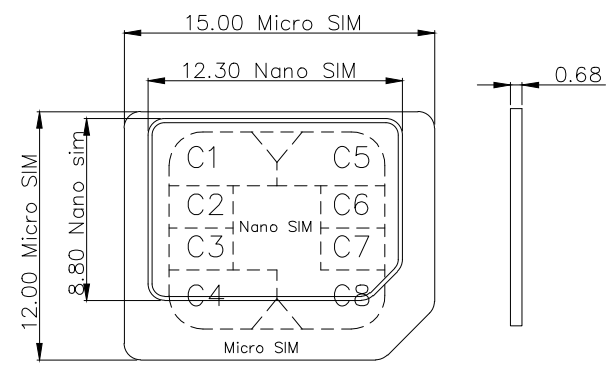


NANO SIM CARD	
Pin No.	NAME
C1	VCC OF SIM
C2	RST OF SIM
C3	CLK OF SIM
C5	GND OF SIM
C6	VPP OF SIM
C7	I/O OF SIM
C4/C8	N/A
CD	DETECTION SWITCH



- NOTES:
- MATERIAL:SEE TABLE
 - SPECIALITY:
 - RATED CURRENT: 0.5A MAX
 - RATED VOLTAGE: 30V AC
 - CONTACT RESISTANCE:100MOHM MAX
 - INSULATION RESISTANCE:1000MOHM MIN 500V DC
 - DIELECTRIC WITHSTANDING VOLTAGE: 500V AC/MINUTE.
 - SOLDER ABILITY:250±5 10±0.5S.
 - DURABILITY:5000 CYCLES
 - MATING AND UNMATING FORCE
INSERTION FORCE 10N MAX
WITHDRAWAL FORE 0.5N MIN

③	TERMINAL	6	C5210-EH,T=0.12	Au 3u" PLATING
②	BASE INSULATOR	1	LCP+GF30%	BLACK
①	SHELL	1	SUS304-H,T=0.15	AU/Ni PLATING
NO.	PART NAME	Q'TY	DESCRIPTION	NOTE

MANUFACTURE DWG

UNLESS OTHERWISE SPECIFIED TOLERANCES

DECIMALS: X.: ±0.50 X.X: ±0.20 X.XX: ±0.10

ANGLES: X.: ±2° X.X: ±1°

CUSTOMER COPY

东莞市讯普电子科技有限公司
DongGuan XunPu Electronics Co.,Ltd

TITLE: 6+1P 1.35H HINGE NANO SIM CARD CONN.

PAR	SMN-306
DWN	helen
CHKD	
APVD	
SCALE:1:1	UNIT: MM
SIZE: A4	SHEET: 1F1
	REV: A