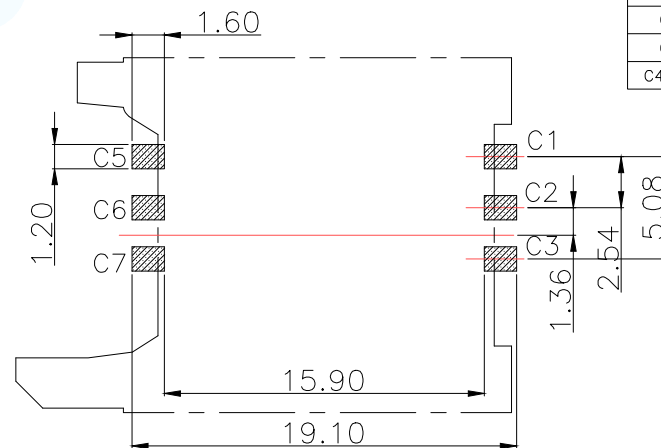
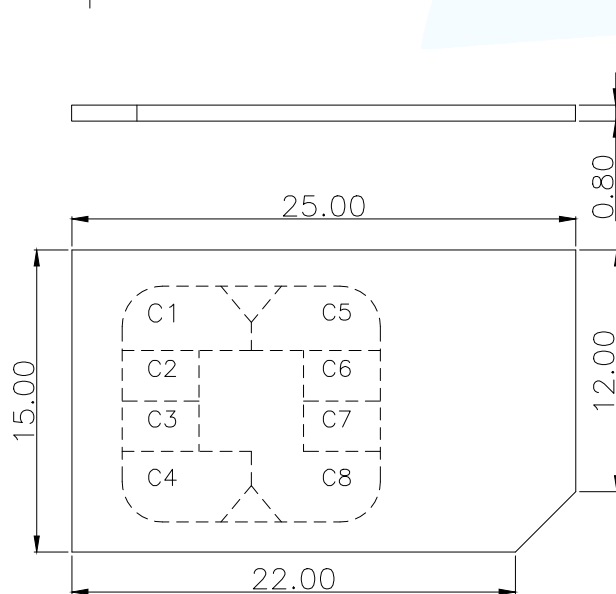
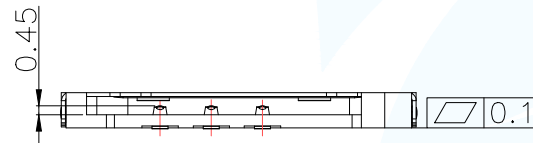
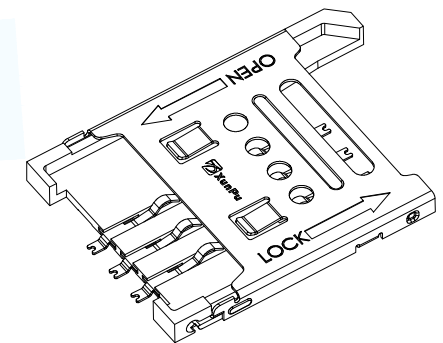


SPECIFICATIONS:

- 1.ELECTRICAL CHARACTERISTICS
 - 1-1.CONTACT RESISTANCE: 80 MILLIOHMS MAX.
 - 1-2.INSULATION RESISTANCE: 1,000 MEGOHMS MIN.
 - 1-3.DIELECTRIC WITHSTANDING VOLTAGE: 500V AC FOR 1 MINUTE.
- 2.MECHANICAL CHARACTERISTICS
 - 2-1.RETENTION FORCE:MIN.100GF/PIN
 - 2-2.DURABILITY: 5,000 CYCLES
- 3.ROHS 2002/95/EC COMPLIANT.

MINI SIM CARD	
Pin No.	NAME
C1	VCC OF SIM
C2	RST OF SIM
C3	CLK OF SIM
C5	GND OF SIM
C6	VPP OF SIM
C7	I/O OF SIM
C4/C8	N/A



PAD AREA
 KEEP OUT AREA

RECOMMENDED PCB LAYOUT
 GENERAL TOLERANCE ± 0.05

NO	DESCRIPTION	QTY	MATERIAL	PLATING & COLOR
C	SHELL	1	STAINLESS STEEL 0.20t	Ni PLATING
B	CONTACT	6	COPPER ALLOY 0.15t	Gold plated on contact area Tin plated on Solder tail All over Nickel Plated
A	HOUSING	1	HIGH-TEMPERATURE PLASTIC UL94-V0	BLACK

MANUFACTURE DWG		东莞市讯普电子科技有限公司 DongGuan XunPu Electronics Co.,Ltd	
UNLESS OTHERWISE SPECIFIED TOLERANCES		TITLE:MINI SIM CARD HINGED 6P TYPE 1.8H	
DECIMALS:	ANGLES:	PAR	SIM-106
X.: ± 0.50	X':: $\pm 2'$	DWN	YE
X.X: ± 0.30	X.X':: $\pm 1'$	CHKD	
X.XX: ± 0.20		APVD	
CUSTOMER COPY		SCALE:1:1	UNIT:MM
		SIZE:A4	SHEET:1F1
			REV:A

