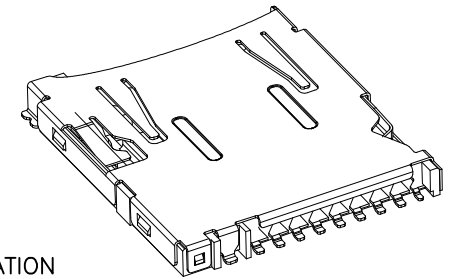
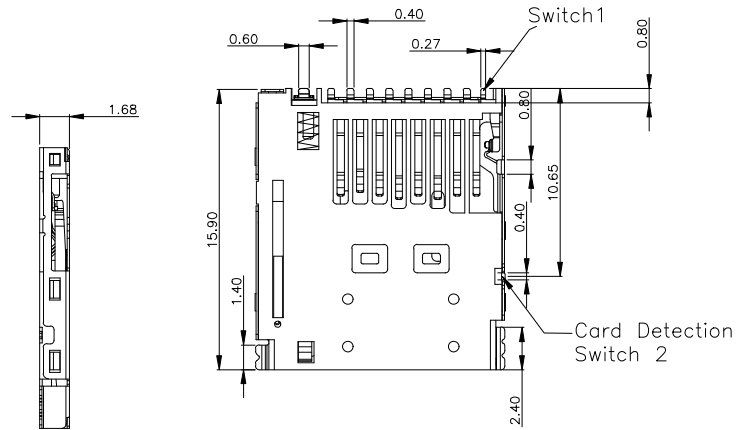
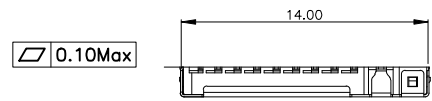




REV.	ECN NO OR DESCRIPTION	REVISED	DATE

A

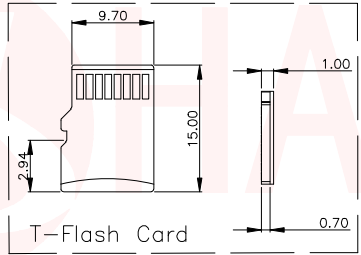
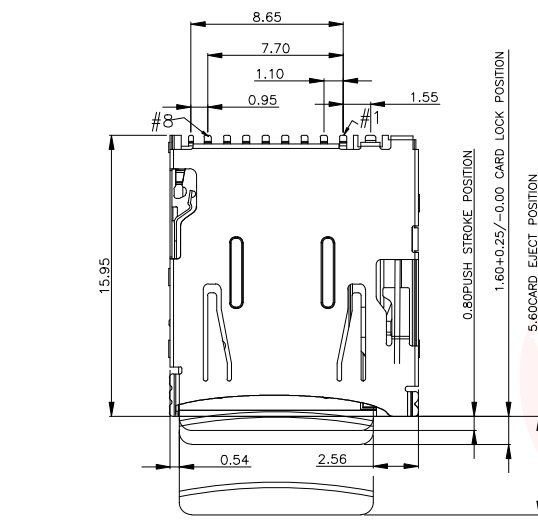
A



SPECIFICATION
MATERIAL:
 INSULATOR: HIGH TEMPERATURE THERMOPLASTIC,UL 94V-0.
 CONTACT: COPPER ALLOY
 SHELL: SUS
PLATING:
 CONTACT: PLATED 50U" NI ALL, OVER ALL AU 1U
 SHELL: PLATED 50U" NI OVERALL PLATED 1U"AU SELECTIVE CONTACT AREA
ELECTRICAL:
 CURRENT RATING :0.5A.MAX
 VOLTAGE RATING :5V AC/DC
 AMBIENT TEMPERATURE RANGE :-25°C~+85°C
 STORAGE TEMPERATURE RANGE :-25°C~+85°C
 AMBIENT HUMIDITY RANGE :95% R.H. MAX.
 CONTACT RESISTANCE:100M MAX.
 INSULATION RESISTANCE:1000M MIN./500VDC
 REFLOW PEAK TEMP: 260°C
 MATING CYCLES:5,000 INSERTIONS

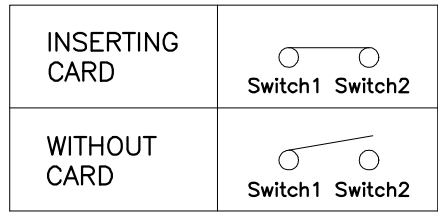
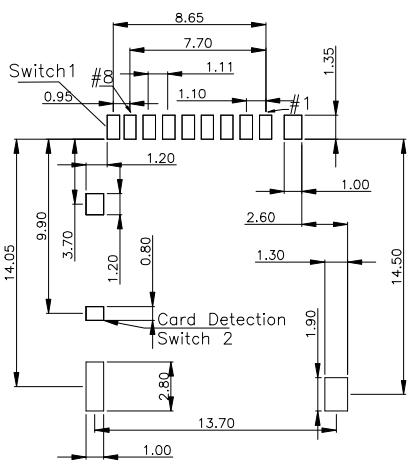
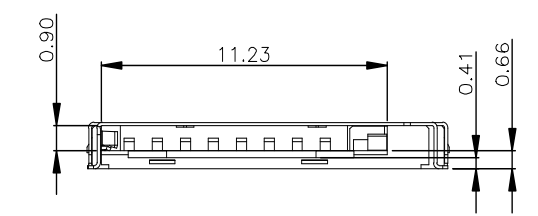
B

B



C

C



D

D

PIN NO.	NAME	YTYPE	DESCRIPTION
1	DAT2	I/O/PP	DATE LINE(BIT2)
2	CD/DAT3	I/O/PP	CARD DETECT DATE LIN(BIT3)
3	CMD	PP	COMMAND RESPONSE
4	VDD	S	SUPPLY VOLTAGE
5	CLX	I	CLOCK
6	VSS	S	SUPPLY VOLTAGE GROUND
7	DAT0	I/O/PP	DATE LINE(BIT0)
8	DAT1	I/O/PP	DATE LINE(DIT1)

UNLESS OTHERWISE SPECIFIED TOLERANCES		东莞市汉博电子科技有限公司 DONGGUAN HANBO TECHNOLOGY CO., LTD			
DECIMALS:	ANGLES:	TITLE	MICRO SD CARD PUSH PUSH and CD Pin H1.68		
X :±0.15	X :±2°	DWN	xiong	PART NO. TF-021	
X.X :±0.10	X.X :±1°	CHKD	lee	SCALE:1:1	UNIT: mm
X.XX :±0.05		APVD	wang	SIZE: A4	SHEET:10F 1
		REV: A4			
CUSTOMER COPY					

RECOMMENDED P.C.B HOLE LAYOUT
 COMPONENT SIDE VIEW(TOLERANCE: +/-0.05)