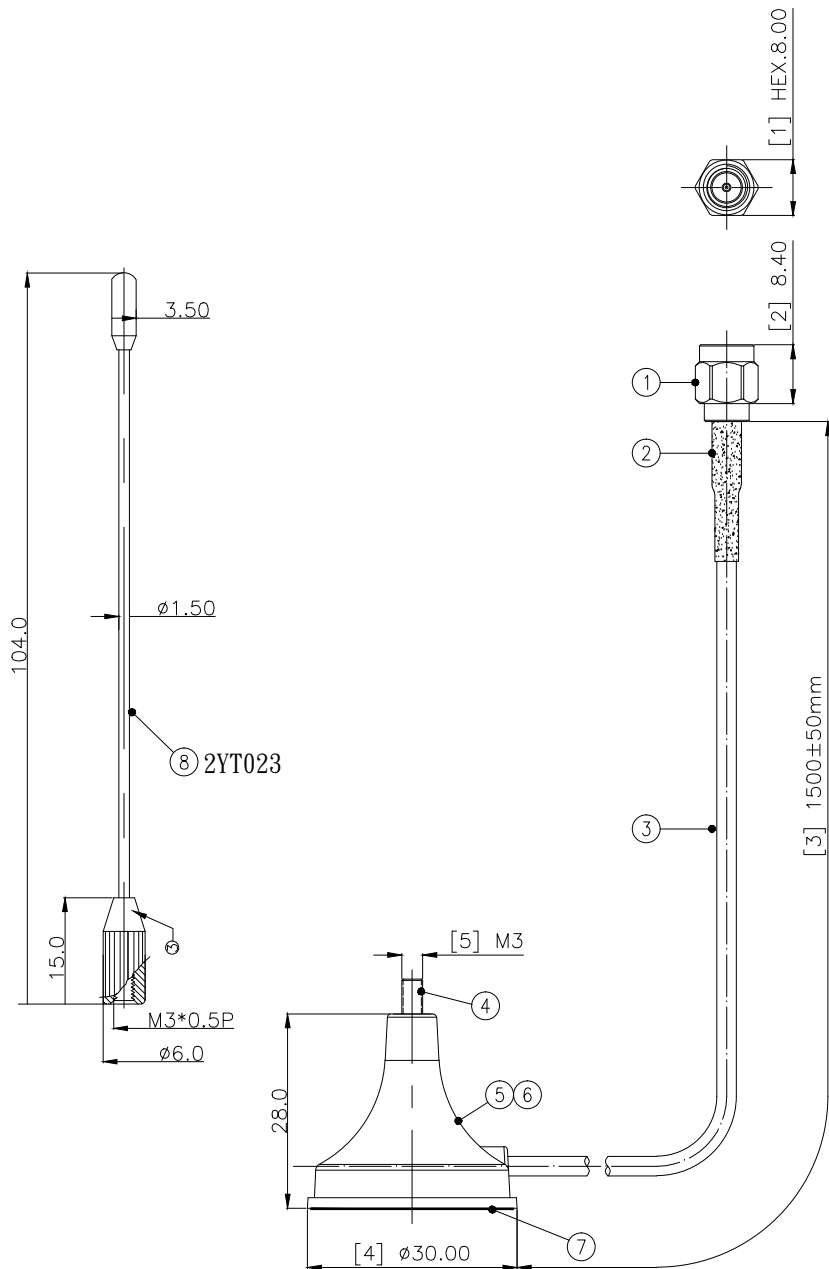


REV.	ECN NO.	LOCAS.	DESCRIPTION	DATE	DESIGN
A0			The first edition released	2019.01.07	Mark

Note:

- 1.cable length: 1.5 M(RG174);
- 2.frequency range: 900MHz~1800MHz
- 3.connector: SMA (M);
- 4.nominal impedance : 50 ohms;
- 5.VSWR: < 3.0:1 on the whole band;
- 6.radiation pattern: omnidirectional;
- 7.antenna height: 25 to 65 cm;
- 8.antenna gain: +2.5 to 5 dBi min (peak);
- 9.polarization: vertical;
- 10.operating temperature: -30° C to +90° C;
- 11.ROHS compliant;



NO	ITLM	DESCRIPTION	Q'TY
8	2YT023	天线杆 Ø6.0*L104.00mm 弹簧钢, 电着黑	1
7		背胶底膜	1
6		磁铁	1
5		天线底座 Ø30.0*Ø7.0*H28.0 ABS黑色	1
4	N-3E0301BK-003	M3连接螺丝	1
3		RG174 64编, 铜包铝黑色	1
2		OD4.0*15mm黑色热缩管	1
1		SMA公头公针, 表面镀金	1

HJ-Tech 东莞市皇捷通讯科技有限公司

DRAW NO.	DATE	DRAW NAME:	P/N NO.
DESIGN: Mark	2018.01.07	GSM吸盘天线 RG174黑色线焊SMA公头公针+吸盘天线组件 L=1.5M	HJ-GSM-SMA-RG174-1.5M
CHECK:		MODEL:	UNIT: mm SHEET: N/A
APPROVED:		REV. A0 SCALE N/A	

DIM	TOL	DIM	TOL
X.	±3.0	X'	±4.0'
X.X	±1.5	X.X'	±3.0'
X.XX	±0.05	X.XX'	±2.0'
X.XXX	±0.005	X.XXX'	±1.0'

COPLIANCE WITH THE REQUIEMENT RoHS HF SONY00259 OTHER
 * NO USING RESTRICTED AND BANNED SUBSTANCE