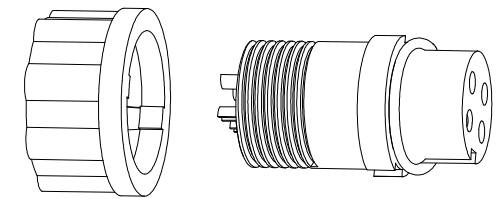
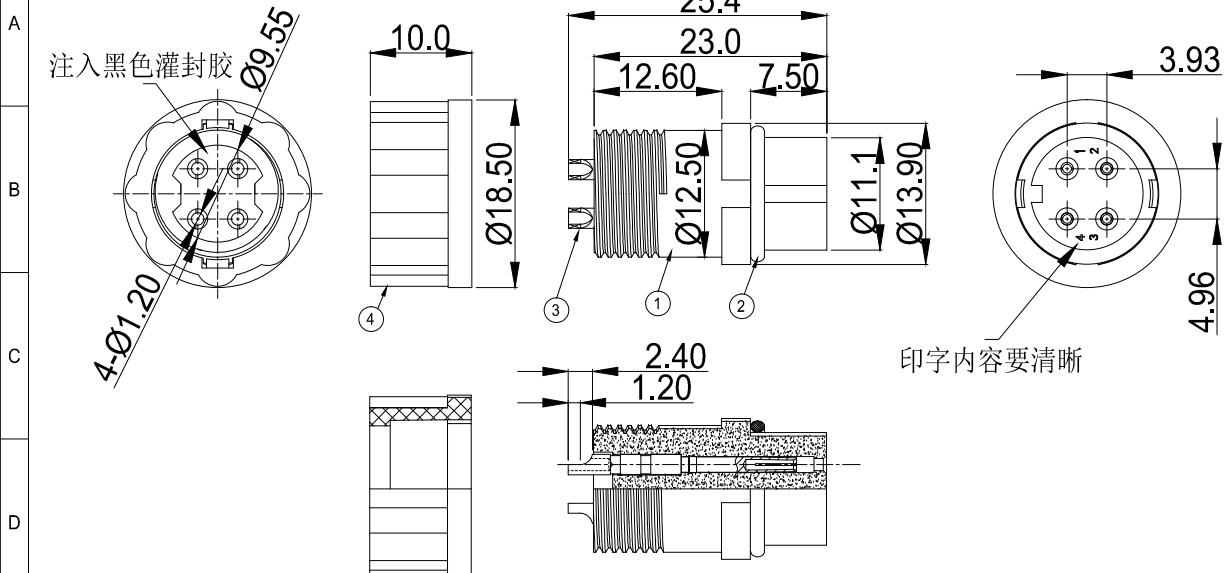
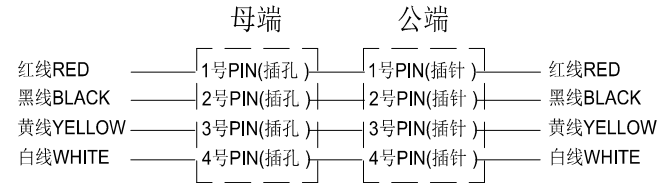


REVISION	DESCRIPTION	DATE	DRAFTER
A0	FIRST RELEASE	20.02.25	Mark
A1	修改模穴及更新PIN矩	20.03.07	Mark
A2	依实物修正胶芯外径	20.05.09	Mark



### 3D 视图



### 母端插孔&公端插针接线示意

电气性能 (ELECTRICAL CHARACTERISTICS)	
额定电压 (Rated voltage)	250V(rms)
接触电阻 (Contact resistance)	≤ 10 mΩ
介质电压 (Dielectric withstanding voltage)	2500 V AC
绝缘电阻 (Insulation resistance)	≥1000MΩ
额定电流 (Rated Current)	10A

机械特性 (MECHANICAL CHARACTERISTICS)	
IP-degree IP等级	IP67
机械耐久性 (Durability)	500 cycles
电缆保持力(Cable holding force)	N/A
插入力/拔出力(Insertion force/pullout force)	320g.f ~480g.f

环境参数 (ENVIRONMENTAL CHARACTERISTICS)	
工作温度 (Temperature range)	-40°C TO +85°C
阻燃等级 (Flame retardant rating)	UL94 V-0

COMPLIANCE WITH THE REQUIREMENT:  RoHS;  HF;  SONY SS-00259;  OTHERS  
 \*NO USING ESTRICTED AND BANNED SUBSTANCE

No.	PART NAME	SPECIFICATION DESCRIPTION	Q'TY
4	2LC00SF903-4	塑胶外壳,尼龙,黑色,OD:18.5*H10mm	1
3	2LC00SF903-5	中心针(母),黄铜,镀金中心针(母),OD:2.0*L22.5mm	4
2	2LC00S-406	红色硅胶圈,外径Ø12*内径9.0*线径1.50mm	1
1	2LC00SF903-6	4PIN绝缘体,尼龙,黑色, OD:13.9*L23.0mm	1

GENERAL TOLERANCE: LINEAR: X ±1.00 X.X ±0.50 X.XX ±0.20 X.XXX ±0.10 ANGLE: X° ±4.00° X.X° ±3.00° X.XX° ±2.00° X.XXX° ±1.00°		<b>HJ-Tech</b> 东莞市皇捷通讯科技有限公司 FILE NAME: 成品图 TITLE: 4PIN连接器,母端4PIN插孔,黑色,OD:18.5*L25.4mm ENG/DATE: Mark/20.02.25 CHE/DATE: P/N: HJ-2LC00SF903 APP/DATE: UNIT: mm SCALE: 1:1 REVISION: A0 SHEET: 1/1	
---	--	---	--