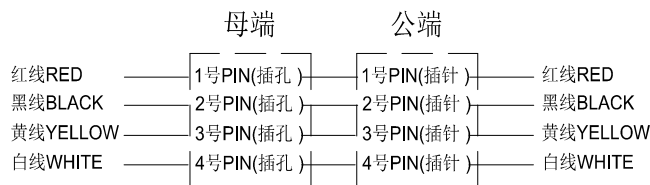
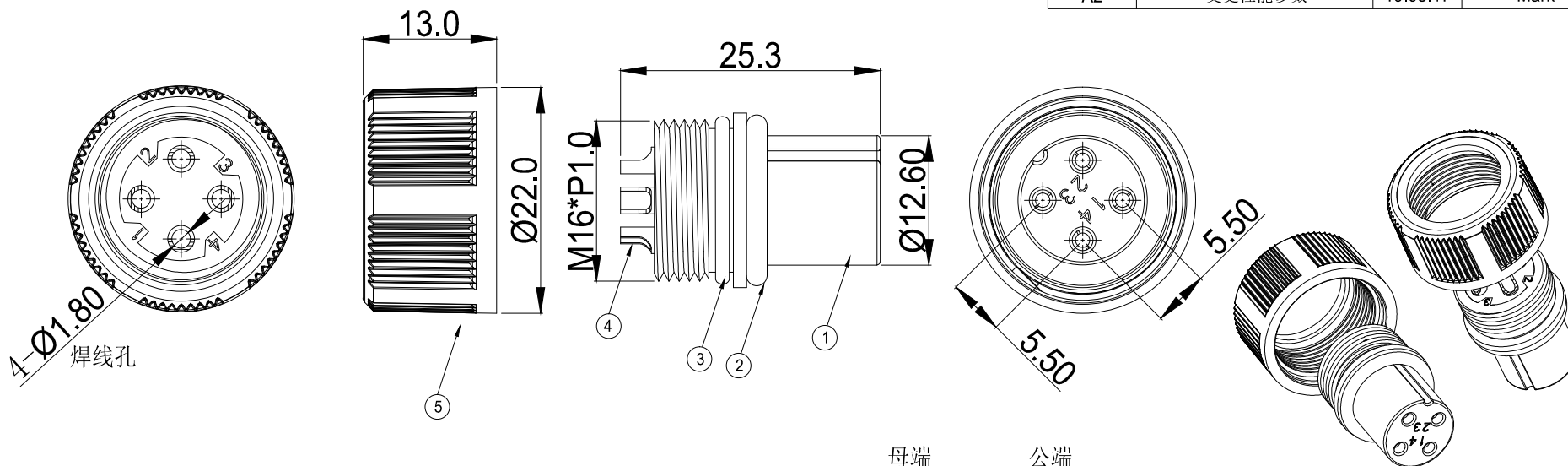


REVISION	DESCRIPTION	DATE	DRAFTER
A0	FIRST RELEASE	18.12.28	Mark
A1	变更螺帽尺寸	19.04.22	Mark
A2	变更性能参数	19.08.17	Mark



3D 视图

母端插孔&公端插针接线示意

电气性能 (ELECTRICAL CHARACTERISTICS)	
额定电压 (Rated voltage)	250 V
接触电阻 (Contact resistance)	≤ 10 mΩ
介质电压 (Dielectric withstanding voltage)	2500 V AC
绝缘电阻 (Insulation resistance)	≥500MΩ
额定电流 (Rated Current)	10A

机械特性 (MECHANICAL CHARACTERISTICS)	
IP-degree IP等级	IP68 (1M,24h)
机械耐久性 (Durability)	500 cycles
电缆保持力(Cable holding force)	N/A
插入力/拔出力(Insertion force/pullout force)	20N ≤ F ≤ 60N

环境参数 (ENVIRONMENTAL CHARACTERISTICS)	
工作温度 (Temperature range)	-40°C TO +85°C
阻燃等级 (Flame retardant rating)	UL94 V-0

No.	PART NAME	SPECIFICATION DESCRIPTION	Q'TY
5	2LC00SF901-4	塑胶外壳,尼龙,黑色	1
4	2LC00SF901-5	中心针(母),磷铜,镀金	4
3	2LC00S-403	红色硅胶圈	1
2	2LC00S-402	黑色硅胶圈	1
1	2LC00SF901-6	绝缘体, 尼龙,绿色	1

GENERAL TOLERANCE: LINEAR: X ±1.0 X.X ±0.5 X.XX ±0.20 X.XXX ±0.10 ANGLE: X° ±4.00° X.X° ±3.00° X.XX° ±2.00° X.XXX° ±1.00°		HJ-Tech 东莞市皇捷通讯科技有限公司 FILE NAME: 成品图 TITLE: 工业连接器, 母端4P插孔 ENG/DATE: Mark liang/19.08.17 4PIN插孔,绿色绝缘,黑色外壳,OD:22*L25.3 CHE/DATE: John wang/19.08.17 P/N: HJ-2LC00SF901 APP/DATE: Leo ning/19.08.17 UNIT: mm SCALE: 1:1 REVISION: A2 SHEET: 1/1	
---------------------------------------------------------------------------------------------------------------------------------------------------------	--	----------------------------------------------------------------------------------------------------------------------------------------------------------------------------------------------------------------------------------------------------------------------------------------------------	--

COMPLIANCE WITH THE REQUIREMENT: RoHS; HF; SONY SS-00259; OTHERS
*NO USING ESTRICTED AND BANNED SUBSTANCE