

NOTES :

1. MATERIAL:

HOUSING: LCP FIBER GLASS FILLED UL 94-V0
 COLOR BLACK.
 TERMINAL: COPPER ALLOY
 BASE FINISH: NICKEL
 CONTACT SURFACE FINISH
 GOLD
 OR
 GOLD FLASH OVER PALLADIUM NICKEL
 EXCEEDS PRODUCT REQUIREMENTS BASED ON PSD-95503-001

2. JACK FOR MATING WITH F.C.C. 68 PLUGS

90075 MOLEX SERIES.

3. P.C.B. THICKNESS: 1.57

4. PRODUCT SPECIFICATION PSD-95503-001

5. PACKAGING SPECIFICATION:

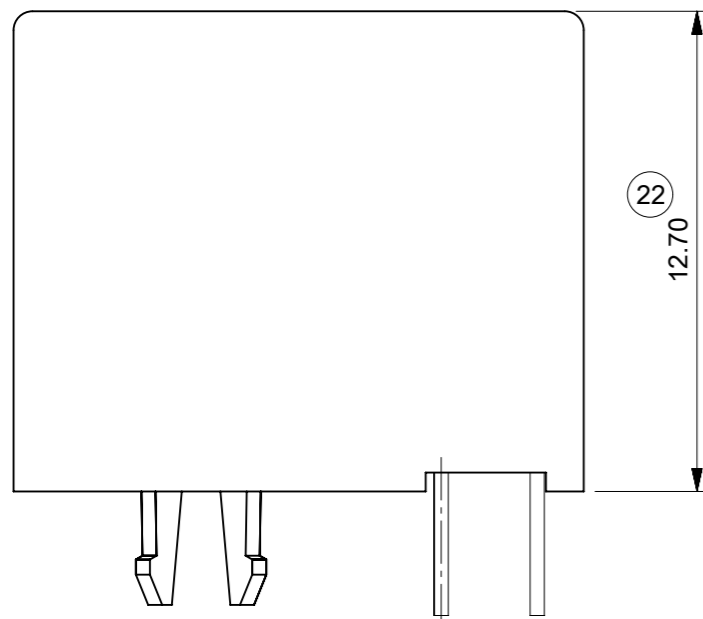
STANDARD PACKAGING PK-95003 SHEET 1.
 TUBE PACKAGING FOR SMT VERSION PK-95003 SHEET 2.
 TUBE PACKAGING FOR THROUGH HOLE VERSION
 PK-95003 SHEET 3.
 TAPE AND REEL PACKAGING FOR THROUGH HOLE PK-95503-001.

6. MANUFACTURING I.D. CAN BE MXF, MG, MXI OR MXCH.

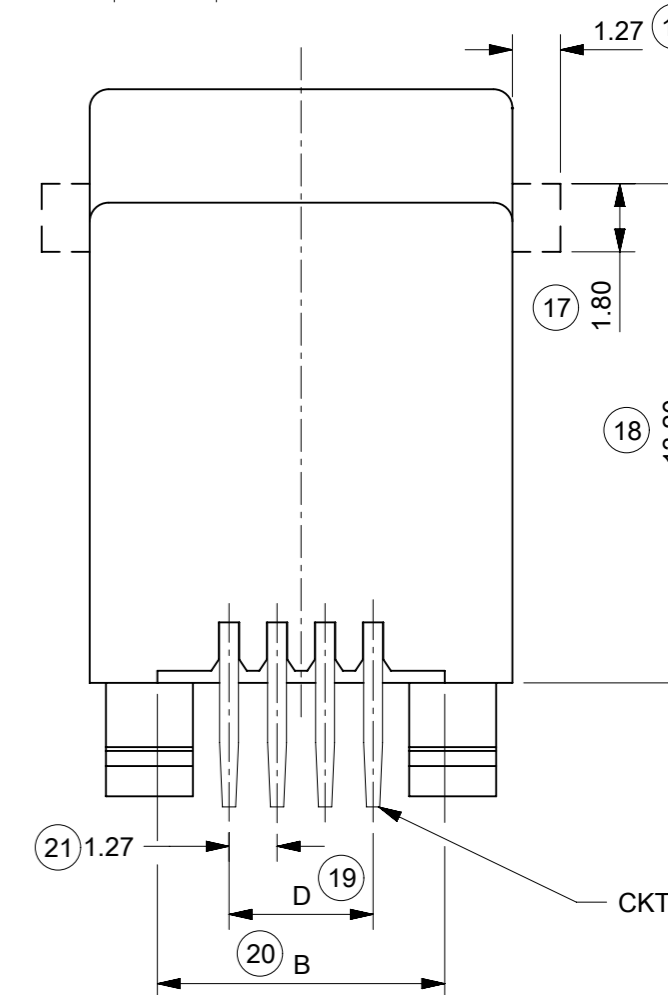
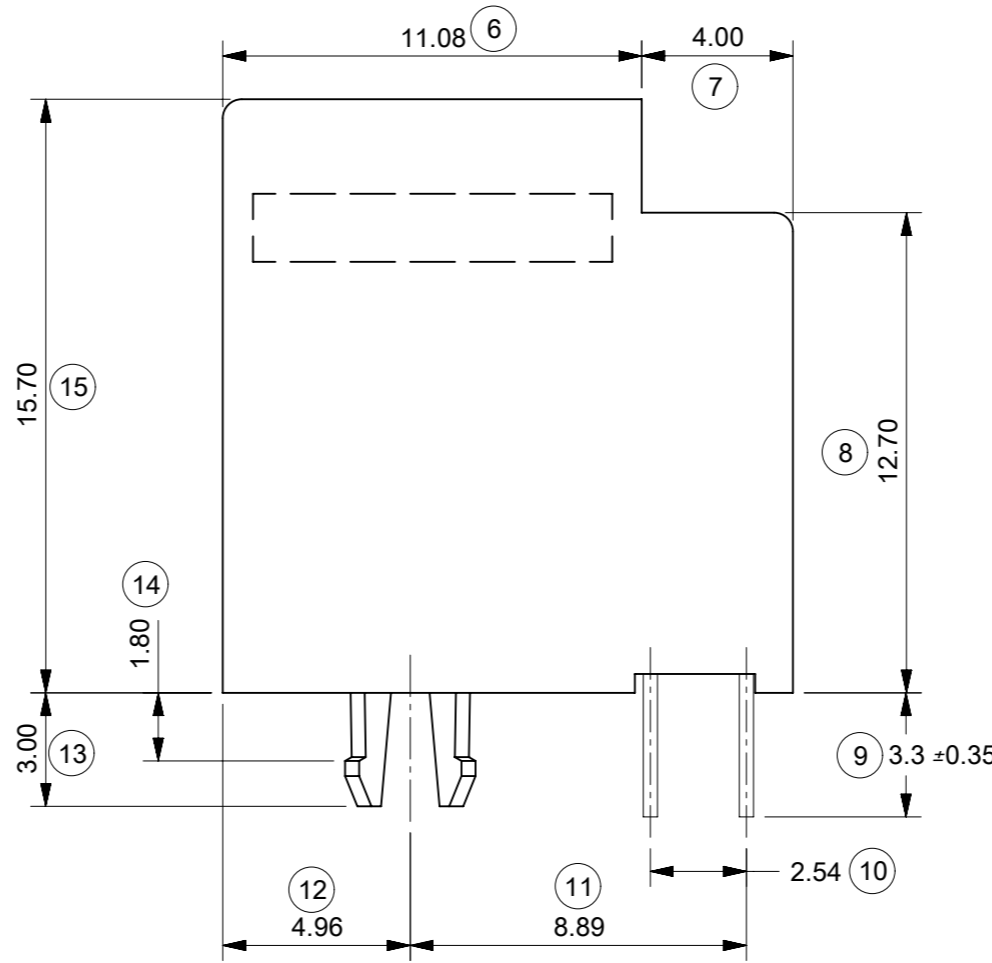
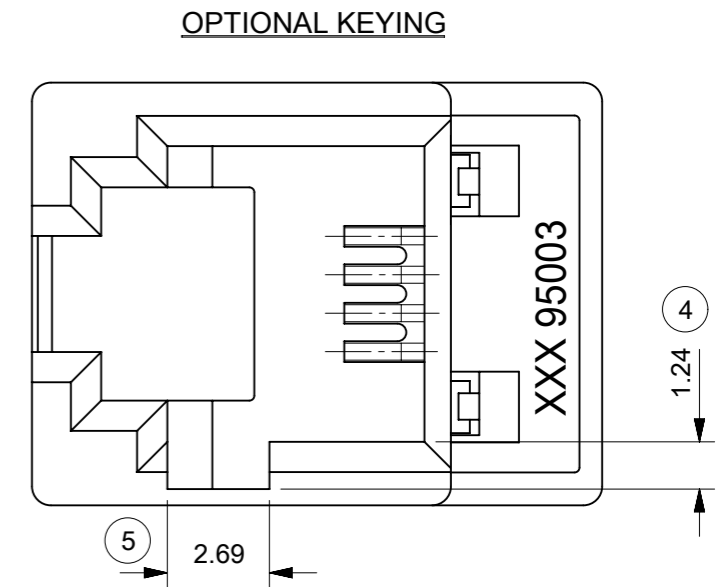
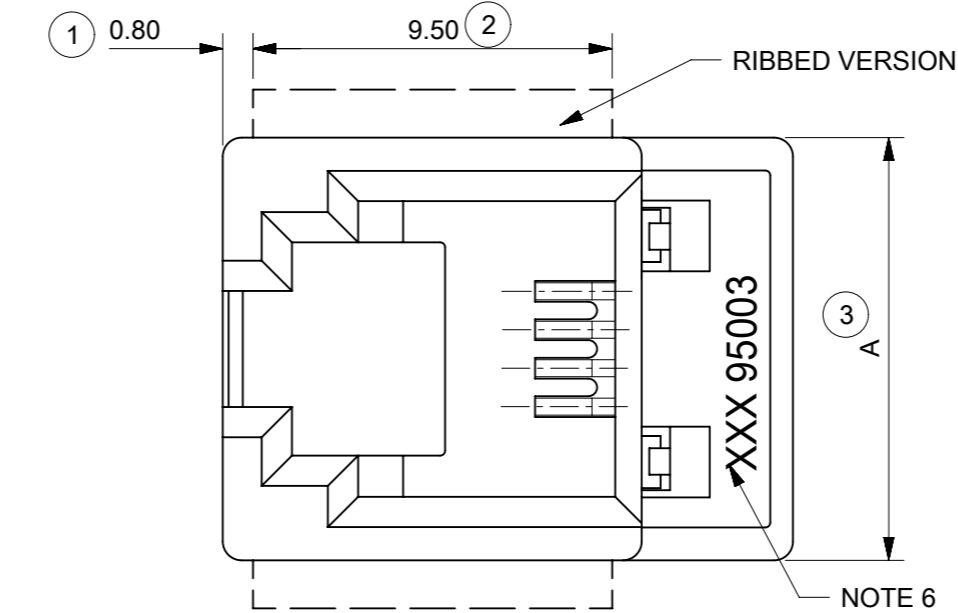
INSPECTION NUMBERS USED: (1) - (50)

LAST INSPECTION NUMBER: (22)

TYPE DIM.	POS. 4	POS. 6		POS. 8
	4 CKTS.	4 CKTS.	6 CKTS.	8 CKTS.
A	11.18	13.21	13.21	15.24
B	7.62	10.16	10.16	11.43
D	3.81	3.81	6.35	8.89



SHORT VERSION



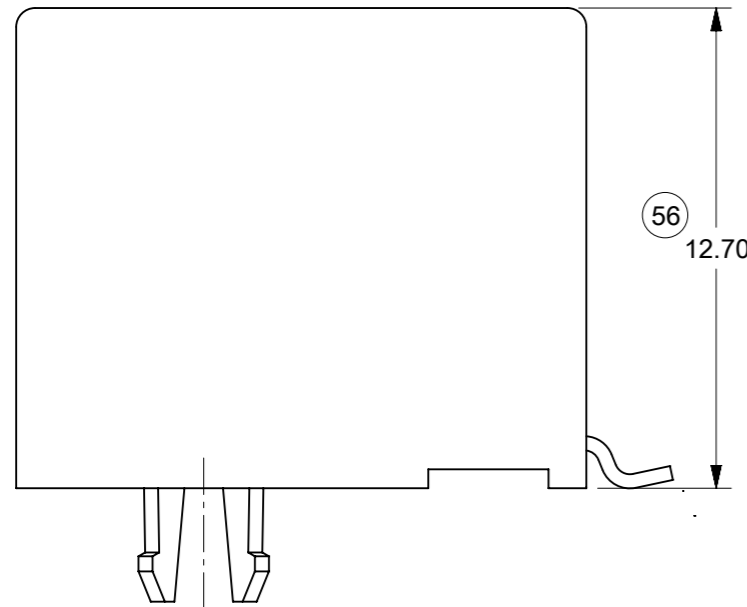
FUNCTIONAL SYMBOLS $\nabla_A = 0$ $\nabla_E = 0$ $\nabla_P = 0$	THIS DRAWING CONTAINS INFORMATION THAT IS PROPRIETARY TO MOLEX ELECTRONIC TECHNOLOGIES, LLC AND SHOULD NOT BE USED WITHOUT WRITTEN PERMISSION	CURRENT REV DESC: ADD "MXCH" AS MANUFACTURING I.D. SEE NOTE 6.				
	DIMENSION UNITS: mm SCALE: 5:1	GENERAL TOLERANCES (UNLESS SPECIFIED) ANGULAR TOL ± 0.5°				
	DIVISIONAL SYMBOLS 4 PLACES ± 3 PLACES ± 2 PLACES ± 0.15 1 PLACE ± 0.25 0 PLACES ±	EC NO: 641518 DRWN: BCAFFREY CHK'D: KLANG APPR: KLANG	2017/07/05 2020/08/25 2020/08/25	PRODUCT CUSTOMER DRAWING		
	DRAFT WHERE APPLICABLE MUST REMAIN WITHIN DIMENSIONS	INITIAL REVISION: DRWN: TMARTIN APPR: KNOLLER	2005/06/29 2005/07/04	DOCUMENT NUMBER: SD-95503-003 DOC TYPE: PSD DOC PART: 001 REVISION: H	MATERIAL NUMBER: SEE CHART CUSTOMER: GENERAL MARKET	SHEET NUMBER: 1 OF 5

NOTES:

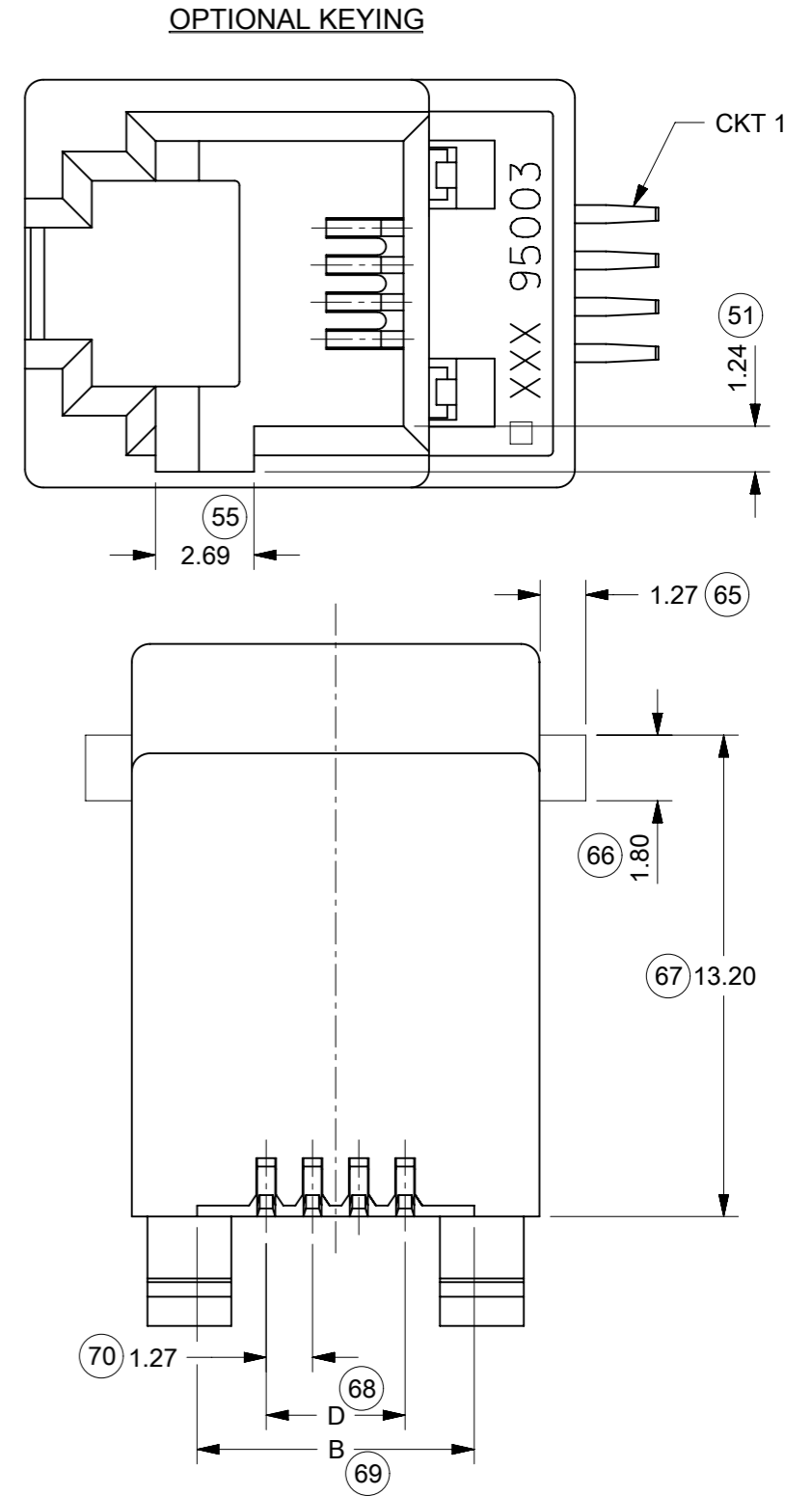
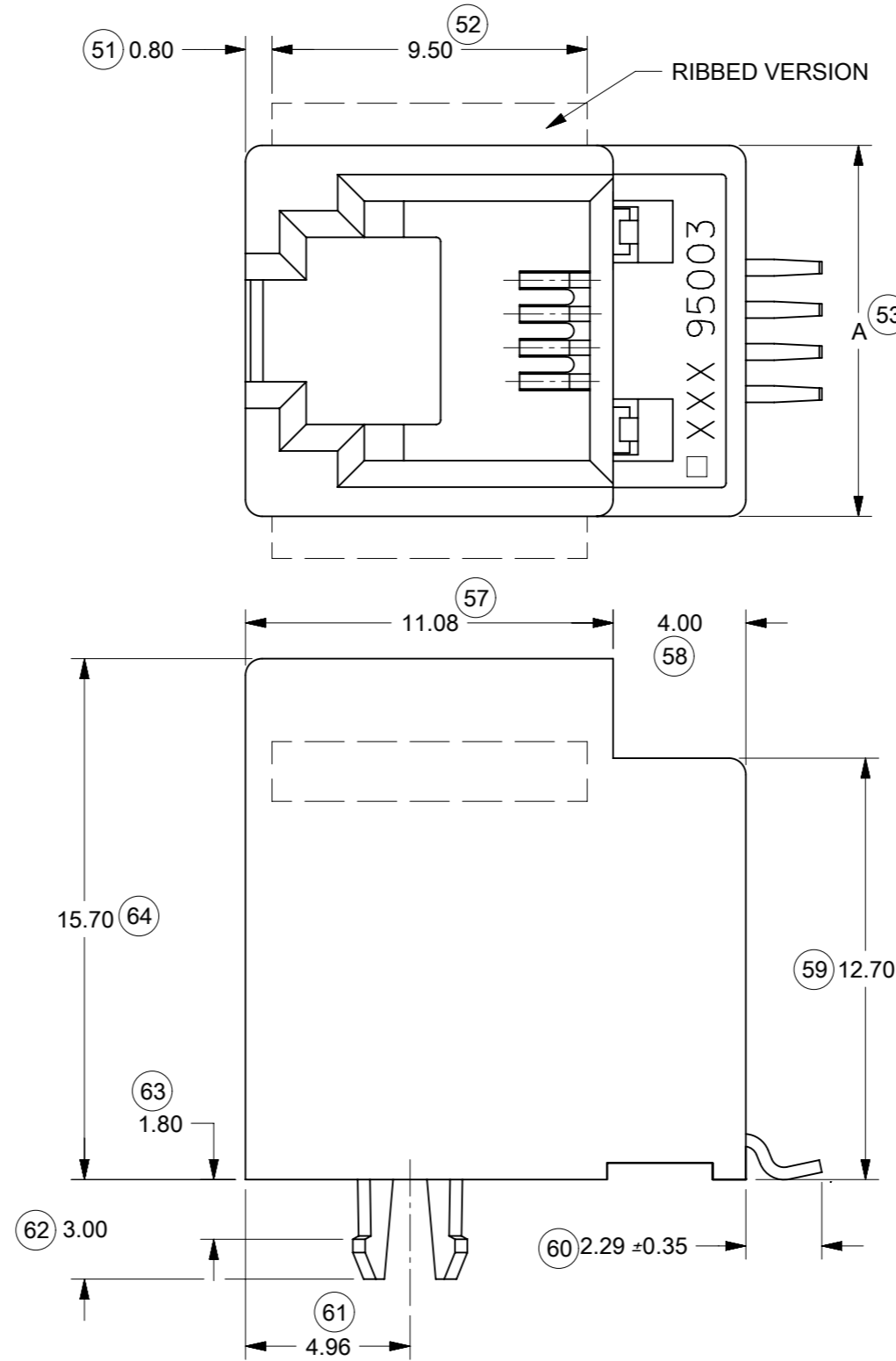
- MATERIAL:**
HOUSING: L C P FIBER GLASS FILLED UL 94-V0
COLOR BLACK.
- APPLICATION SPECIFICATION:** AS-85513-001 (SMT).
- SEE OTHER NOTES SHEET 1.
- COPLANARITY OF SIGNAL TAILS** 0.1mm MAX
RELEVANT TO EACH OTHER.

INSPECTION NUMBERS USED: (51) - (100)

LAST INSPECTION NUMBER: (70)



SHORT VERSION



DIM. \ TYPE	POS. 4	POS. 6		POS. 8
	4 CKTS.	4 CKTS.	6 CKTS.	8 CKTS.
A	11.18	13.21	13.21	15.24
B	7.62	10.16	10.16	11.43
D	3.81	3.81	6.35	8.89

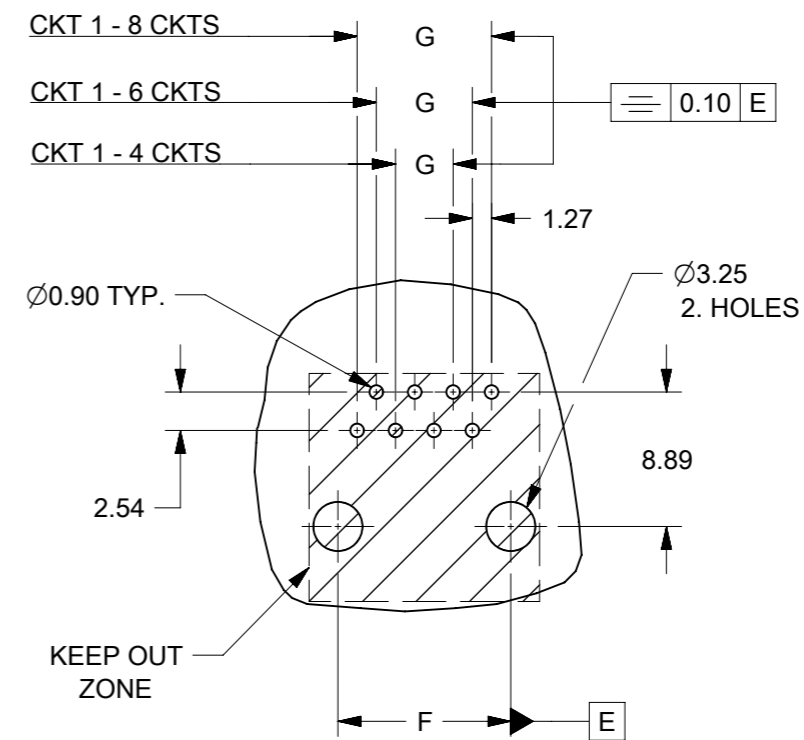
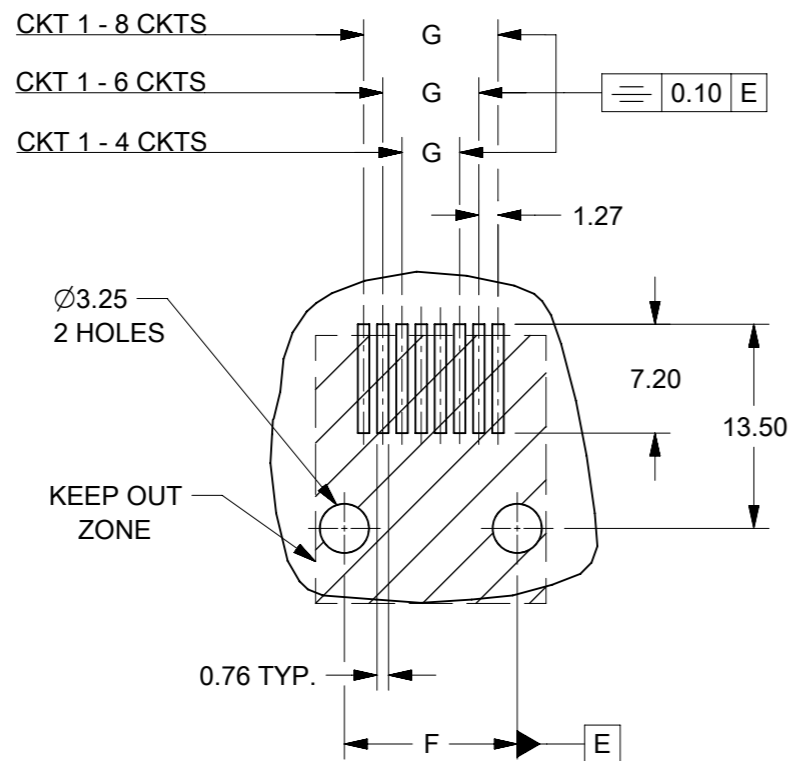
FUNCTIONAL SYMBOLS	THIS DRAWING CONTAINS INFORMATION THAT IS PROPRIETARY TO MOLEX ELECTRONIC TECHNOLOGIES, LLC AND SHOULD NOT BE USED WITHOUT WRITTEN PERMISSION	CURRENT REV DESC: ADD "MXCH" AS MANUFACTURING I.D. SEE NOTE 6.																																																	
	<table border="1"> <tr> <th>DIMENSION UNITS</th> <th>SCALE</th> </tr> <tr> <td>mm</td> <td>1:1</td> </tr> </table>	DIMENSION UNITS	SCALE				mm	1:1	<table border="1"> <tr> <th colspan="3">GENERAL TOLERANCES (UNLESS SPECIFIED)</th> </tr> <tr> <td>ANGULAR TOL</td> <td>±</td> <td>0.5°</td> </tr> <tr> <td>4 PLACES</td> <td>±</td> <td></td> </tr> <tr> <td>3 PLACES</td> <td>±</td> <td></td> </tr> <tr> <td>2 PLACES</td> <td>±</td> <td>0.15</td> </tr> <tr> <td>1 PLACE</td> <td>±</td> <td>0.25</td> </tr> <tr> <td>0 PLACES</td> <td>±</td> <td></td> </tr> </table>		GENERAL TOLERANCES (UNLESS SPECIFIED)			ANGULAR TOL	±	0.5°	4 PLACES	±		3 PLACES	±		2 PLACES	±	0.15	1 PLACE	±	0.25	0 PLACES	±		<table border="1"> <tr> <td>EC NO: 641518</td> <td>2017/07/05</td> </tr> <tr> <td>DRWN: BCAFFREY</td> <td>2020/08/25</td> </tr> <tr> <td>CHK'D: KLANG</td> <td>2020/08/25</td> </tr> <tr> <td>APPR: KLANG</td> <td>2020/08/25</td> </tr> </table>		EC NO: 641518	2017/07/05	DRWN: BCAFFREY	2020/08/25	CHK'D: KLANG	2020/08/25	APPR: KLANG	2020/08/25	<table border="1"> <tr> <th colspan="3">PRODUCT CUSTOMER DRAWING</th> </tr> <tr> <td>DOCUMENT NUMBER</td> <td>DOC TYPE</td> <td>DOC PART</td> <td>REVISION</td> </tr> <tr> <td>SD-95503-003</td> <td>PSD</td> <td>001</td> <td>H</td> </tr> </table>			PRODUCT CUSTOMER DRAWING			DOCUMENT NUMBER	DOC TYPE	DOC PART	REVISION
DIMENSION UNITS	SCALE																																																		
mm	1:1																																																		
GENERAL TOLERANCES (UNLESS SPECIFIED)																																																			
ANGULAR TOL	±	0.5°																																																	
4 PLACES	±																																																		
3 PLACES	±																																																		
2 PLACES	±	0.15																																																	
1 PLACE	±	0.25																																																	
0 PLACES	±																																																		
EC NO: 641518	2017/07/05																																																		
DRWN: BCAFFREY	2020/08/25																																																		
CHK'D: KLANG	2020/08/25																																																		
APPR: KLANG	2020/08/25																																																		
PRODUCT CUSTOMER DRAWING																																																			
DOCUMENT NUMBER	DOC TYPE	DOC PART	REVISION																																																
SD-95503-003	PSD	001	H																																																
DIVISIONAL SYMBOLS	<table border="1"> <tr> <th colspan="2">INITIAL REVISION:</th> </tr> <tr> <td>DRWN: TMARTIN</td> <td>2005/06/29</td> </tr> <tr> <td>APPR: KNOLLER</td> <td>2005/07/04</td> </tr> </table>	INITIAL REVISION:		DRWN: TMARTIN	2005/06/29	APPR: KNOLLER	2005/07/04	<table border="1"> <tr> <th colspan="2">THIRD ANGLE PROJECTION</th> </tr> <tr> <td></td> <td></td> </tr> </table>		THIRD ANGLE PROJECTION				<table border="1"> <tr> <th>DRAWING</th> <th>SERIES</th> <th>MATERIAL NUMBER</th> <th>CUSTOMER</th> <th>SHEET NUMBER</th> </tr> <tr> <td>A3-SIZE</td> <td>95503</td> <td>SEE CHART</td> <td>GENERAL MARKET</td> <td>2 OF 5</td> </tr> </table>		DRAWING	SERIES	MATERIAL NUMBER	CUSTOMER	SHEET NUMBER	A3-SIZE	95503	SEE CHART	GENERAL MARKET	2 OF 5																										
INITIAL REVISION:																																																			
DRWN: TMARTIN	2005/06/29																																																		
APPR: KNOLLER	2005/07/04																																																		
THIRD ANGLE PROJECTION																																																			
DRAWING	SERIES	MATERIAL NUMBER	CUSTOMER	SHEET NUMBER																																															
A3-SIZE	95503	SEE CHART	GENERAL MARKET	2 OF 5																																															

TYPE \ DIM.	POS. 4	POS. 6		POS.8
	4 CKTS.	4 CKTS.	6 CKTS.	8 CKTS.
F±0.05	7.62	10.16	10.16	11.43
G±0.05	3.81	3.81	6.35	8.89

P.C.B MOUNTING PATTERNS - SEEN FROM COMPONENT SIDE

FOR SMT JACK (SURFACE MOUNT)

FOR STANDARD JACK (THROUGH HOLE)



NOTES:
ALL DIMENSIONS REF DIMENSIONS.

FUNCTIONAL SYMBOLS	THIS DRAWING CONTAINS INFORMATION THAT IS PROPRIETARY TO MOLEX ELECTRONIC TECHNOLOGIES, LLC AND SHOULD NOT BE USED WITHOUT WRITTEN PERMISSION					
	$\nabla_A = 0$ $\nabla_E = 0$ $\nabla_V = 0$	DIMENSION UNITS: mm SCALE: 1:1				CURRENT REV DESC: ADD "MXCH" AS MANUFACTURING I.D. SEE NOTE 6. EC NO: 641518 DRWN: BCAFFREY CHK'D: KLANG APPR: KLANG
DIVISIONAL SYMBOLS	GENERAL TOLERANCES (UNLESS SPECIFIED) ANGULAR TOL ± 0.5° 4 PLACES ± 3 PLACES ± 2 PLACES ± 0.15 1 PLACE ± 0.25 0 PLACES ±	INITIAL REVISION: DRWN: TMARTIN APPR: KNOLLER	2005/06/29 2005/07/04	PRODUCT CUSTOMER DRAWING DOCUMENT NUMBER: SD-95503-003 DOC TYPE: PSD DOC PART: 001 REVISION: H	SHEET NUMBER: 3 OF 5	
DRAFT WHERE APPLICABLE MUST REMAIN WITHIN DIMENSIONS		THIRD ANGLE PROJECTION	DRAWING: A3-SIZE	SERIES: 95503	MATERIAL NUMBER: SEE CHART	CUSTOMER: GENERAL MARKET

F
E
D
C
B
A

HOUSING SIZE	LOADED CONTACTS
4	4
6	4
6	6
8	8

PART NO. FOR JACK ASSEMBLY THROUGH HOLE STANDARD VERSION					
LCP FIBER GLASS FILLED UL-94V0 COLOR BLACK					
NO KEY	TOOLED	KEY	TOOLED		TOOLED
NO RIB	TOOLED	NO RIB	TOOLED		TOOLED
95503-2441	X				
95503-2641	X				
95503-2661	X				
95503-2881	X	95503-2882	X		

TRAY PACKAGING
SEE PACKAGING SPEC PK-95003 SHEET 1

PART NO. FOR JACK ASSEMBLY THROUGH HOLE STANDARD VERSION					
LCP FIBER GLASS FILLED UL-94V0 COLOR BLACK					
NO KEY	TOOLED	KEY	TOOLED		TOOLED
NO RIB	TOOLED	NO RIB	TOOLED		TOOLED
95503-2884	X				

TRAY PACKAGING
SEE PACKAGING SPEC PK-95003 SHEET 1

PART NO. FOR JACK ASSEMBLY THROUGH HOLE SHORT VERSION					
LCP FIBER GLASS FILLED UL-94V0 COLOR BLACK					
NO KEY	TOOLED	KEY	TOOLED		TOOLED
NO RIB	TOOLED	NO RIB	TOOLED		TOOLED
95503-2440	X				
95503-2640					
95503-2660					
95503-2880	X				

TAPE AND REEL PACKAGING
SEE PACKAGING SPEC PK-95503 SHEET 1

TOOLED	X
NOT TOOLED	

NOTES:
PLATING: SEE SHEET 1

FUNCTIONAL SYMBOLS $\nabla_A = 0$ $\nabla_B = 0$ $\nabla_C = 0$ DIVISIONAL SYMBOLS	THIS DRAWING CONTAINS INFORMATION THAT IS PROPRIETARY TO MOLEX ELECTRONIC TECHNOLOGIES, LLC AND SHOULD NOT BE USED WITHOUT WRITTEN PERMISSION	EC NO: 641518 DRWN: BCAFFREY CHK'D: KLANG APPR: KLANG	2017/07/05 2020/08/25 2020/08/25	molex LOW PROFILE TOP ENTRY JACK (THROUGH HOLE VERSION)				
	DIMENSION UNITS: mm SCALE: 1:1	CURRENT REV DESC: ADD "MXCH" AS MANUFACTURING I.D. SEE NOTE 6.	INITIAL REVISION: DRWN: TMARTIN APPR: KNOLLER	2005/06/29 2005/07/04	DOCUMENT NUMBER SD-95503-003	DOC TYPE PSD	DOC PART 001	REVISION H
	GENERAL TOLERANCES (UNLESS SPECIFIED) ANGULAR TOL $\pm 0.5^\circ$ 4 PLACES \pm 3 PLACES \pm 2 PLACES ± 0.15 1 PLACE ± 0.25 0 PLACES \pm	THIRD ANGLE PROJECTION 	DRAWING A3-SIZE	SERIES 95503	MATERIAL NUMBER SEE CHART	CUSTOMER GENERAL MARKET	SHEET NUMBER 4 OF 5	
	DRAFT WHERE APPLICABLE MUST REMAIN WITHIN DIMENSIONS	PRODUCT CUSTOMER DRAWING						

TUBE PACKAGING, SEE PACKAGING SPEC. PK 95003

SHEET 2


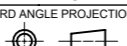
HOUSING SIZE	LOADED CONTACTS
4	4
6	4
6	6
8	8

PART NO. FOR JACK ASSEMBLY S.M.T. STANDARD VERSION							
LCP FIBER GLASS FILLED UL-94V0 COLOR BLACK.							
NO KEY	TOOLED	KEY	TOOLED	NO KEY	TOOLED		TOOLED
NO RIB	TOOLED	NO RIB	TOOLED	RIB	TOOLED		TOOLED
95503-6451	X						
95503-6651	X						
95503-6671	X						
95503-6891	X			95503-6887	X		

PART NO. FOR JACK ASSEMBLY S.M.T. SHORT VERSION							
LCP FIBER GLASS FILLED UL-94V0 COLOR BLACK.							
NO KEY	TOOLED	KEY	TOOLED	NO KEY	TOOLED		TOOLED
NO RIB	TOOLED	NO RIB	TOOLED	RIB	TOOLED		TOOLED
95503-6894	X						

TOOLED	X
NOT TOOLED	

NOTES:
PLATING: SEE SHEET 1

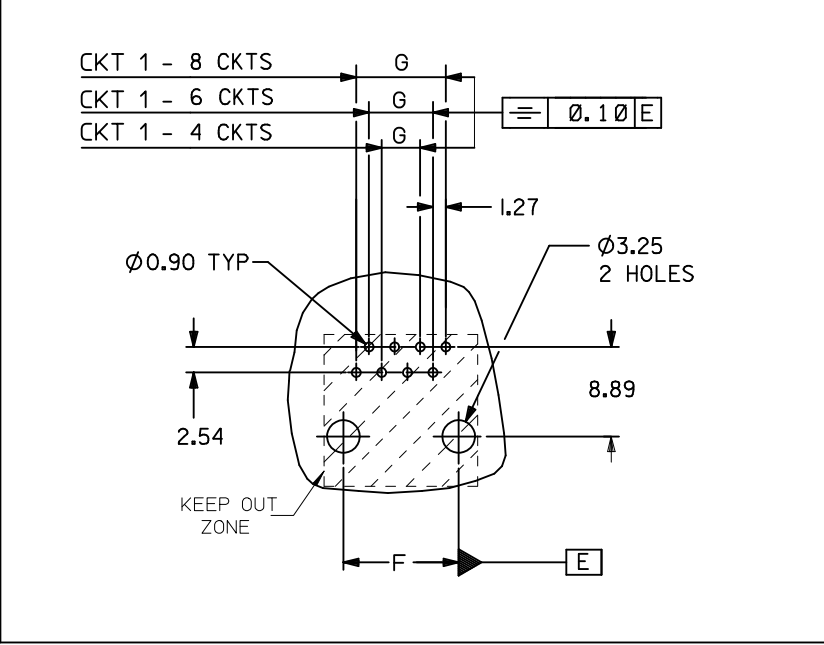
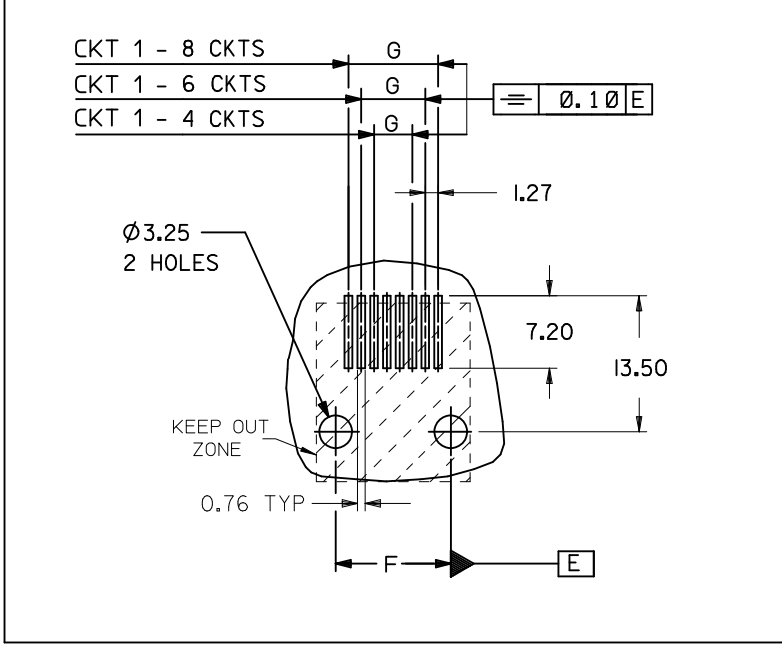
FUNCTIONAL SYMBOLS	THIS DRAWING CONTAINS INFORMATION THAT IS PROPRIETARY TO MOLEX ELECTRONIC TECHNOLOGIES, LLC AND SHOULD NOT BE USED WITHOUT WRITTEN PERMISSION		 LOW PROFILE TOP ENTRY JACK (THROUGH HOLE VERSION)				
	$\nabla_A = 0$ $\nabla_B = 0$ $\nabla_C = 0$	DIMENSION UNITS: mm SCALE: 1:1				CURRENT REV DESC: ADD "MXCH" AS MANUFACTURING I.D. SEE NOTE 6. EC NO: 641518 DRWN: BCAFFREY APPR: KLANG	2017/07/05 2020/08/25 2020/08/25
DIVISIONAL SYMBOLS	GENERAL TOLERANCES (UNLESS SPECIFIED)		DOCUMENT NUMBER				
	ANGULAR TOL $\pm 0.5^\circ$ 4 PLACES \pm 3 PLACES \pm 2 PLACES ± 0.15 1 PLACE ± 0.25 0 PLACES \pm	INITIAL REVISION: DRWN: TMARTIN APPR: KNOLLER	2005/06/29 2005/07/04	SD-95503-003	PSD 001 H		
DRAFT WHERE APPLICABLE MUST REMAIN WITHIN DIMENSIONS		THIRD ANGLE PROJECTION	DRAWING	SERIES	MATERIAL NUMBER	CUSTOMER	SHEET NUMBER
			A3-SIZE	95503	SEE CHART	GENERAL MARKET	5 OF 5

TYPE DIM.	POS. 4	POS. 6		POS. 8
	4 CKTS.	4 CKTS.	6 CKTS.	8 CKTS.
F ±0.05	7.62	10.16	10.16	11.43
G ±0.05	3.81	3.81	6.35	8.89

P.C.B MOUNTING PATTERNS - SEEN FROM COMPONENT SIDE

FOR SMT JACK (SURFACE MOUNT)

FOR STANDARD JACK (THROUGH HOLE)



NOTES:
ALL DIMENSIONS REF DIMENSIONS

REMOVED INCHES	DESCRIPTION
EC NO: E2012-0079	2011/03/04
DRWN: JCONNOR	2011/09/28
CHKD:	
APPR: EFOLAN	
REV	

QUALITY SYMBOLS	GENERAL TOLERANCES (UNLESS SPECIFIED)
▽=0	mm INCH
∇=0	4 PLACES ± --- ± ---
	3 PLACES ± --- ± ---
	2 PLACES ± 0.15 ± ---
	1 PLACE ± 0.25 ± ---
	ANGULAR ± .5 °
	DRAFT WHERE APPLICABLE MUST REMAIN WITHIN DIMENSIONS

DIMENSION STYLE	SCALE	DESIGN UNITS
MM ONLY	1:1	METRIC
DRAWN BY	DATE	TITLE
TMARTIN	2005/06/15	LOW PROFILE T/E JACK
CHECKED BY	DATE	
FCARABETTA	2005/06/15	
APPROVED BY	DATE	
KNOLLER	2005/06/15	
MATERIAL NO.	DOCUMENT NO.	SHEET NO.
SEE SHT. 4, 5	SD-95503-003	3 OF 5
SIZE	THIS DRAWING CONTAINS INFORMATION THAT IS PROPRIETARY TO MOLEX INCORPORATED AND SHOULD NOT BE USED WITHOUT WRITTEN PERMISSION	
A3		

THIRD ANGLE PROJECTION
MOLEX INCORPORATED

HOUSING SIZE	LOADED CONTACTS
4	4
6	4
6	6
8	8

PART NO FOR JACK ASSEMBLY
THROUGH HOLE STANDARD VERSION

LCP FIBER GLASS FILLED 94V0 COLOR BLACK					
NO KEY	TOOLED	KEY	TOOLED		TOOLED
NO RIB	TOOLED	NO RIB	TOOLED		TOOLED
95503-2441	X				
95503-2641	X				
95503-2661	X				
95503-2881	X	95503-2882	X		

TRAY PACKAGING
SEE PACKAGING SPEC PK-95003 SHEET 1

PART NO FOR JACK ASSEMBLY
THROUGH HOLE SHORT VERSION

LCP FIBER GLASS FILLED 94V0 COLOR BLACK					
NO KEY	TOOLED	KEY	TOOLED		TOOLED
NO RIB	TOOLED	NO RIB	TOOLED		TOOLED
95503-2884	X				

TRAY PACKAGING
SEE PACKAGING SPEC PK-95003 SHEET 1

PART NO FOR JACK ASSEMBLY
THROUGH HOLE STANDARD VERSION

LCP FIBER GLASS FILLED 94V0 COLOR BLACK					
NO KEY	TOOLED	KEY	TOOLED		TOOLED
NO RIB	TOOLED	NO RIB	TOOLED		TOOLED
95503-2440	X				
95503-2640					
95503-2660					
95503-2880	X				

TAPE AND REEL PACKAGING
SEE PACKAGING SPEC PK-95503 SHEET 1

TOOLED	<input checked="" type="checkbox"/>
NOT TOOLED	<input type="checkbox"/>

NOTES:
PLATING: SEE SHEET ONE

ADDED PLATING OPTION EC NO: IPG2013-0151 DRW: DBYRNES 2012/07/31 CHK: SMC GREVY 2012/07/31 APPR: J WALLACE 2012/07/31	QUALITY SYMBOLS	GENERAL TOLERANCES (UNLESS SPECIFIED)	DIMENSION STYLE MM ONLY	SCALE ---	DESIGN UNITS METRIC	THIRD ANGLE PROJECTION	
	▽=0 ◻=0	mm INCH 4 PLACES ± --- ± --- 3 PLACES ± --- ± --- 2 PLACES ± --- ± --- 1 PLACE ± --- ± --- ANGULAR ± ---°	DRAWN BY: TMARTIN DATE: 2005/06/16 CHECKED BY: FCARABETTA DATE: 2005/06/16 APPROVED BY: KNOLLER DATE: 2005/06/16	TITLE	LOW PROFILE T/E JACK THROUGH HOLE VERS.		
		DRAFT WHERE APPLICABLE MUST REMAIN WITHIN DIMENSIONS	SEE CHART	MATERIAL NO.	DOCUMENT NO.	SHEET NO.	
				SD-95503-003	MOLEX INCORPORATED		4 OF 5