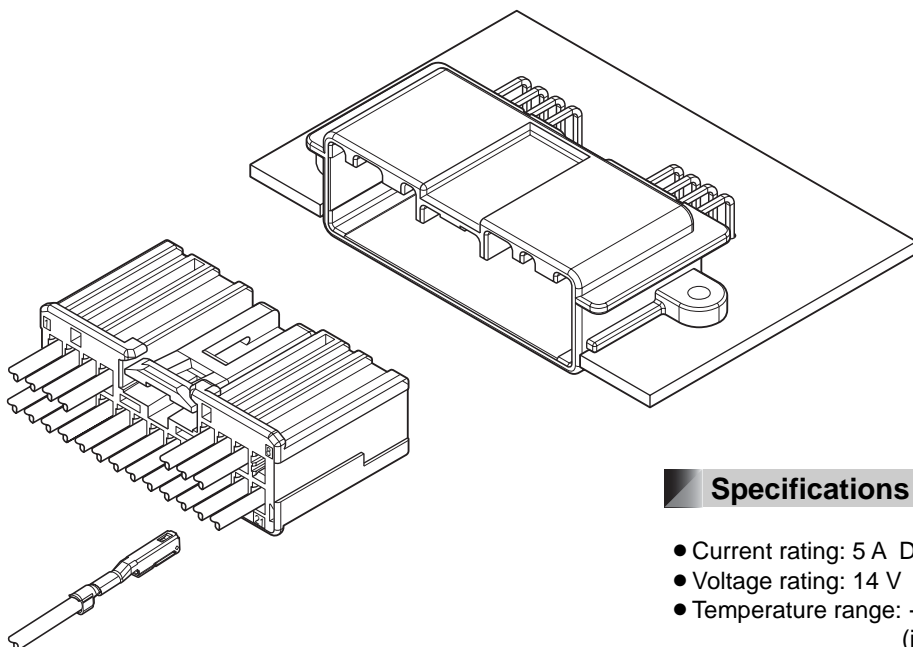


21 Circuits 0.64 Unsealed Connector system.  
Ultra low profiled design for high density PCB  
placement.

### Features

- 21 Circuits: 0.64 Unsealed Connector
- Unique PCB mounting, low profile side entry design
- Varieties of Color and Key code options are available

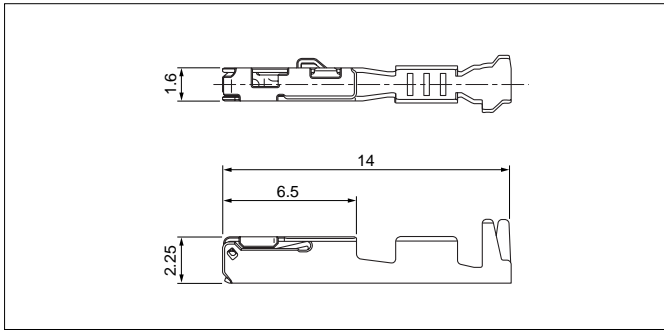


### Specifications

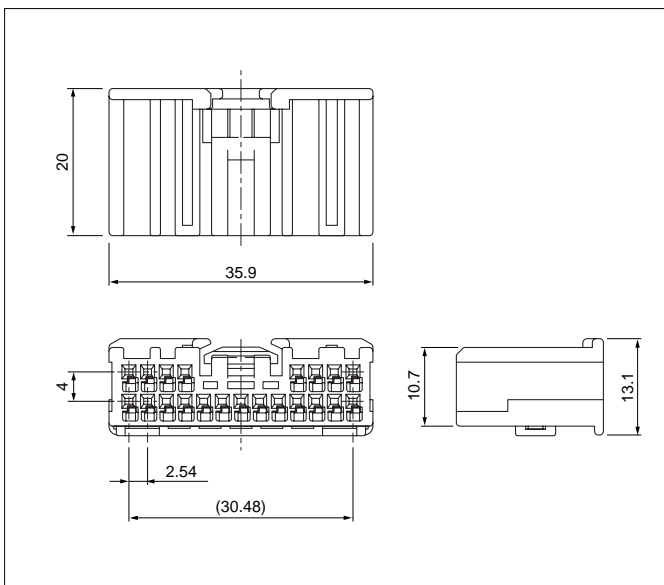
- Current rating: 5 A DC max.
- Voltage rating: 14 V DC
- Temperature range: -40°C to +125°C  
(including temperature rise in applying electrical current)
- Contact resistance: Initial value/ 15 mΩ max.  
After environmental tests/ 15 mΩ max.
- Insulation resistance: 100 MΩ min.
- Applicable wire: SAE/AVSS/CAVS  
0.3 mm<sup>2</sup> to 0.8 mm<sup>2</sup>

- \* Compliant with ELV/RoHS.
- \* Contact JST for details.

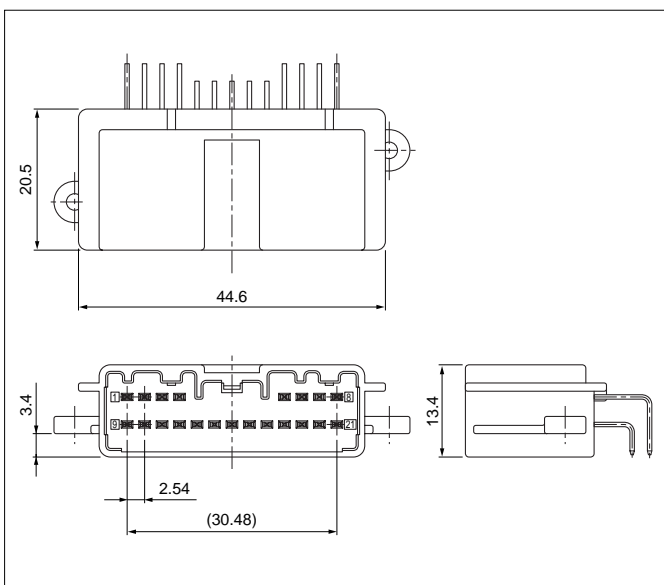
## Female terminal



## Female connector



## Male connector



Model No.	Applicable wire range		Q'ty/reel
	Conductor (mm <sup>2</sup> )	Insulation O.D. (mm)	
①SAIT-A03T-M064	0.3 to 0.5	≤1.9	6,500
①SAIT-A02T-M064	0.75 to 0.8	≤1.9	6,500
②SAIT-A03GF-M064	0.3 to 0.5	≤1.9	6,500
②SAIT-A02GF-M064	0.75 to 0.8	≤1.9	6,500

### Material and Finish

- ① Copper alloy, tin-plated (reflow treatment)
- ② Copper alloy, nickel-undercoated, Contact area; gold-plated  
Barrel area; tin-plated

Circuits	Model No.	Key Code	Q'ty/box	Housing Color	TPA Color
21	ATLPB-21-2AK	A	1,500	Black	Natural (White)
	ATLPB-21-2BH	B	1,500	Gray	Natural (White)
	ATLPB-21-2CD	C	1,500	Orange	Black
	ATLPB-21-2DD	D	1,500	Orange	Natural (White)

### Material and Finish

Housing: PBT  
TPA: Glass-filled PBT

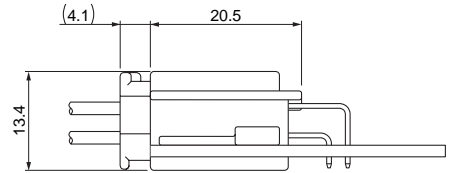
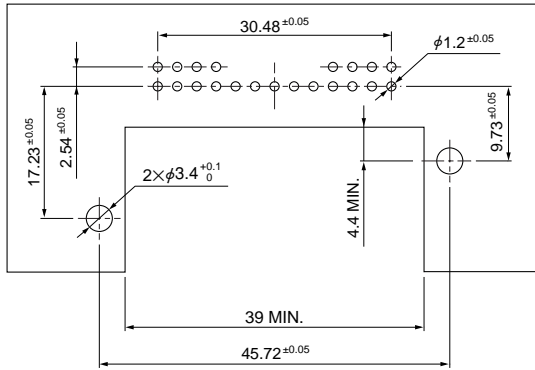
Circuits	Model No.	Key Code	Q'ty/box	Housing Color
21	S21BA-ATL-2AK	A	700	Black
	S21BA-ATL-2BH	B	700	Gray
	S21BA-ATL-2CD	C	700	Orange
	S21BA-ATL-2DD	D	700	Orange

### Material and Finish

Housing: Glass-filled PBT  
Pin: Brass, tin-plated

# ATL CONNECTOR

## PC board layout, Assembly layout



## Crimping machine, Applicator

Strip terminal	Crimping machine	Crimp applicator MKS-L	
		Dies	Crimp applicator with dies
<b>SAIT-A03(-)-M064</b>	AP-K2N	MK/SAIT-A03-064	APLMK SAIT-A03-064
<b>SAIT-A02(-)-M064</b>		MK/SAIT-A02-064	APLMK SAIT-A02-064

Note: When crimping operation is conducted using an applicator and die set other than the above, JST cannot guarantee the performance of the terminal.