

- NOTES:**
- MATERIAL:**
 - HOUSING: THERMOPLASTIC, HIGH TEMP, UL94 V-0, COLOR: BLACK.
 - CONTACTS: COPPER ALLOY.
 - DUMMY CARD: THERMOPLASTIC, HIGH TEMP, UL94 V-0, COLOR: BLACK.
 - FINISH:**

CONTACT:

SELECTIVE GOLD PLATING ON THE CONTACT AREA.
 100μ" MIN. MATTE-TIN PLATING ON THE SOLDERTAILS,
 50μ" MIN. NICKEL UNDERPLATING OVERALL.
 - PRODUCT SPEC.:** PS-GEN4-01
 - PACKAGING SPEC:** 312604001

PART NO.

91613 - 1 1 0 X X X D XX

- Ridge Options**
 - 1: With Ridge
- HSG Color**
 - 1: Black
- Ear Options**
 - 0: With Mount Ear
- Contact Plating**
 - 0: 30u" Gold
 - 1: 15u" Gold
 - 2: Gold Flash
- Halogen Options**
 - Blank: Halogen
 - HF: Halogen Free
- Packaging Options**
 - D: Tray + Dummy Card
- No. of Pins**
 - 0: 36P
 - 1: 64P
 - 2: 98P
 - 3: 164P
- PCB Thickness Options "DIM.K"**
 - 0: 2.08mm
 - 1: 2.30mm
 - 2: 1.80mm
 - 4: 1.57mm

PCB Thickness "DIM. K"	DIM.M	
0	2.08	2.55
1	2.30	2.55
2	1.80	2.55
4	1.57	1.70

POSITION	DIMENSIONS				
	A ±0.20	B ± 0.08	C ±0.20	D ±0.25	E ±0.35
36	6	7.65	12.3	25	34.8
64	20	21.65	26.3	39	48.8
98	37	38.65	43.3	56	65.8
164	70	71.65	76.3	89	98.8

				TOLERANCE	
REV	ECN NO.	NAME	DATE	.XXX±0.10	.XXX'±
A3	----	Lin xuejun	Oct,13,2022	LINEAR	ANGLES
A2	----	Lei Songping	Mar,08,2022	X.±0.40	X'.±
A1	----	Lei Songping	Dec,25,2020	.X±0.30	.X'±
A	20021	Lei Songping	Nov,11,2020	.XX±0.20	.XX'±

UMax conn 东莞市友贸实业有限公司
 DONGGUAN UMAXCONN ENTERPRISE LIMITED

APPD: Jason MAT'L:

CHKD: Schumi FINISH:

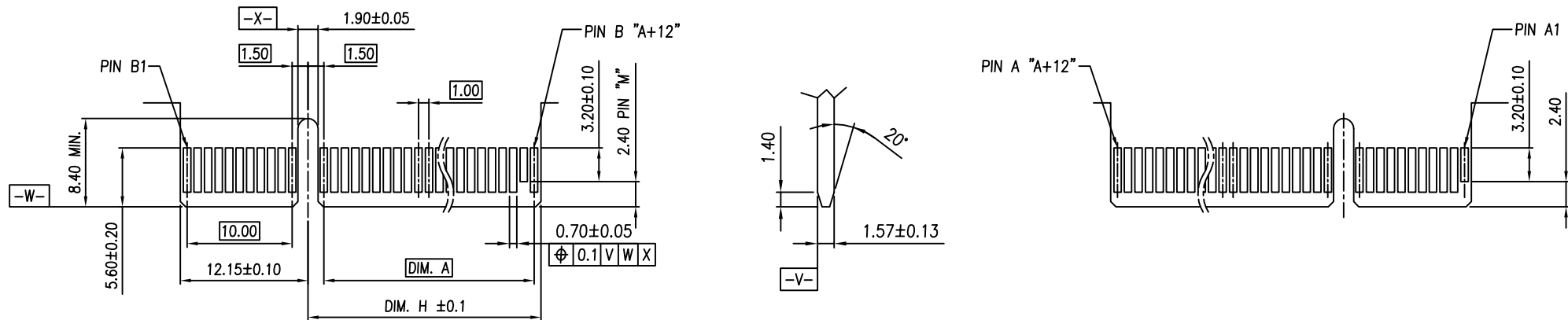
DRWN: Lucy Q'TY:

TITLE: PCI EXPRESS 4.0 STRADDLE MOUNT TYPE

PART NO. 91613-110X4DXX

DWG NO. C-91613

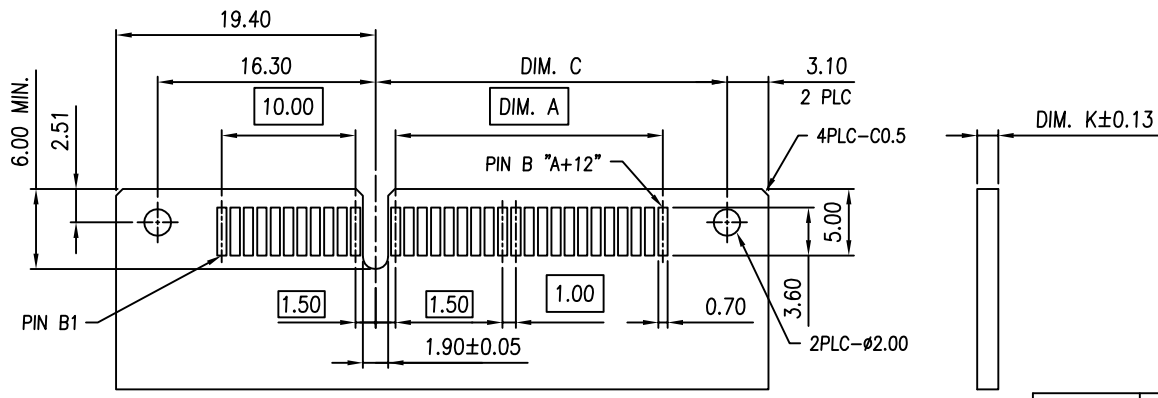
UNITS	SCALE	SHEET	REV
MM	1 : 1	3 OF 3	A3



← I/O PANEL DIRECTION
PRIMARY (COMPONENT) SIDE

NOTES:
CHAMFER EDGE MUST BE FREE OF CUTTING BURRS

SECONDARY (SOLDER) SIDE



RECOMMENDED PCB LAYOUT

TOLERANCE: ±0.05

POS.	DIM. A	DIM. C	DIM. H	"M"
36	6	12.3	8.15	B17
64	20	26.3	22.15	B31
98	37	43.3	39.15	B48
164	70	76.3	72.15	B81

TOLERANCE	
LINEAR	ANGLES
X.±0.40	X'±
.X±0.30	.X'±
.XX±0.20	.XX'±
.XXX±0.10	.XXX'±

UMax conn 东莞市友贸实业有限公司
DONGGUAN UMAXCONN ENTERPRISE LIMITED

APPD: Jason MAT'L:
CHKD: Schumi FINISH:
DRWN: Lucy Q'TY:

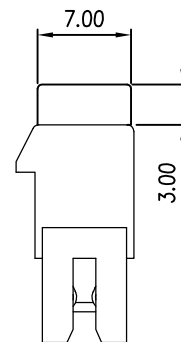
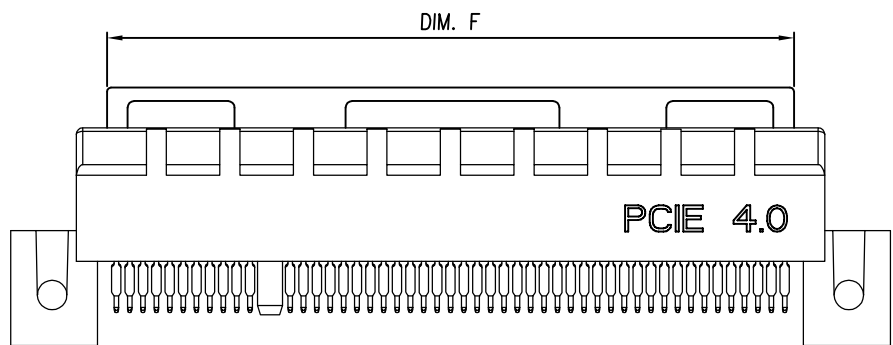
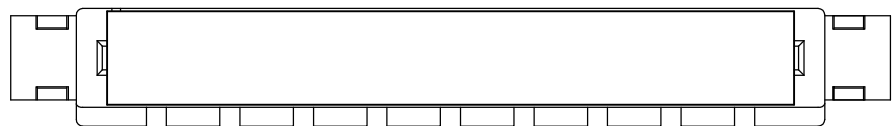
TITLE: PCI EXPRESS 4.0 STRADDLE MOUNT TYPE

PART NO. 91613-110X4XDXX

DWG NO. C-91613

UNITS	SCALE	SHEET	REV
			A3

See Sheet 1			
REV	ECN NO.	NAME	DATE



DIMENSIONS	
POSITION	DIM. F
36	20.4
64	34.4
98	51.4
164	84.4

TOLERANCE	
LINEAR	ANGLES
X.±0.40	X'±
.X±0.30	.X'±
.XX±0.20	.XX'±
.XXX±0.10	.XXX'±

UMax conn 东莞市友贸实业有限公司
DONGGUAN UMAXCONN ENTERPRISE LIMITED

TITLE: PCI EXPRESS 4.0 STRADDLE MOUNT TYPE

PART NO. 91613-110X4XDXX

DWG NO. C-91613

See Sheet 1			
REV	ECN NO.	NAME	DATE

APPD: Jason MAT'L:
CHKD: Schumi FINISH:
DRWN: Lucy Q'TY:

	UNITS	SCALE	SHEET	REV
	MM	1 : 1	3 OF 3	A3