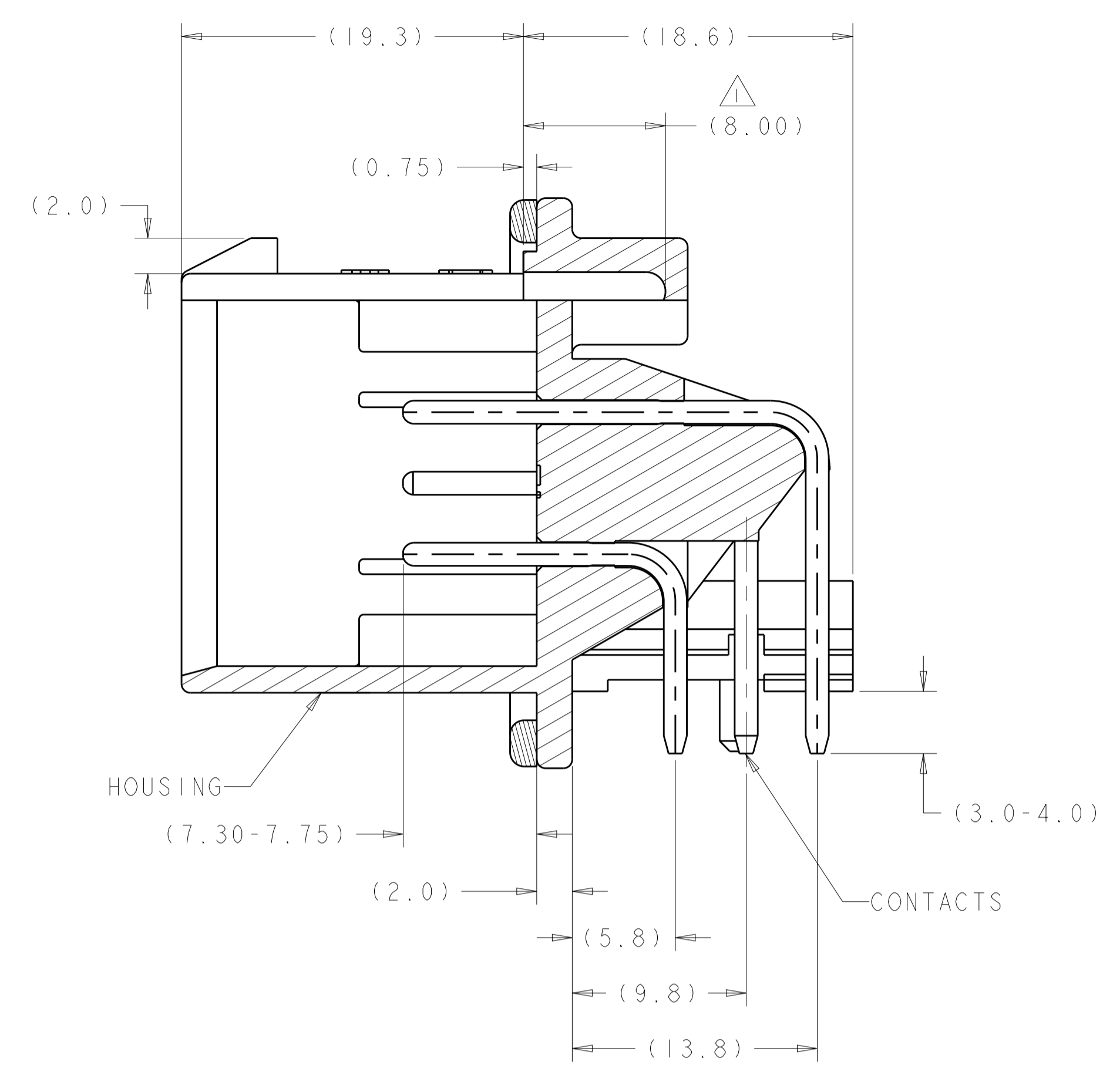
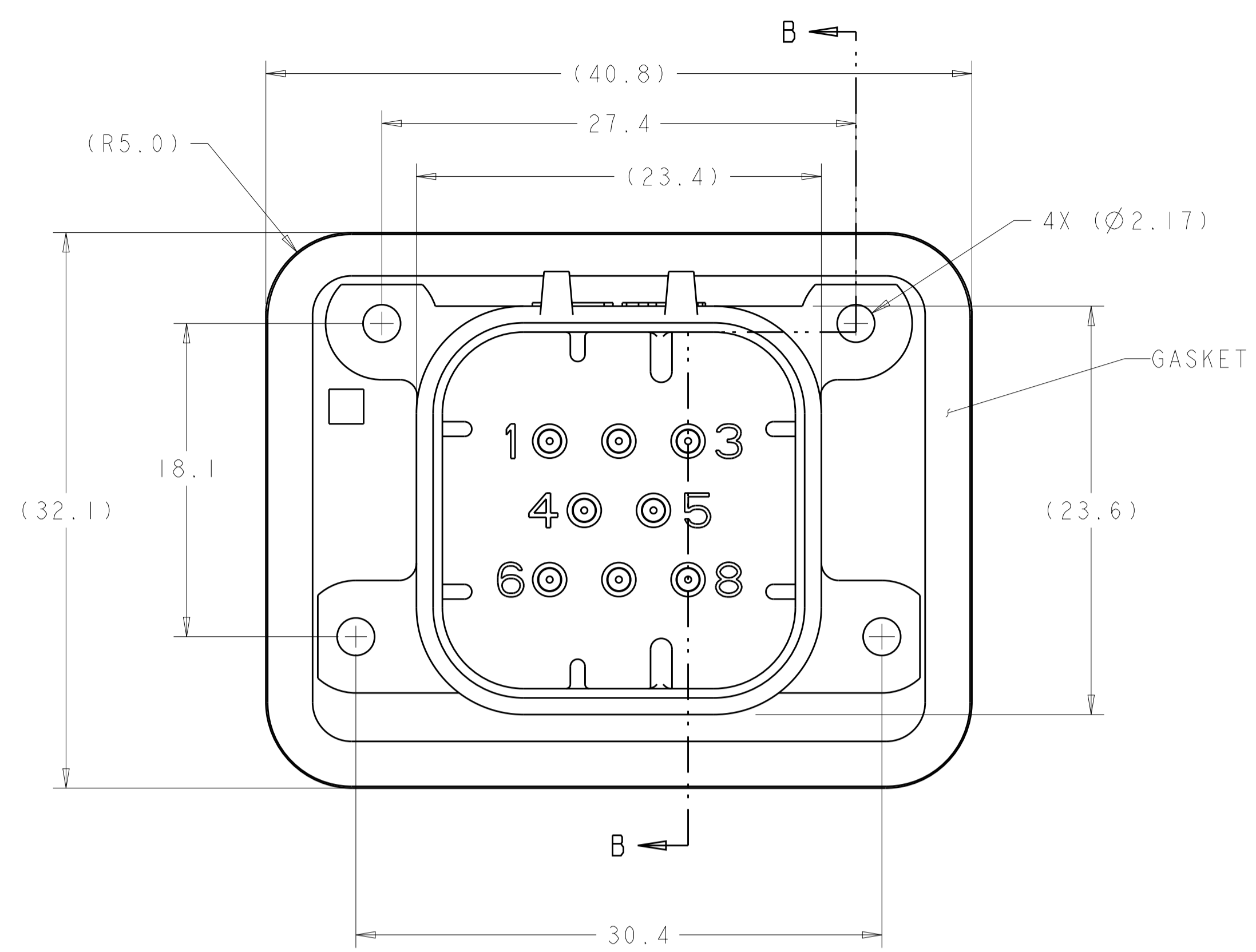
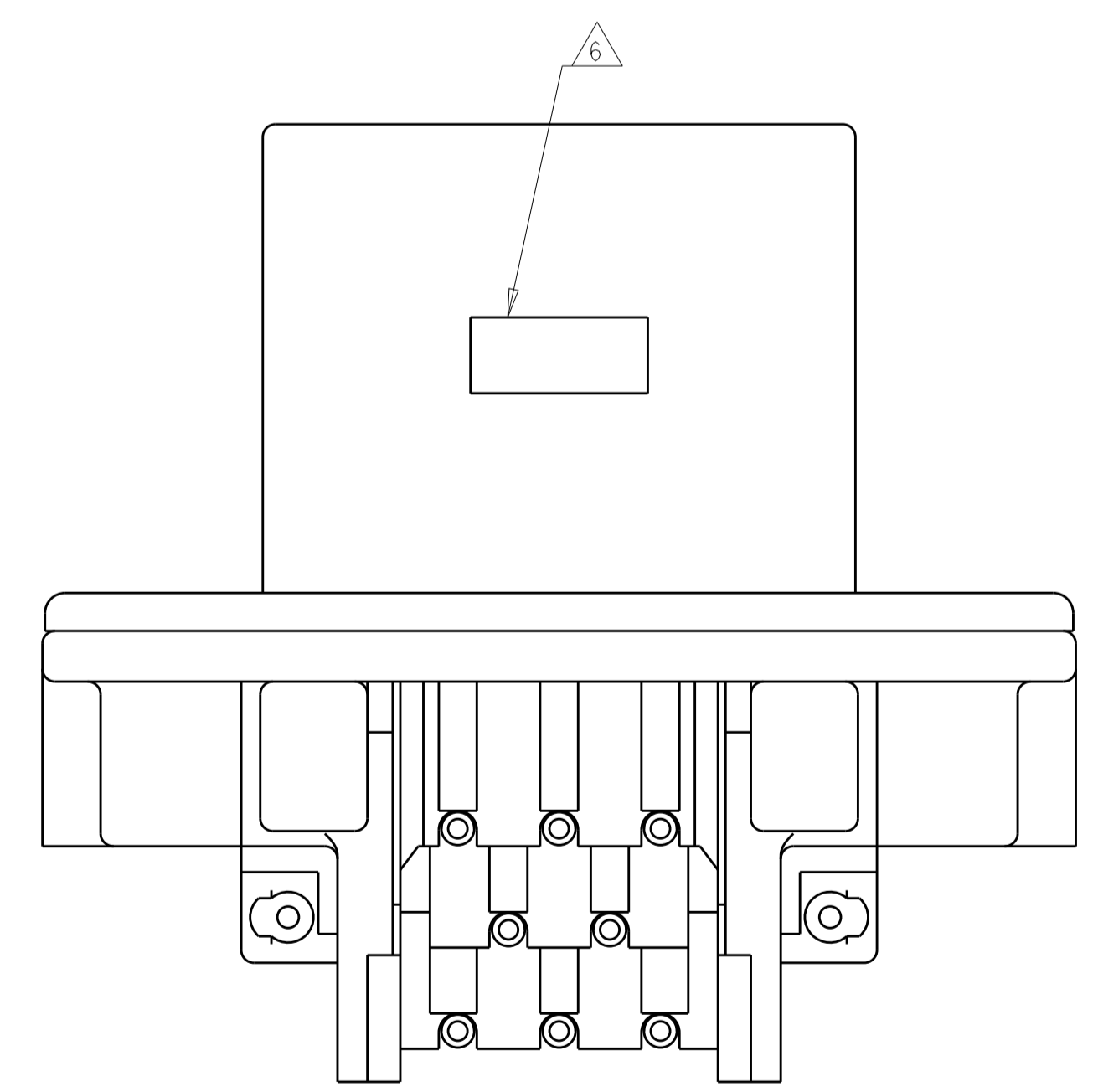


REVISIONS				
P.	LTM	DESCRIPTION	DATE	APVD
F9		REVISED PER ECO-19-009419	20JUN2019	DS DS
F10		REVISED PER ECO-20-004256	25MAR2020	JM DS
F11		REVISED PER PCN E-20-016603	24NOV2020	PN DS



- △ SUGGESTED MOUNTING SCREW SIZE IS Ø2.50-3.00mm [Ø0.099 - 0.118 INCH] SELF TAPPING THREAD FORMING SCREW, SUCH AS DELTA PT, TO BE DRIVEN AT 0.6-0.8 N-m. THE CUSTOMER SHOULD TEST THE SCREW SIZE AND TYPE IN ORDER TO VERIFY THEIR SELECTION FOR THEIR APPLICATION.
- △ HOUSING COLORS ARE MECHANICALLY KEYPED TO MATE ONLY WITH IDENTICALLY COLORED PLUG ASSEMBLIES.
- △ REFER TO PAGE 2 FOR 776280-6 ASSEMBLY DIMENSIONS. RECOMMENDED MOUNTING HOLE AND P.C. BOARD LAYOUT ARE THE SAME FOR ALL DASH NUMBERS.
- 4. HEADER MATES TO PLUG ASSEMBLY 776286 WHICH USES REELED TERMINALS 770520 AND LOOSE PIECE TERMINALS 770854.
- △ MATERIALS: GASKET - SILICONE  
 HEADER HOUSING - GLASS FILLED PBT  
 PINS - TIN OR GOLD PLATED BRASS
- △ DATE CODE TO BE BRANDED IN THIS LOCATION PER TE SPEC 102-60. USE 5 DIGIT CODE: FIRST 2 DIGITS = YEAR, SECOND 2 DIGITS = WEEK, LAST DIGIT = DAY



NATURAL	GOLD PLATED	1-776280-2
BLACK	GOLD PLATED	1-776280-1
BLACK	TIN PLATED	△ 776280-6
NATURAL	TIN PLATED	776280-2
BLACK	TIN PLATED	776280-1
HEADER HOUSING COLOR	PIN	PART NUMBER

THIS DRAWING IS A CONTROLLED DOCUMENT. DWN J. MARKEY 29FEB08  
 CHK J. MARKEY 29FEB08  
 APVD J. MARKEY 29FEB08

TE Connectivity

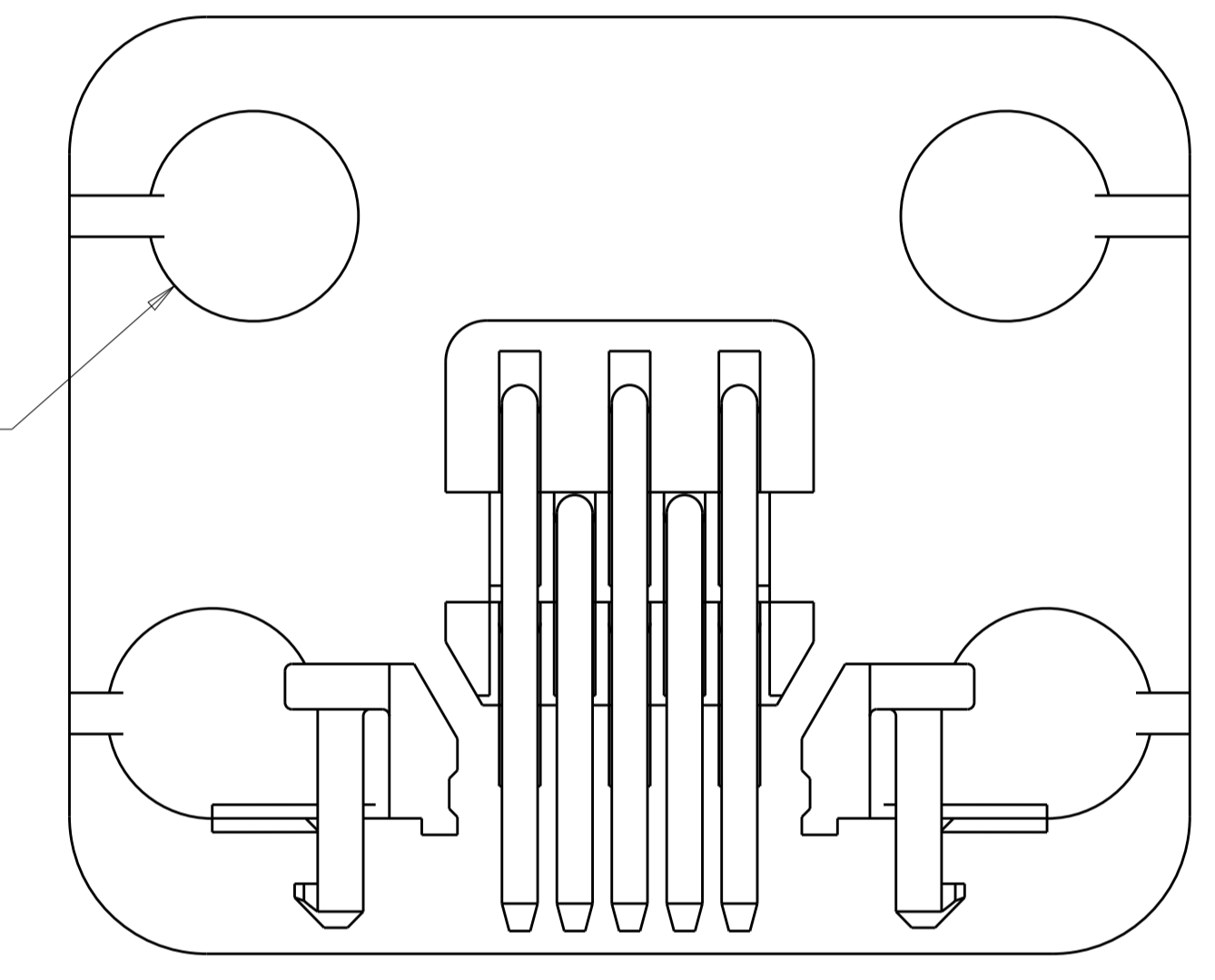
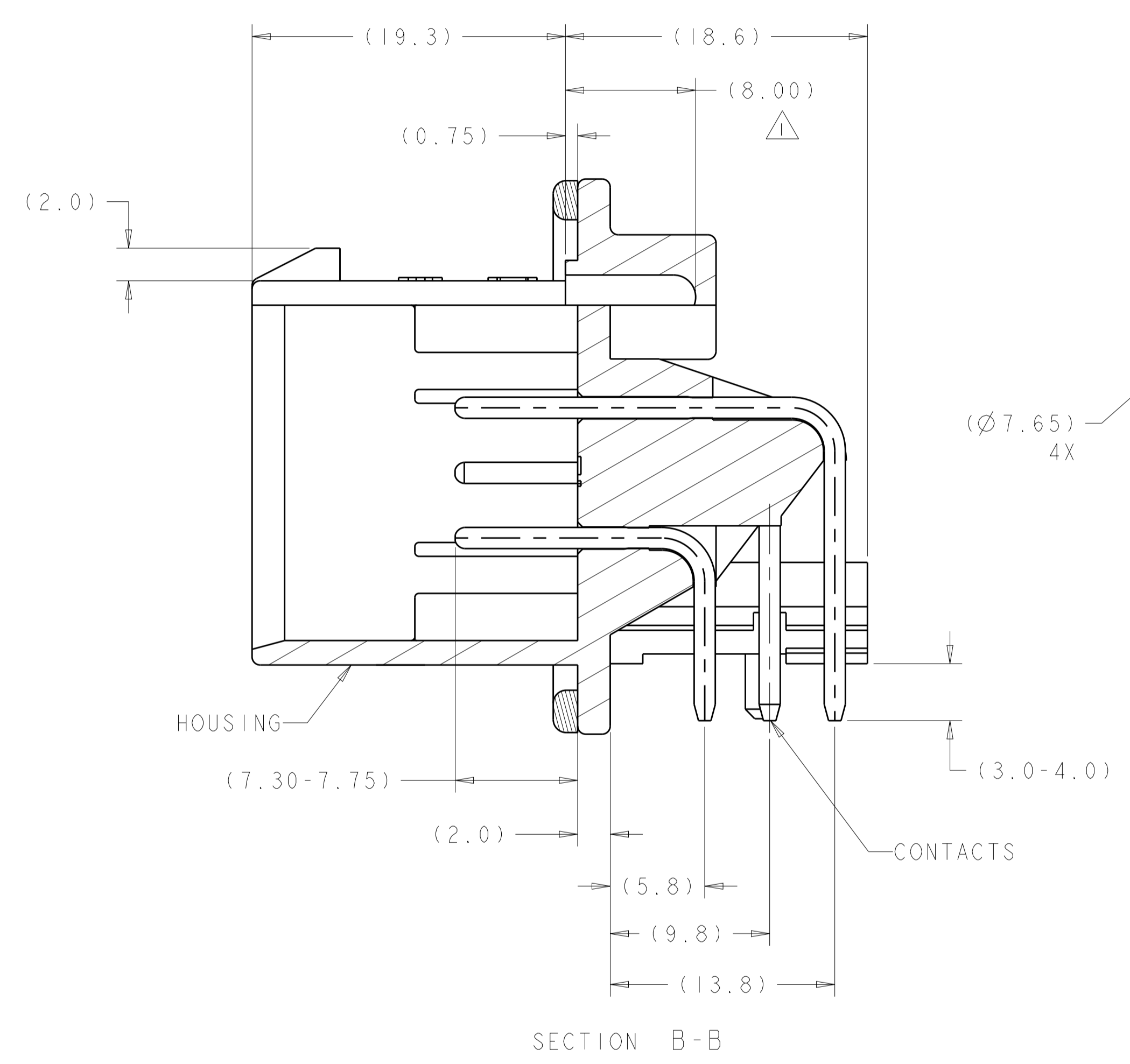
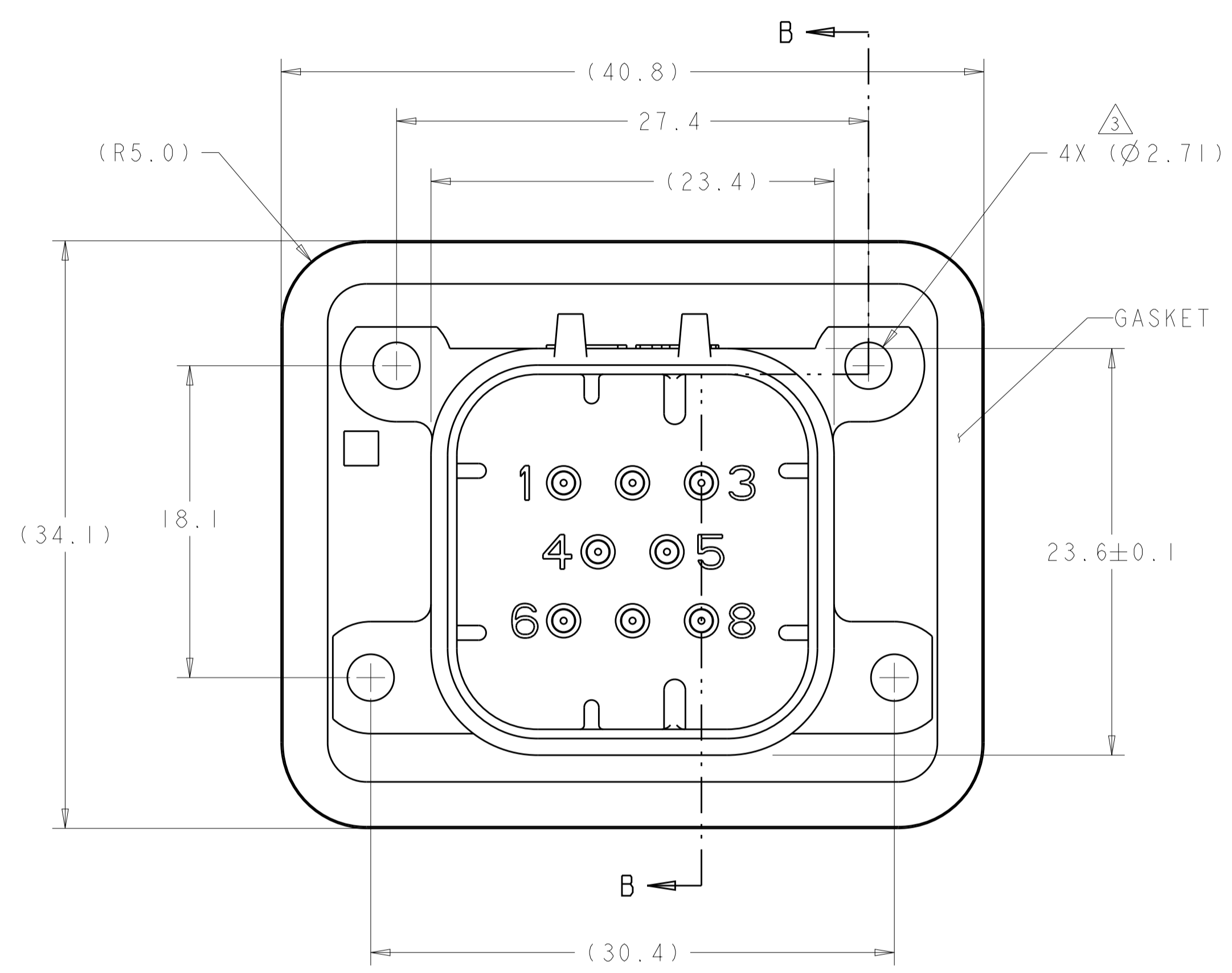
NAME: HEADER ASSEMBLY, 8 POSITION, RIGHT ANGLE, AMPSEAL

PRODUCT SPEC: 108-1329  
 APPLICATION SPEC: 114-16016  
 WEIGHT: 15.82g  
 CUSTOMER DRAWING

SCALE: 4:1 SHEET 1 OF 3

REVISIONS				
P.	LTN.	DESCRIPTION	DATE	APVD.
-	-	SEE SHEET 1	-	-

- △ ACCEPTS #4-20 SELF TAPPING THREAD FORMING TWIN HELIX PLASTITE SCREW (SINGLE HELIX OPTIMAL)
- △ HOUSING COLORS ARE MECHANICALLY KEYED TO MATE ONLY WITH IDENTICALLY COLORED PLUG ASSEMBLIES.
- △ 0° 30' MAX DRAFT FROM TOP OF HOLE (1° INCLUDED ANGLE)

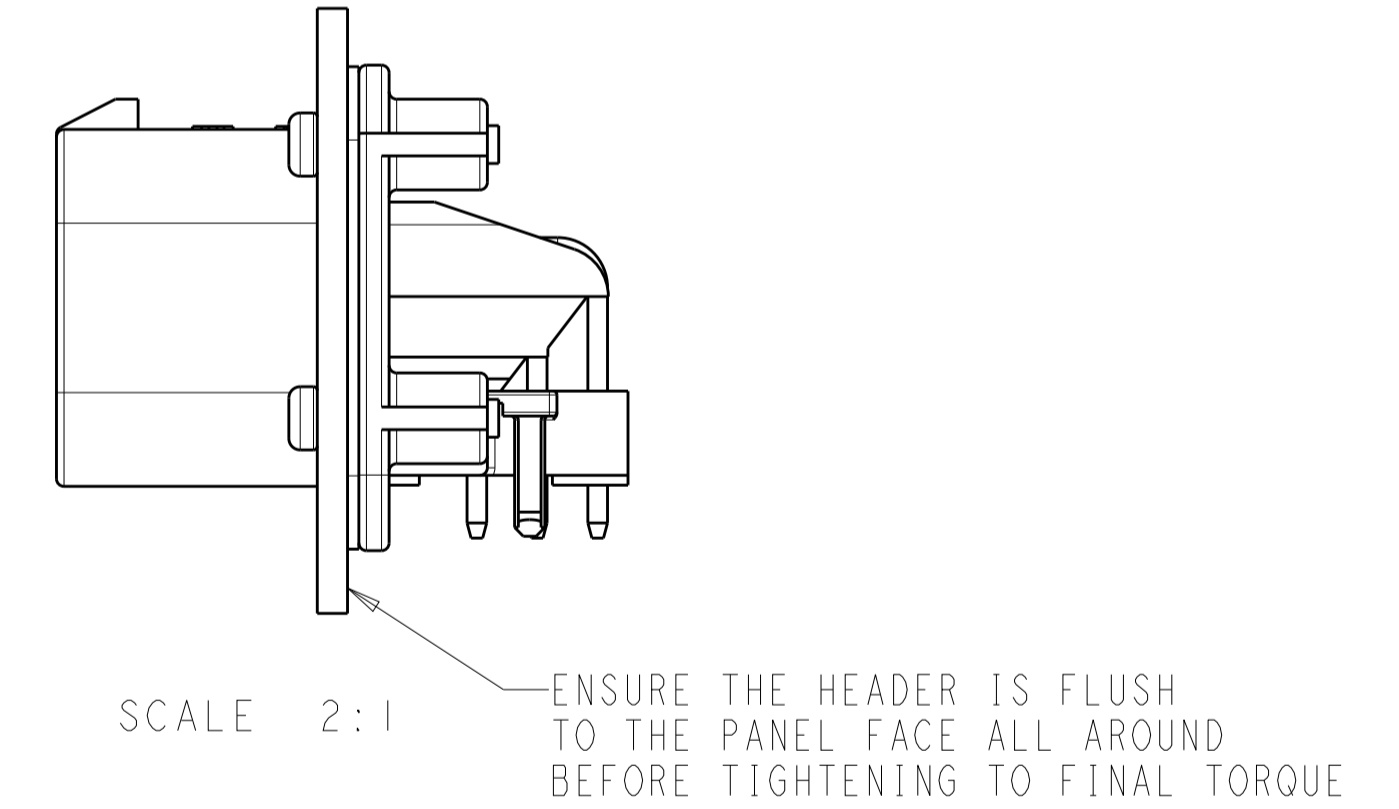
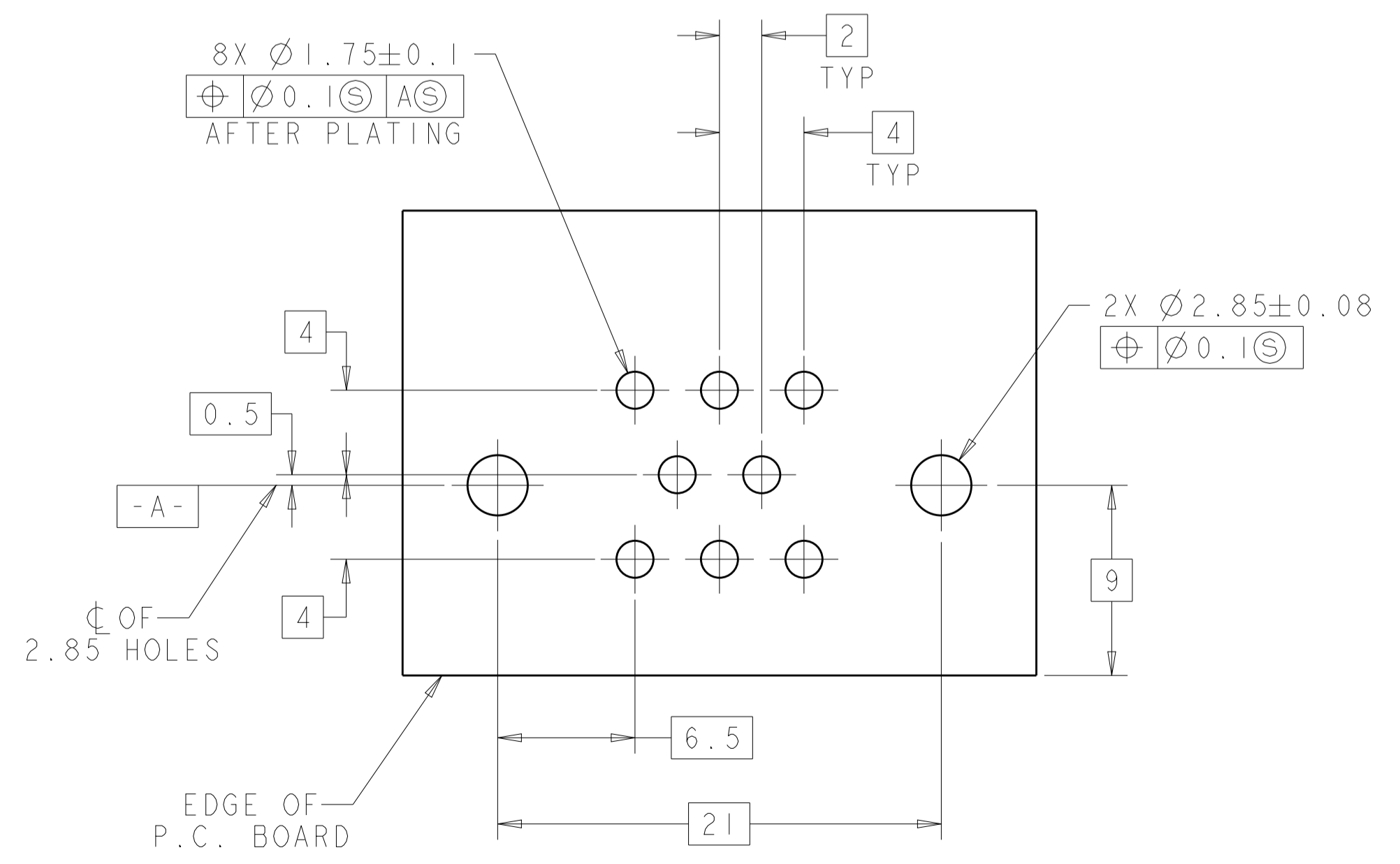
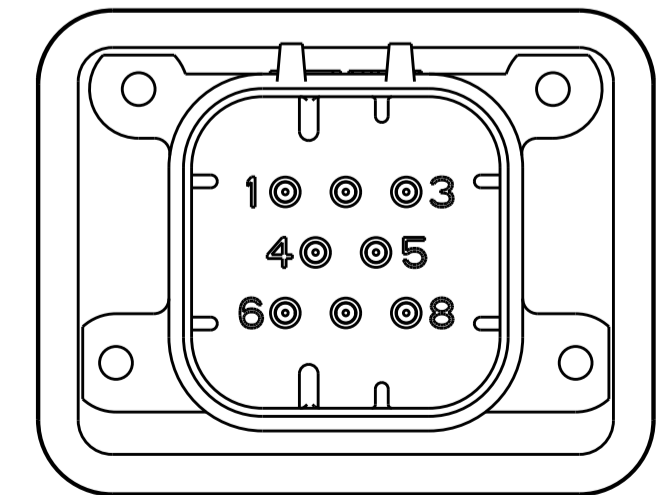
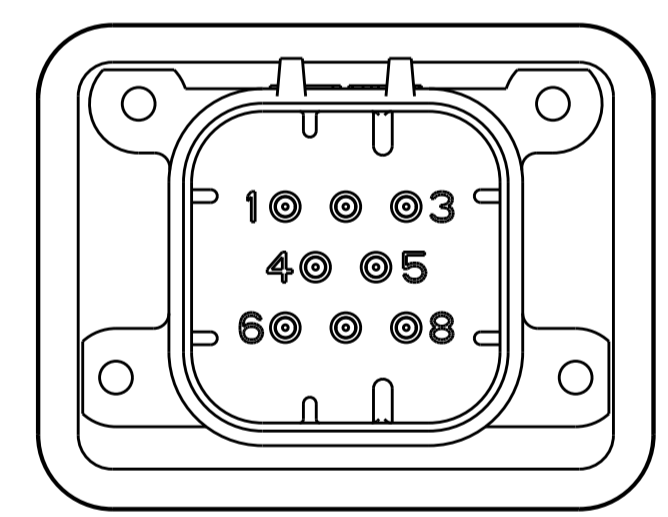
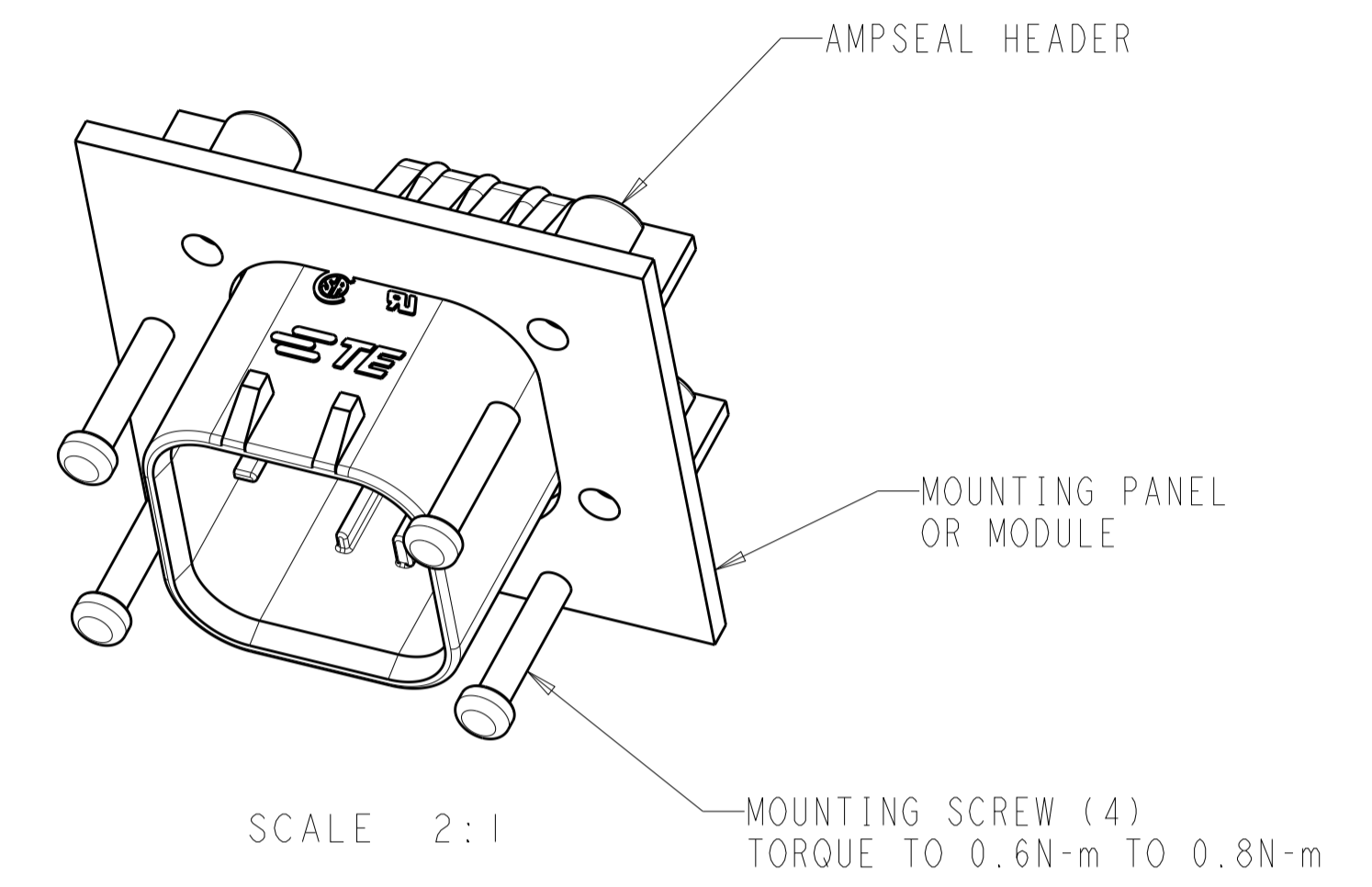
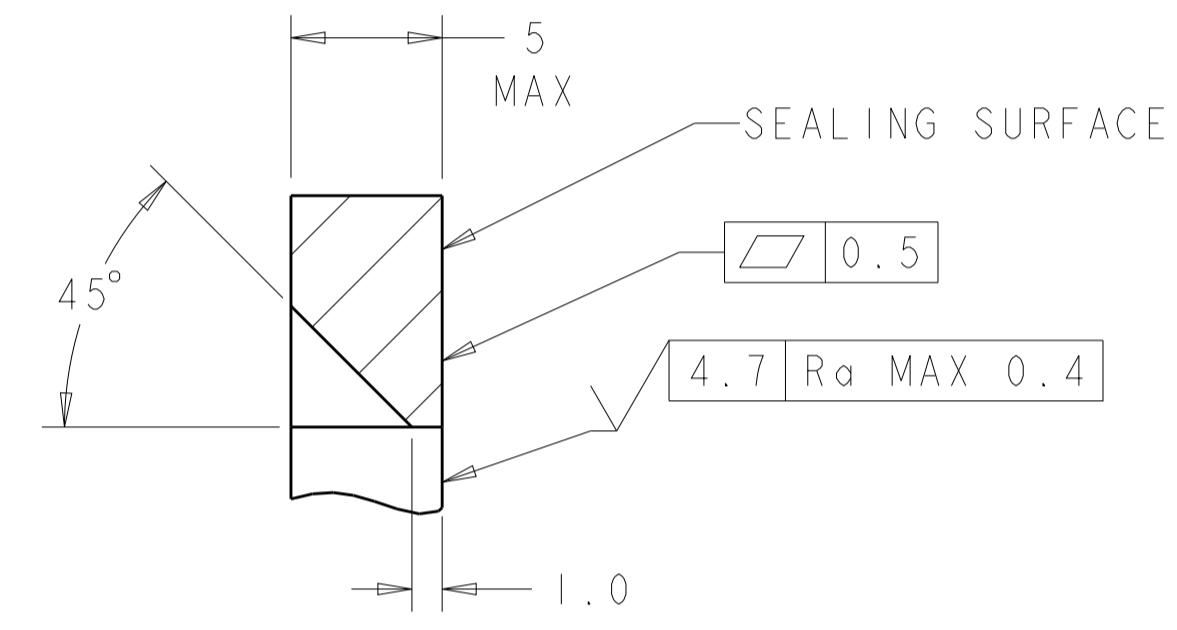
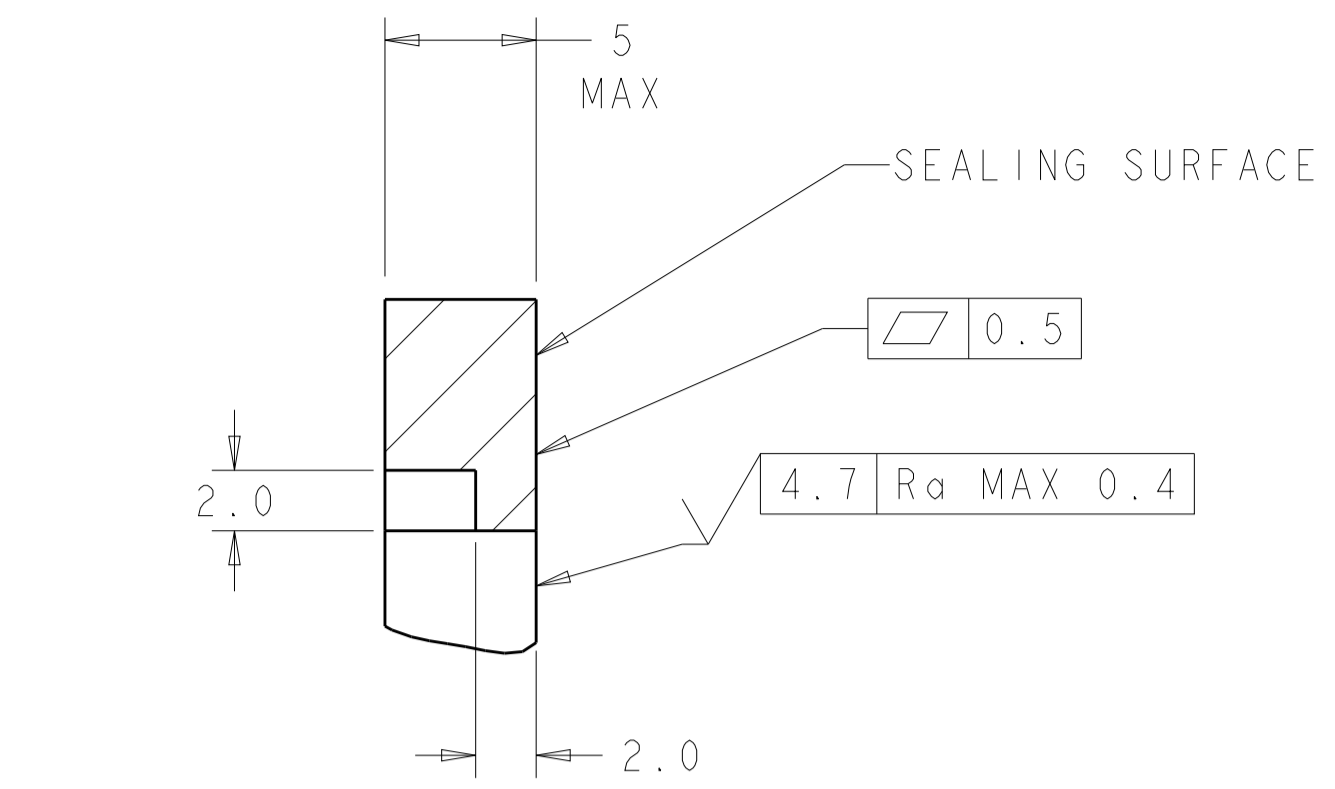
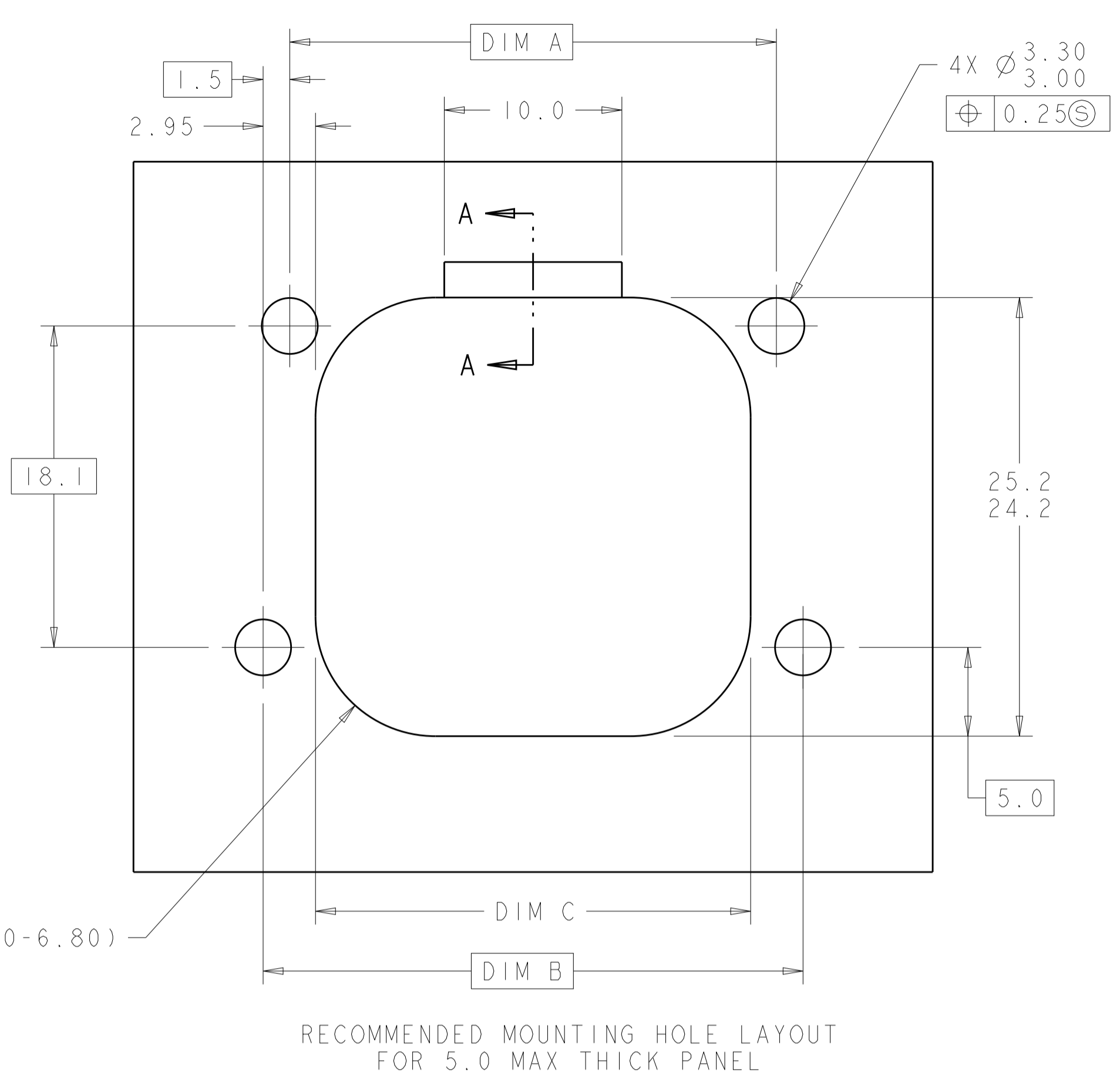


ASSEMBLY DIMENSIONS APPLY TO 776280-6 ONLY  
 (HOLE LAYOUT AND P.C. BOARD LAYOUT SHOWN ON SHEET 1 APPLY TO ALL DASH NUMBERS)

BLACK	TIN PLATED	776280-6
HEADER HOUSING COLOR	PIN	PART NUMBER

THIS DRAWING IS A CONTROLLED DOCUMENT.		DWN J. MARKEY 29FEB08	TE Connectivity
DIMENSIONS: mm		CHK J. MARKEY 29FEB08	
TOLERANCES UNLESS OTHERWISE SPECIFIED:		APVD J. MARKEY 29FEB08	
0 PLC ± 1 PLC ±0.2 2 PLC ± 3 PLC ± 4 PLC ± ANGLES ±		NAME 108-1329 APPLICATION SPEC 114-16016 WEIGHT 15.82g CUSTOMER DRAWING	
MATERIAL FINISH		SIZE A100779	C=776280 SCALE 2:1 SHEET 2 OF 3 REV F

REVISIONS				
P.	LTN.	DESCRIPTION	DATE	APVD.
-	-	SEE SHEET 1	-	-



THIS DRAWING IS A CONTROLLED DOCUMENT.		DWN J. MARKEY 29FEB08 CHK J. MARKEY 29FEB08 APVD J. MARKEY 29FEB08	TE Connectivity
DIMENSIONS: mm 	TOLERANCES UNLESS OTHERWISE SPECIFIED: 0 PLC ± 1 PLC ±0.2 2 PLC ± 3 PLC ± 4 PLC ± ANGLES ±	NAME PRODUCT SPEC APPLICATION SPEC SIZE WEIGHT CUSTOMER DRAWING	