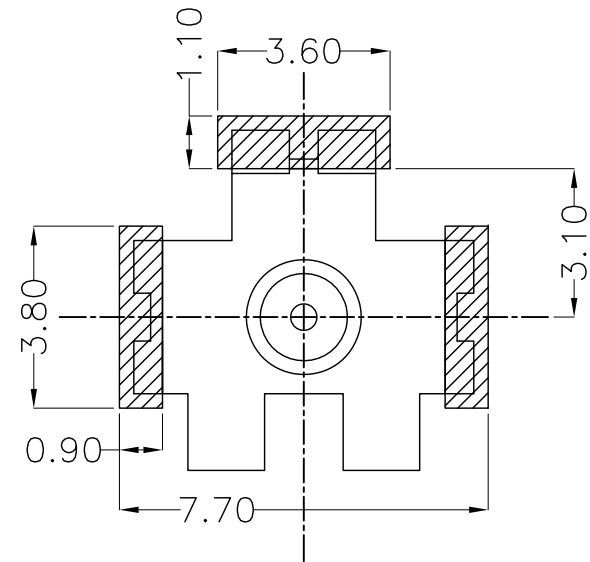
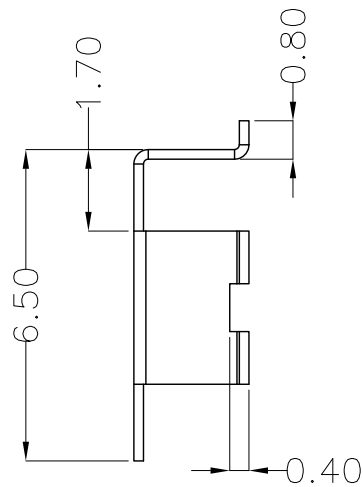
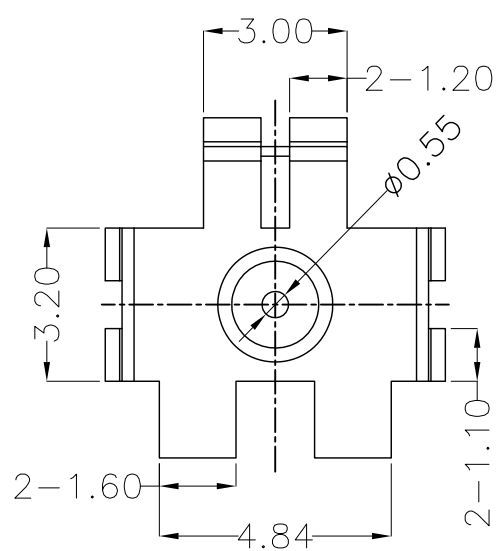
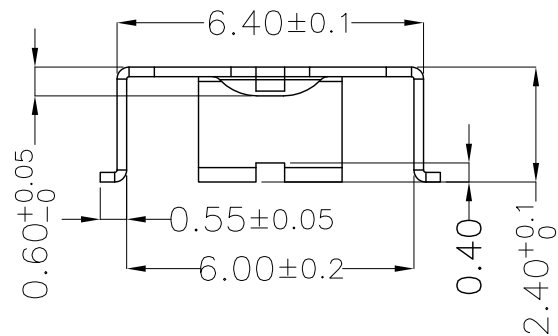




REV.	ECN NO.	REVISED	DATE



PCB Layout Diagram  
Top View



UNLESS OTHERWISE SPECIFIED TOLERANCES:±0.10

工程部  
2018-08-20  
LQ. HUANG

UNLESS OTHERWISE SPECIFIED TOLERANCES		<b>MYOUNG 美阳</b> <a href="http://www.meiyangdz.com">www.meiyangdz.com</a>	
DECIMALS: X :±0.30	ANGLES: X :±1°	DSND YangFeng	DATE 2018-08-20
X.X :±0.25	X.X :±0.5	CHKD ZhouRuicai	DATE 2018-08-20
X.XX :±0.20	X.XX :±0.10	APVD XueShunyong	DATE 2018-08-20
WEIGHT: g	SCALE:	SIZE: A4	VIEW:
SHEET 1 OF 1	UNIT: mm	REV.: A/0	OBJECT: MY
TITLE:		MY-521-01	
PART NO.:		DRAW NO.:MY-CP-0113	

1	TERMINAL(+)	1	PHOSPHOR BRONZE, T=0.20mm	Silver-Plating
NO.	PART NAME	Q'TY	MATERIAL	PLATING & COLOR