



REV.	ECN NO.	REVISED	DATE

NOTE:

1.MATERIAL:

a.HOUSING:PBT UL94V-0

b.CONTACT:BRASS

(SURFACE PLATING: Sn100u"-120u")

SEE ORDERING INFORMATION

2.ELECTRIC:

a.CONTACT RESISTANCE: 30 MILLIOHMS MAX

b.INSULATION RESISTANCE: 1000 MEGA OHMS MIN

c.DIELECTNIC VOLTAGE: 500V AC ONE SEC LEVEL

d.OPERATING TEMPERATURE: -25°C~ +85°C

ORDERING INFORMATION

BS-23-A*001**

电池座系列

BS-23系列

DIP 90° TYPE

PLATING:

A-Au1U"

J-Ni100U"~120U"

K-Sn100U"~120U"

MATERIAL:

1A-PBT BLACK

1B-PA66 BLACK

2A-PPA BROWN

2B-PPA BLACK

3A-PPS BROWN

3B-PPS BLACK

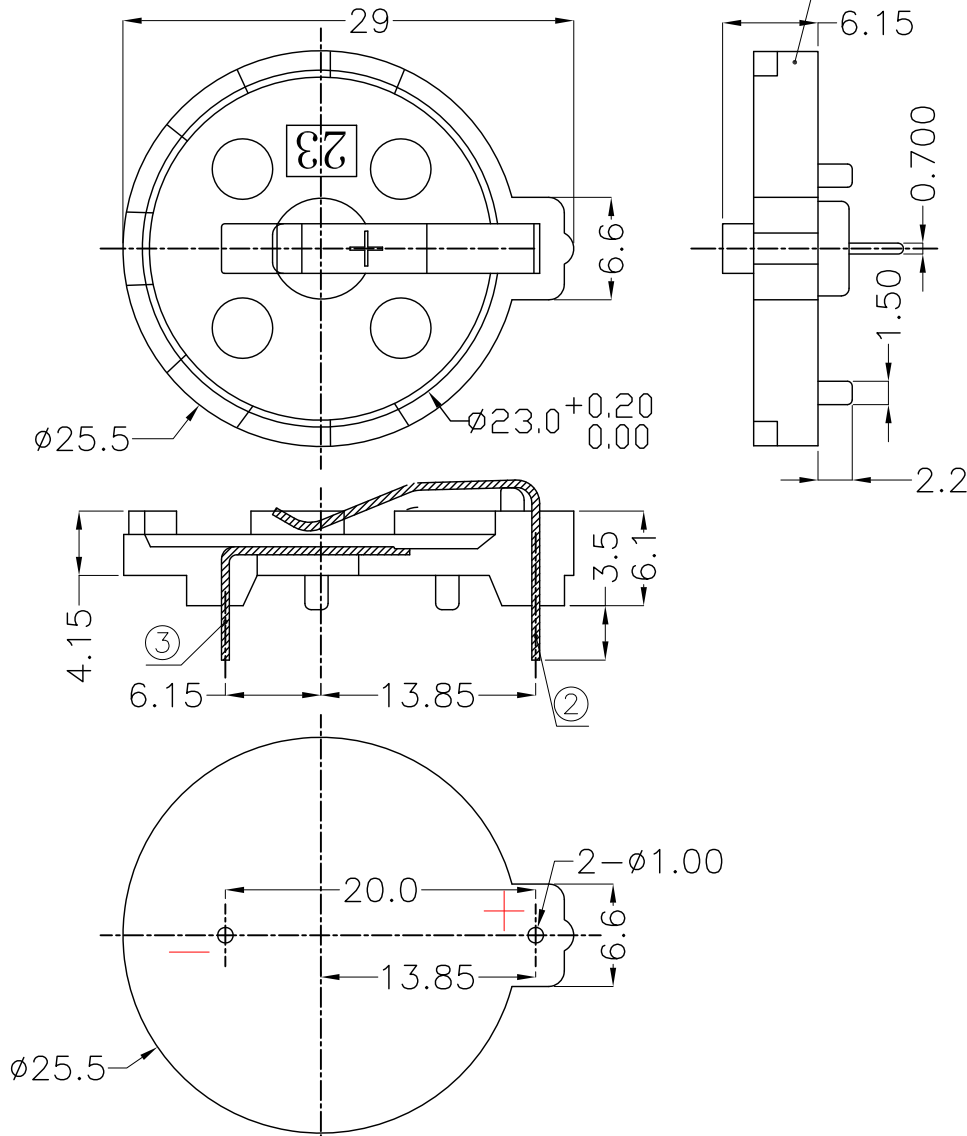
4A-LCP WHITE

4B-LCP BLACK

工程部

2017-07-16

ZW DANG



PCB Layout Diagram

Top View

NO.	PART NAME	Q'TY	MATERIAL	PLATING & COLOR
3	TERMINAL(-)	1	BRASS, T=0.50mm	Sn Plating
2	TERMINAL(+)	1	BRASS, T=0.50mm	Sn Plating
1	HOUSING	1	PBT	BLACK

UNLESS OTHERWISE SPECIFIED TOLERANCES		MYOUNG 美阳 www.meiyangdz.com			
DECIMALS: X :±0.30 X.X :±0.25 X.XX :±0.20 X.XXX :±0.10	ANGLES: X :±1° X.X :±0.5°	DSND	YangFeng	DATE	2017-07-16
		CHKD	ZhouRuicai	DATE	2017-07-16
		APVD	XueShunyong	DATE	2017-07-16
WEIGHT: 1.8g		SCALE: 2:1	SIZE: A4	VIEW:	TITLE: BS-2330-1 DIP
SHEET 1 OF 1		UNIT: mm	REV.: A/0	OBJECT: MY	PART NO.: BS-23-A1AK001
					DRAW NO.:WD-CP-0022