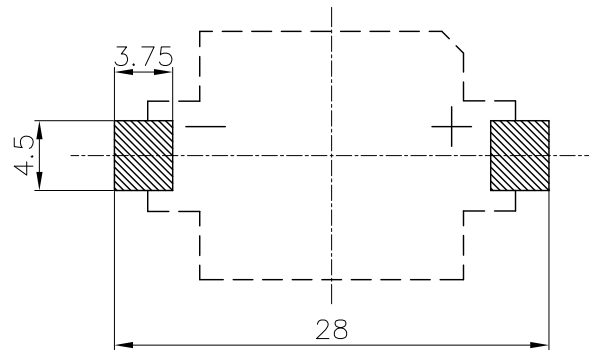
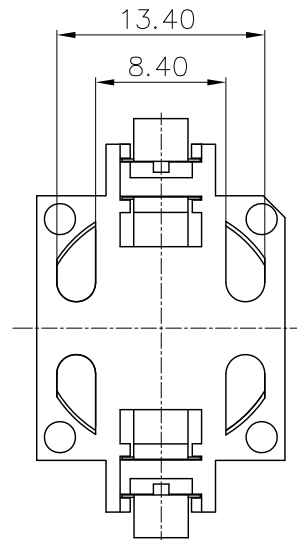
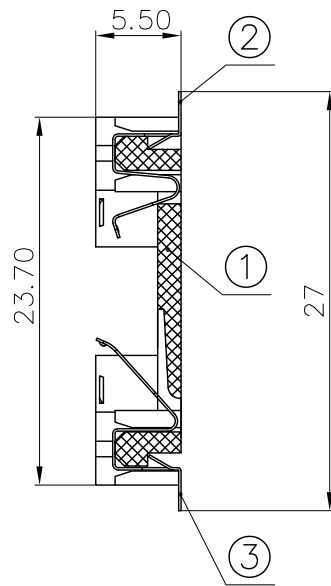
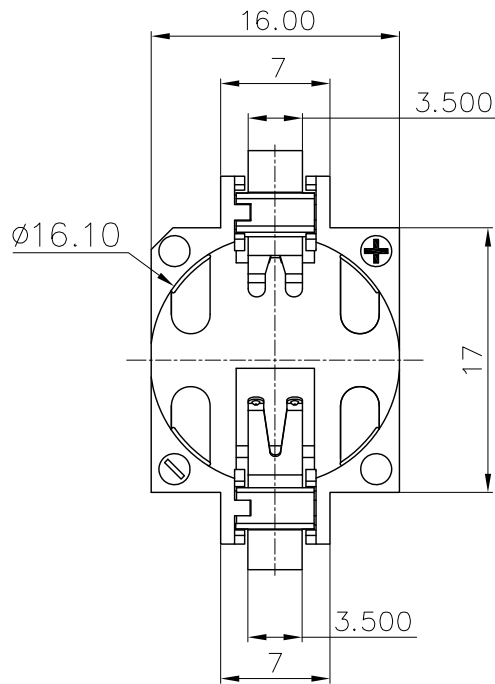




REV.	ECN NO.	REVISED	DATE
A/1	MY20200401001	LQ.HUANG	2020.04.01



PCB Layout Diagram  
Top View

NOTE:

- MATERIAL:
  - HOUSING:LCP
  - CONTACT:PHOSPHOR BRONZE  
(SURFACE PLATING: Sn100U~120U)  
SEE ORDERING INFORMATION
- ELECTRIC:
  - CONTACT RESISTANCE: 30 MILLIOHMS MAX
  - INSULATION RESISTANCE: 100 MEGA OHMS MIN
  - DIELECTNIC VOLTAGE: 500V AC ONE SEC LEVEL
  - OPERATING TEMPERATURE: -40°C~ +85°C

ORDERING INFORMATION

BS-16-B\*\*\*003

电池座系列

BS-16系列

SMT 180° TYPE

PLATING:  
A-Au1U"  
J-Ni100U"~120U"  
K-Sn100U"~120U"

MATERIAL:  
1A-PBT BLACK  
1B-PA66 BLACK  
2A-PPA BROWN  
2B-PPA BLACK  
3A-PPS BROWN  
3B-PPS BLACK  
4A-LCP WHITE  
4B-LCP BLACK



UNLESS OTHERWISE SPECIFIED TOLERANCES		<b>MYOUNG 美阳</b> <a href="http://www.meiyangdz.com">www.meiyangdz.com</a>	
DECIMALS: X :±0.30 X.X :±0.25 X.XX :±0.20 X.XXX :±0.10	ANGLES: X :±1° X.X :±0.5°	DSND YangFeng	DATE 2020-04-01
WEIGHT: 1.34g		CHKD ZhouRuicai	DATE 2020-04-01
SHEET 1 OF 1		APVD XueShunyong	DATE 2020-04-01
SCALE: 2:1		SIZE: A4	VIEW:
UNIT: mm		REV.: A/1	OBJECT: MY
TITLE:		BS-1632-1 SMT	
PART NO.:		BS-16-B4AK003	
DRAW NO.:		MY-CP-0085	

NO.	PART NAME	Q'TY	MATERIAL	PLATING & COLOR
3	TERMINAL(-)	1	PHOSPHOR BRONZE, T=0.15mm	Sn-Plating
2	TERMINAL(+)	1	PHOSPHOR BRONZE, T=0.15mm	Sn-Plating
1	HOUSING	1	LCP	WHITE