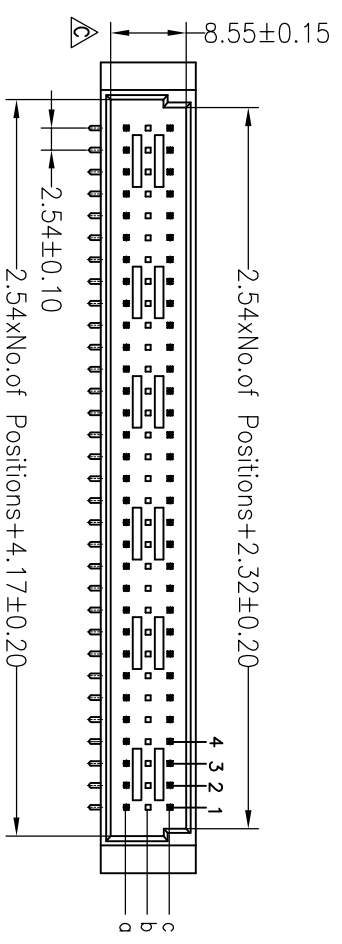
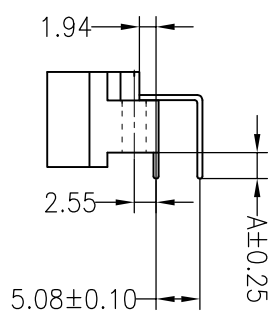
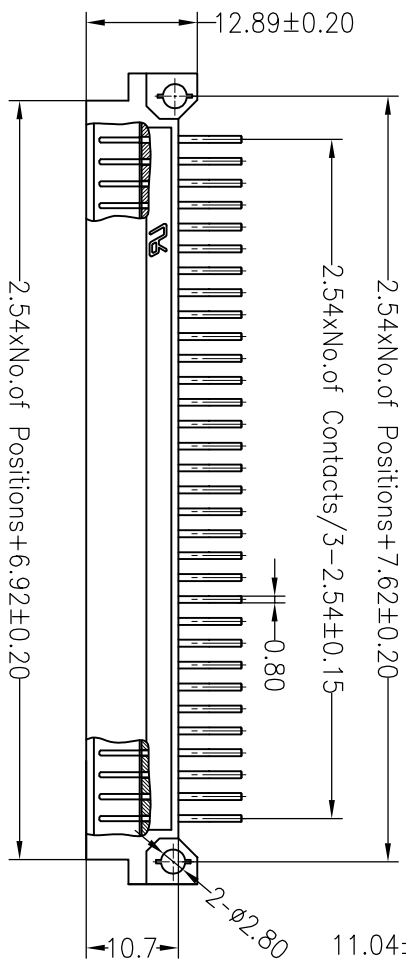
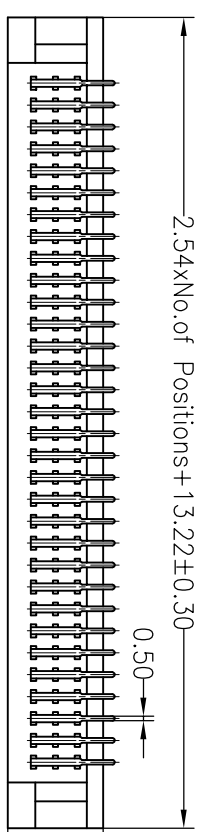




**SPECIFICATIONS**  
 Rated Current: 3.0AMP  
 Contact Resistance: 30mΩ Max  
 Withstand Voltage: 1000V AC/DC  
 Insulation Resistance: 1000MΩ Min  
 Operation Temperature: -40°C to +105°C

Contact Material: Brass  
 Contact Plating: Au or Sn Over Ni  
 Insulator Material: Polyester (UL94V-0)  
 Standard: PBT  
 Max. Processing Temp: 180°C for 30-60 seconds  
 (200°C for 10 seconds)



### Ordering Information

35113 64 C M R S0 B N A 2

No. of Pins: 30-96PIN  
 Contact Type: M=mole  
 Contact Plating: S0:Gold 1.5U" Flash/Tin  
 Packing: O=PE Bag, A=Tray

Dimension antitheses list	
ITEM	A
Standard	3.00
Alternate	

OPERATION		DRAW		SCALE		FIT		PART NO.	
X.X	±0.30	litujianjun	17.05.31	UNIT	mm	SIZE	A4	PROJ.	客户:
X.XX	±0.20	CHECK		SIZE		SHEET	1/1	TITLE:	3511364CMR50BNA2
X:XXX	±0.10			ANGLE	±3°	APPROVE			款式插座 公座 90度 364 成品图
REV	DATE	MODIFICATION DESCRIPTION	CHANGE	DIM	TOL				

**JILIN** 深圳市锦凌电子有限公司  
 SHENZHEN JINLING ELECTRONIC CO.,LTD  
 Tel: 86-755-2997-5806/5802 Fax: 86-755-2997-5992