

常州超音电子有限公司

SPECIFICATION FOR APPROVAL

产 品 规 格 书

DESCRIPTION : SMD BUZZER
PART NO. : Cy-SMD-5020-3040
USER' S PART NO. :
DATE : 2019. 09. 10
CUSTOMER APPROVED :

Approved By	Checked By	Made By

常州超音电子有限公司

Chzngzhou Chaoyin ELECTRONICS CO., LTD

地址：江苏常州武进庙桥新联工业集中区 58 号

网址：www.smdbuzzer.net

电话：0519-88298758

传真：0519-86464158

Cy-SMD-5020-3040

DATE:2019.09.10

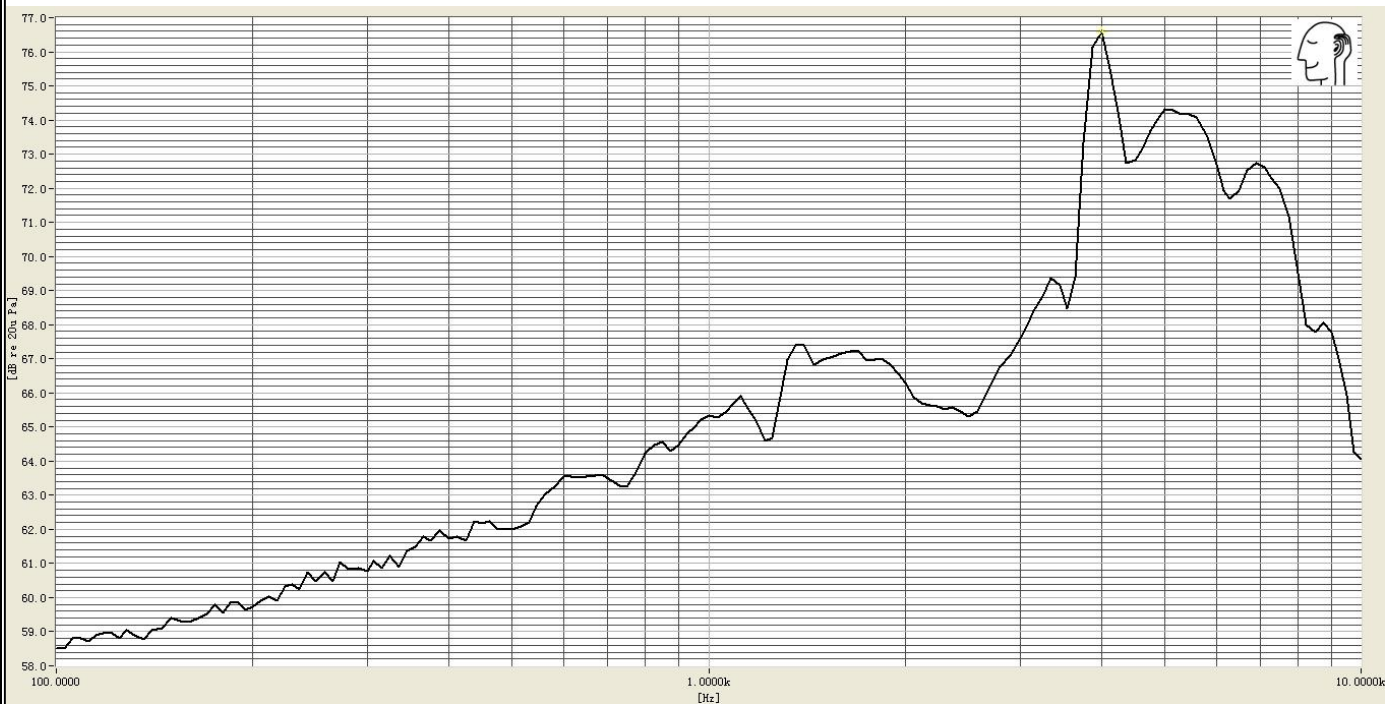
1 . Electrical Characteristics

VER :0

Oscillation Frequency (Hz)	4000
Operating Voltage (V0-p)	2 ~ 4
Rated Voltage (V0-p)	3
Current Consumption (mA/max.)	100 at Rated Voltage
Sound Pressure Level (dB/min.)	75 at 10cm at Rated Voltage
Coil Resistance (Ω)	12 ± 3
Operating Temperature ($^{\circ}\text{C}$)	-40 ~ +85
Storage Temperature ($^{\circ}\text{C}$)	-40 ~ +85
Environmental protection rule	ROHS

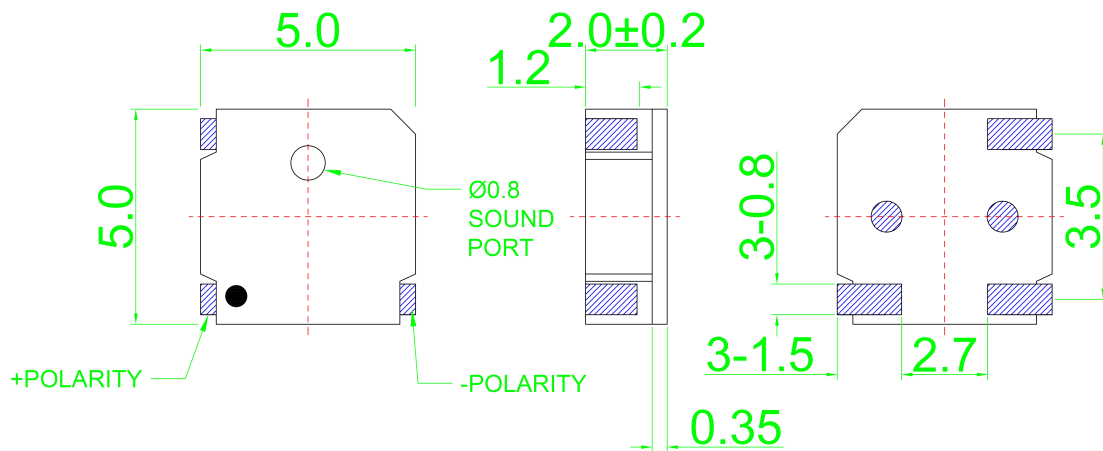
PS : $V_{p-p} = 1/2$ duty , square wave

2 . Typical Frequency Response Curve



3 . Dimensions and Material

3-1 Shape: ± 0.5 (unit:mm)



3-2 Material

Housing	LCP plastic resin (Color : Black)
Leading Pin	Tin Plated Brass
Weight (Gram)	

4 . Recommend Driving Circuit

The base current I_b should high enough so that it saturates the collector current of the transistor with the CB load.

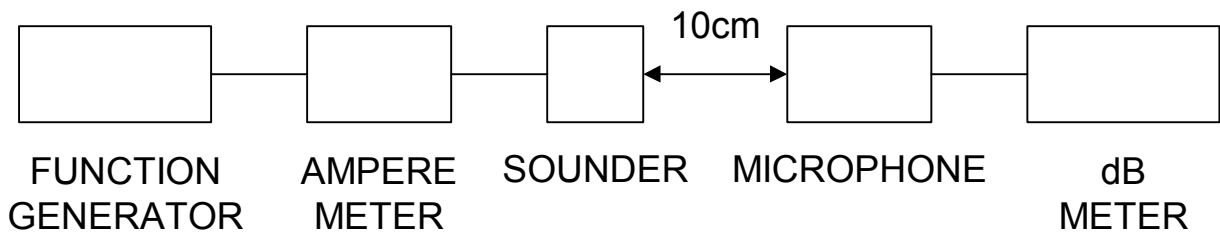
5. TESTING METHOD

- **Standard Measurement conditions**

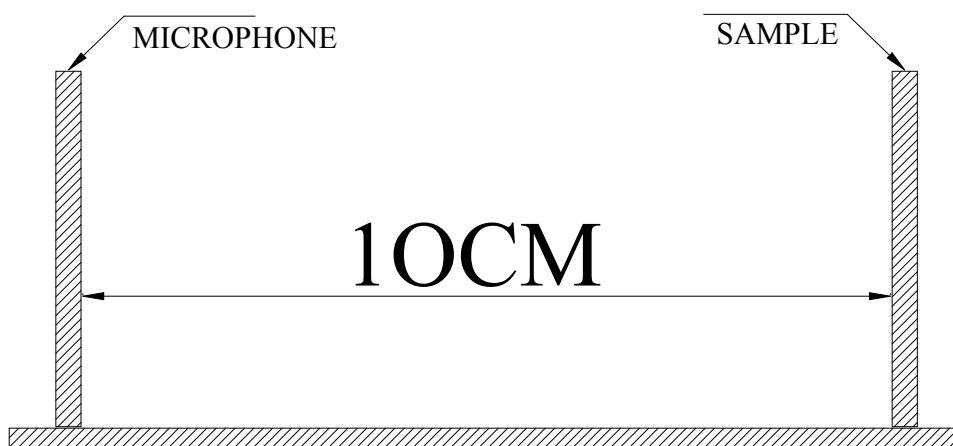
Temperature: $25 \pm 2^\circ\text{C}$ Humidity: 45-60%

- **Acoustic Characteristics**

The oscillation frequency, current consumption and sound pressure are measured by the measuring instruments shown below.



In the measuring test, buzzers is placed as follows:



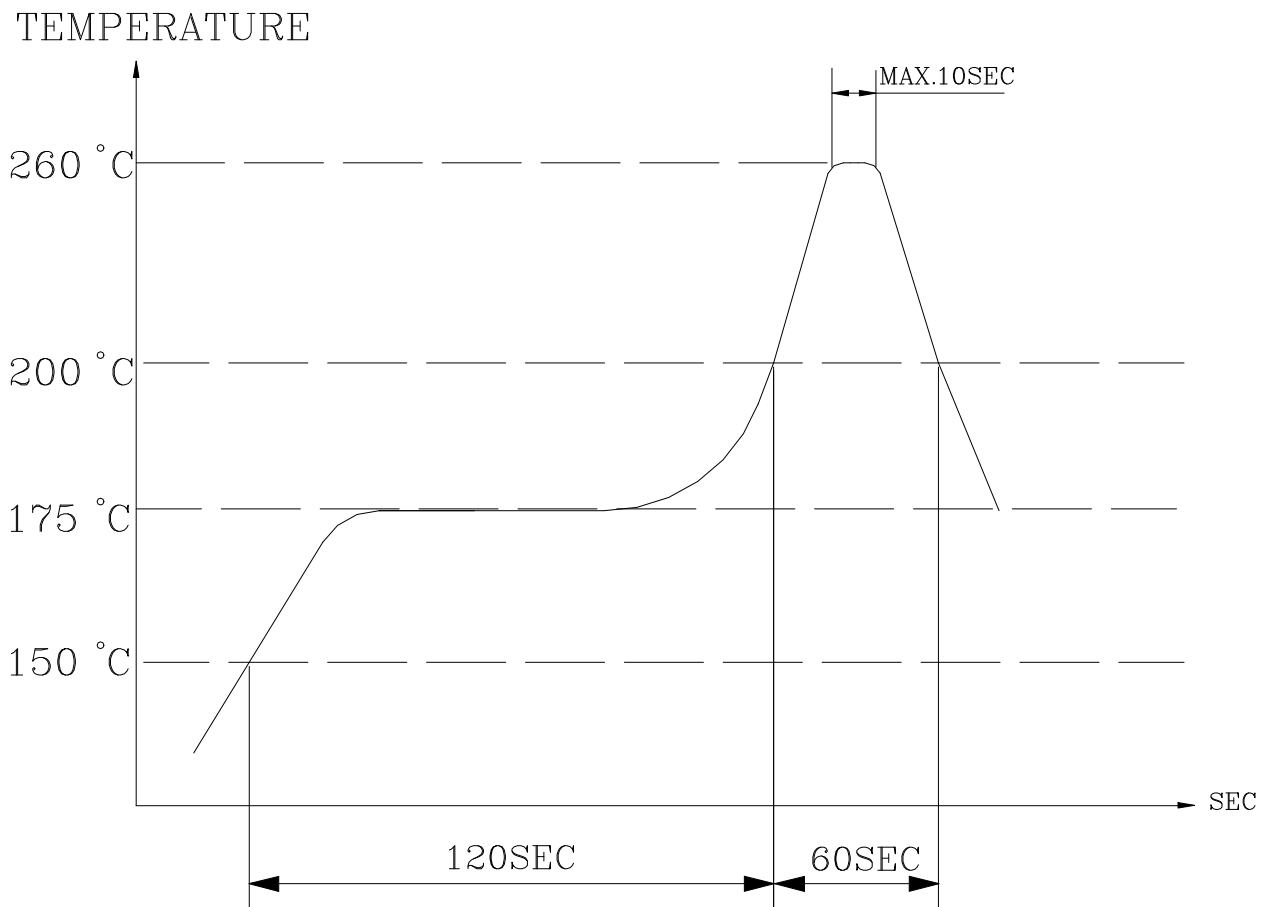
6. RELIABILITY

ITEMS	METHOD OF TEST AND MEASUREMENTS	PERFORMANCE
<i>Coldness withstanding</i>	<i>After 98 hours of being exposed to -40 °C environment, should be returned to normal environment for 2 hours, then re-proceed to test.</i>	<i>No abnormality shall exist</i>
<i>Hotness withstanding</i>	<i>After 98 hours of being exposed to +85 °C environment, should be returned to normal environment for 2 hours, then re-proceed to test.</i>	<i>No abnormality shall exist</i>
<i>Humidity withstanding</i>	<i>After 98 hours of being exposed to 40 °C 95%RH environment in actual operation, should be returned to normal environment for 2 hours, then re-proceed to test.</i>	<i>No abnormality shall exist</i>
<i>Durability</i>	<i>Testing after 1,000 hours actual continuous operation. (at standard measurement conditions)</i>	<i>No abnormality shall exist</i>
<i>Drop withstanding</i>	<i>A natural drop from 75cm high down to the ground.</i>	<i>No abnormality shall exist</i>
<i>Vibration withstanding</i>	<i>Vibration of 2,000 cycles per minute, 2mm amplitude, applied in X, Y and Z directions for 30 minutes each.</i>	<i>No abnormality shall exist</i>

7.Soldering Condition

(1)Recommendable reflow soldering condition is as follows
(Reflow soldering is twice)

Note:It is requested that reflow soldering should be executed
after heat of product goes down to normal.



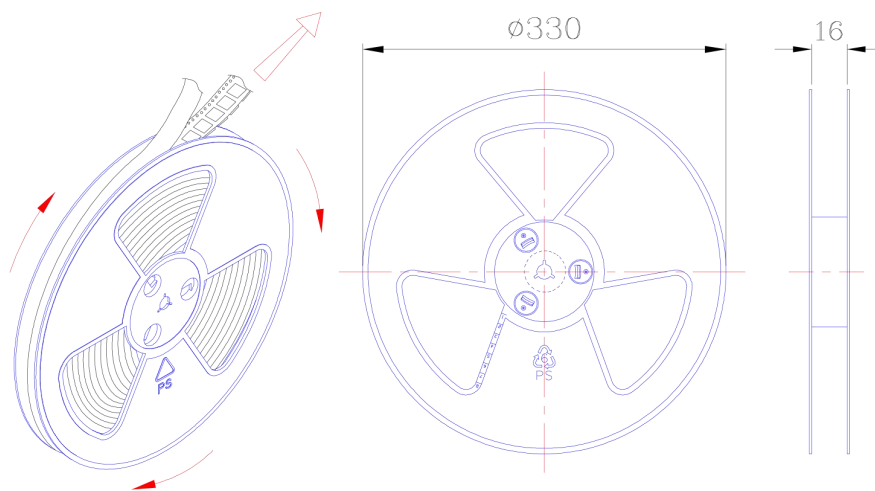
Heat resistant line

(Used when heat resistant reliability test is performed)

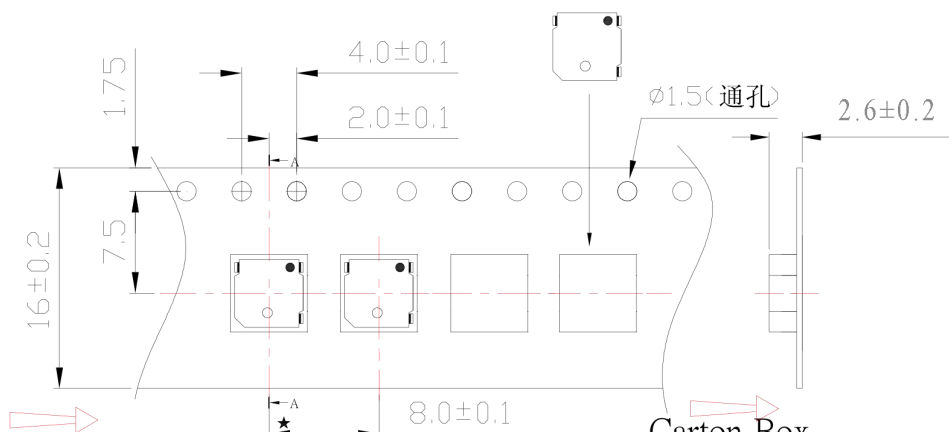
(2)Manual soldering

Manual soldering temperature 350° C within 10 sec.

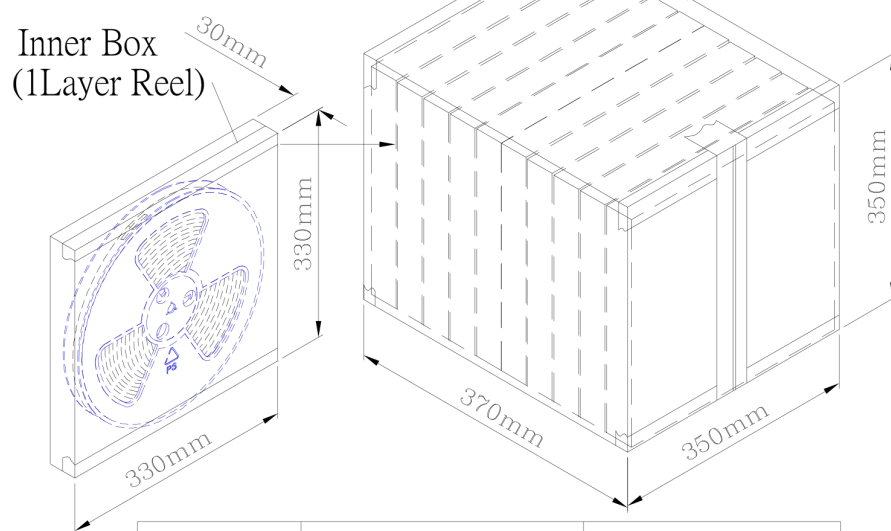
8. PACKAGE METHOD



1 Reel : 3000PCS



Carton Box
(10 Inner Box)



Inner Box	330mmx330mmx30mm	1x3000PCS=3000PCS
Carton Box	350mmx350mmx370mm	10x3000PCS=30,000PCS