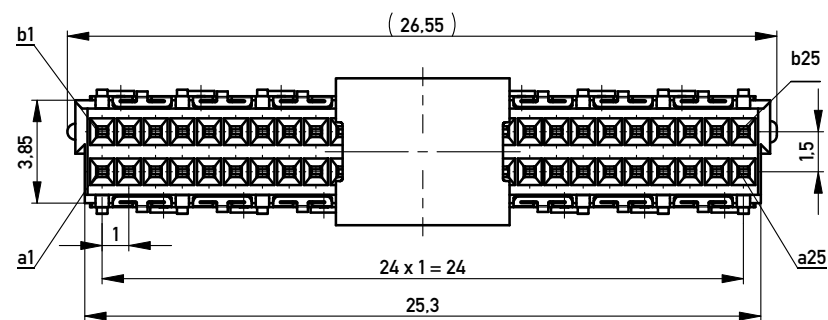
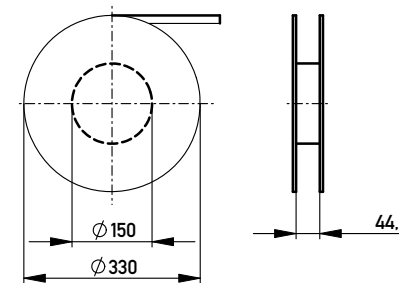
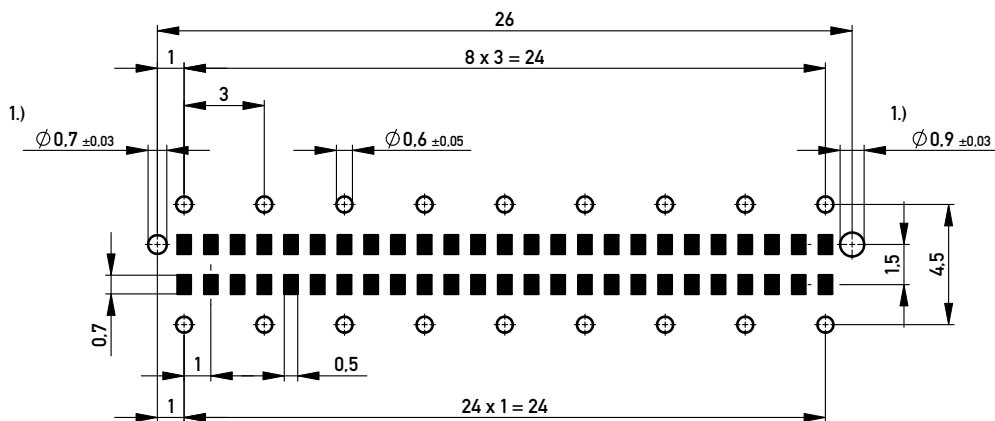


Verpackt in Gurtverpackung - *Tape on Reel Packaging*  
 Verpackungseinheit: 400 Stück - *Packaging unit: 40 pcs*



Leiterplatten-Layout Vorschlag / *PCB-Layout Proposal*



1.) Durchmesser des Bohrers / *Drill tool*

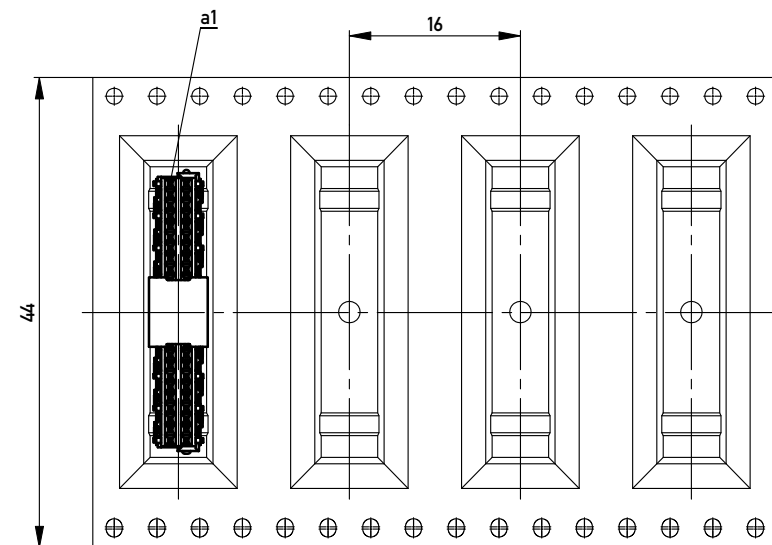
Anforderungsstufe 1  
*Performance Level 1*

Kontaktbereich vergoldet  
*Mating Area gold plating*

Anschlussbereich verzinkt 4-6 µm  
*Terminal Area 4-6 µm tin plating*

Koplanarität der Anschlüsse ≤ 0.1 mm  
*Coplanarity Area of Termination ≤ 0.1 mm*

Abspulrichtung - *Reel off Direction*



Information:		Tolerances	 All Dimensions in mm	Scale	5:1
All rights reserved. Only for Information. To ensure that this is the latest version of this drawing, please contact one of the ERNI companies before using.		Subject to modification without prior notice. Drawing will not be updated.		Designation <b>Federleiste 4mm THR, 50 polig</b> <b>Female 4mm THR, 50 contacts</b>	
www.ERNI.com		<b>144663</b>		I <b>A3</b>	
i	21.09.2010	Class		MSPEED	

Copyright by ERNI GmbH. Proprietary notice pursuant to ISO 16016 to be observed.