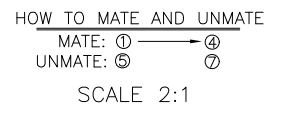
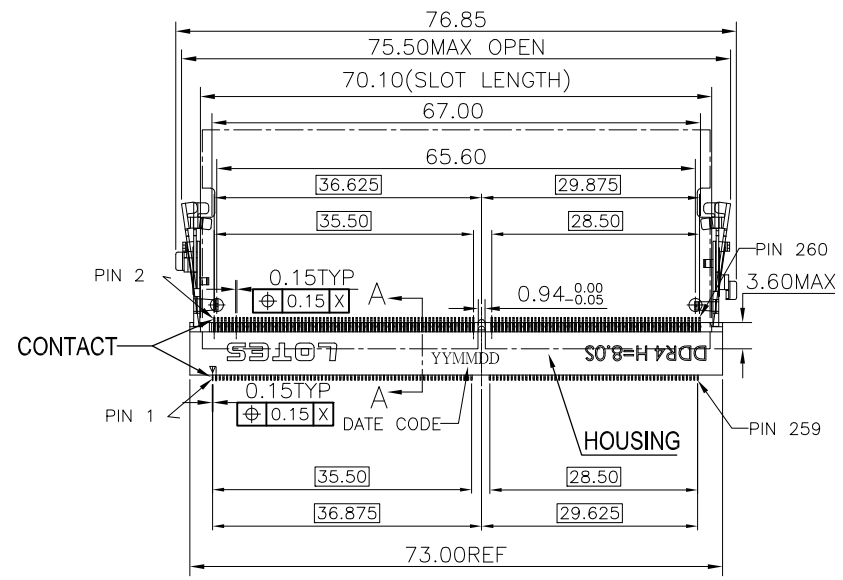
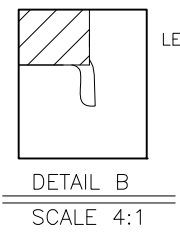
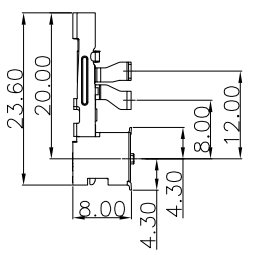
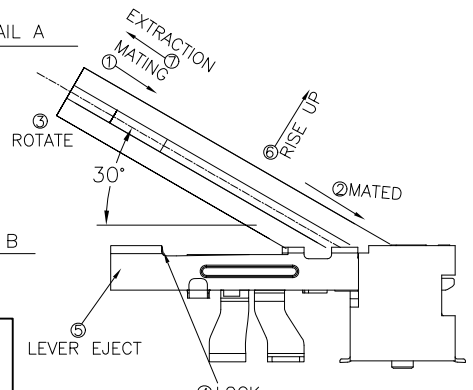
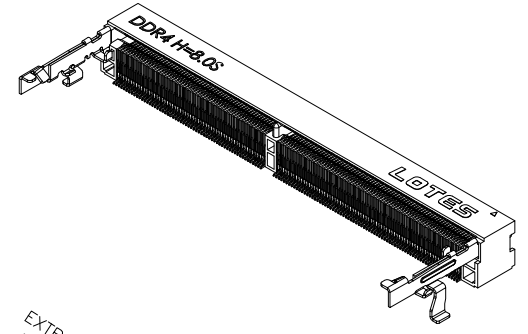
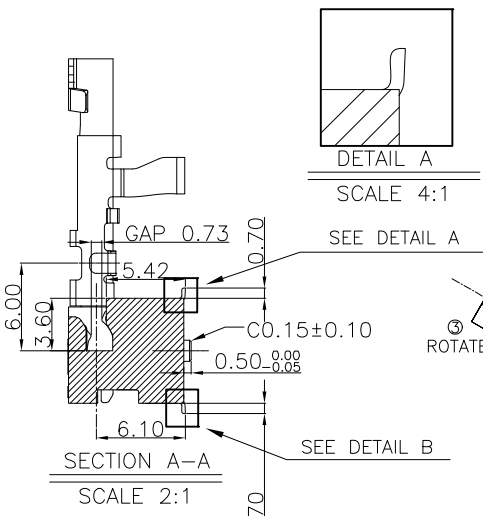
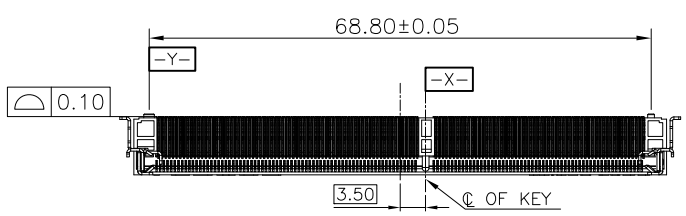
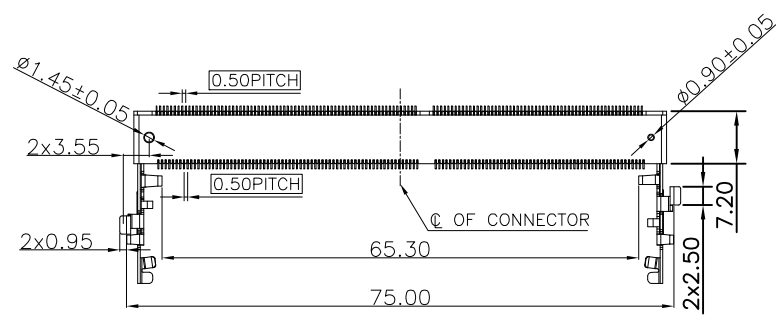


REV.	ECR/N NO./DESCRIPTION	DATE	DRAWN	CHECKED	APPROVE
J	RD140**	06/11'15	XU	Vito	Barney
K	RD140**	10/07'15	XU	Vito	Barney
L	RD140**	01/14'16	MENG	Vito	Barney



GENERAL TOLERANCES UNLESS SPECIFIED		PART NO. SEE TABLE	LOTES		
X ± 0.35	X° ± 3°				
.XX ± 0.25	X° ± 2°	APPROVED BY Barney	TITLE SODDR4 8.0H 260 PIN STD TYPE		
.XXX ± 0.15	.XX° ± 1°		CHECKED BY Vito	DWG NO. AP-ADDR0069	
CUSTOMER DRAWING		DRAWN BY XU	SHEET 1 / 5	SCALE 1 : 1	REV L
SIZE A4	UNITS MM [INCH]				

NOTES:

1.MATERIALS:

HOUSING: LCP,UL 94V-0.

CONTACT: BRASS C2680.

LATCH: STAINLESS STEEL SUS301.

2.FINISH:

1)CONTACT:UNDERPLATED NICKEL 50~150u",
 PLATING ON SOLDER AREA:SEE TABLE
 GOLD PLATING ON CONTACT AREA:SEE TABLE

2)LATCH:UNDERPLATED NICKEL 50~150u",MATTE TIN 80u" MIN.

3.ELECTRICAL PERFORMANCE

LLCR INITIAL 50mΩ MAX PER CONTACT.

FINAL ΔLLCR=20mΩ MAX

4.MECHANICAL PERFORMANCE,

MATING & UNMATING FORCE: 6.1 Kgf MAX.

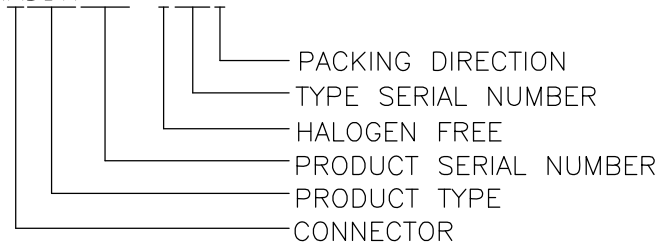
5.IR REFLOW:

THE PEAK TEMPRATURE ON THE BOARD SHALL BE
 MAINTAINED FOR 10 SECONDS AT 260±5°C.

6. DC: XXXXXX



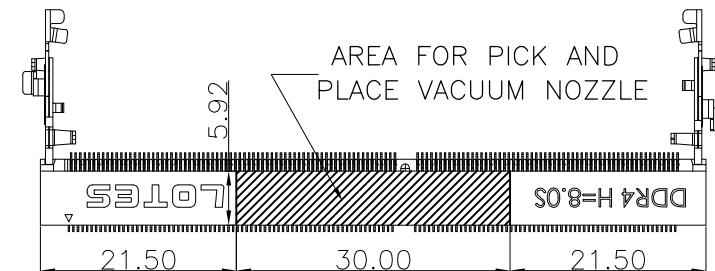
7.PRODUCT NUMBER NOTE:ADDR****-****



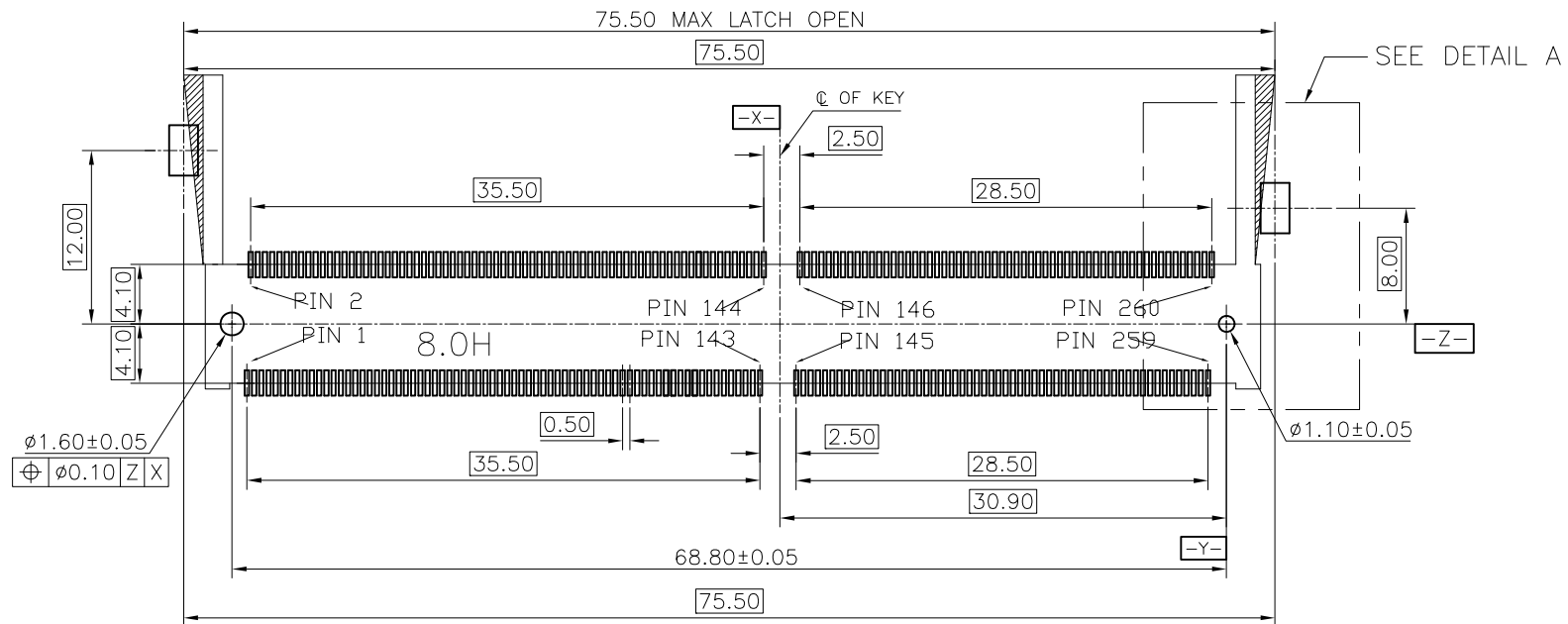
8.RoHS COMPLIANT.
 HF COMPLIANT.

TABLE:

NO.	PART NO.	COLOR	DESCRIPTION
1	ADDR0069-P009A	BLACK	GOLD G/F ON CONTACT AREA
			GOLD G/F ON SOLDER AREA
2	ADDR0069-P010A	BLACK	GOLD 10u" ON CONTACT AREA
			GOLD G/F ON SOLDER AREA
3	ADDR0069-P011A	BLACK	GOLD 15u" ON CONTACT AREA
			GOLD G/F ON SOLDER AREA
4	ADDR0069-P012A	BLACK	GOLD 30u" ON CONTACT AREA
			GOLD G/F ON SOLDER AREA
5	ADDR0069-P014A	WHITE	GOLD G/F ON CONTACT AREA
			GOLD G/F ON SOLDER AREA
6	ADDR0069-P015A	WHITE	GOLD 10u" ON CONTACT AREA
			GOLD G/F ON SOLDER AREA
7	ADDR0069-P016A	WHITE	GOLD 15u" ON CONTACT AREA
			GOLD G/F ON SOLDER AREA
8	ADDR0069-P017A	WHITE	GOLD 30u" ON CONTACT AREA
			GOLD G/F ON SOLDER AREA

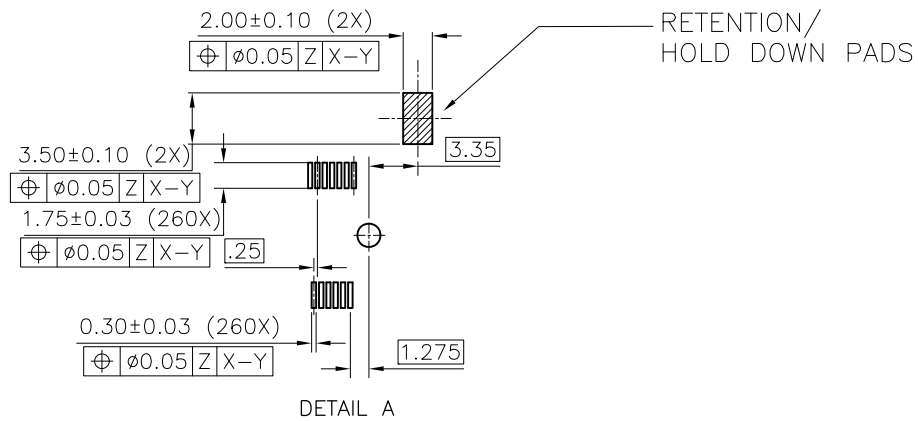


GENERAL TOLERANCES UNLESS SPECIFIED		PART NO. SEE TABLE	LOTES		
x ± 0.35	x.° ± 3°				
.XX ± 0.25	X° ± 2°	APPROVED BY Barney	TITLE SODDDR4 8.0H 260 PIN STD TYPE		
.XXX ± 0.15	.XX° ± 1°	CHECKED BY Vito	DWG NO. AP-ADDR0069		
CUSTOMER DRAWING		DRAWN BY XU	SHEET 2 / 5	SCALE 5 : 4	REV L
SIZE A4	UNITS MM [INCH]				

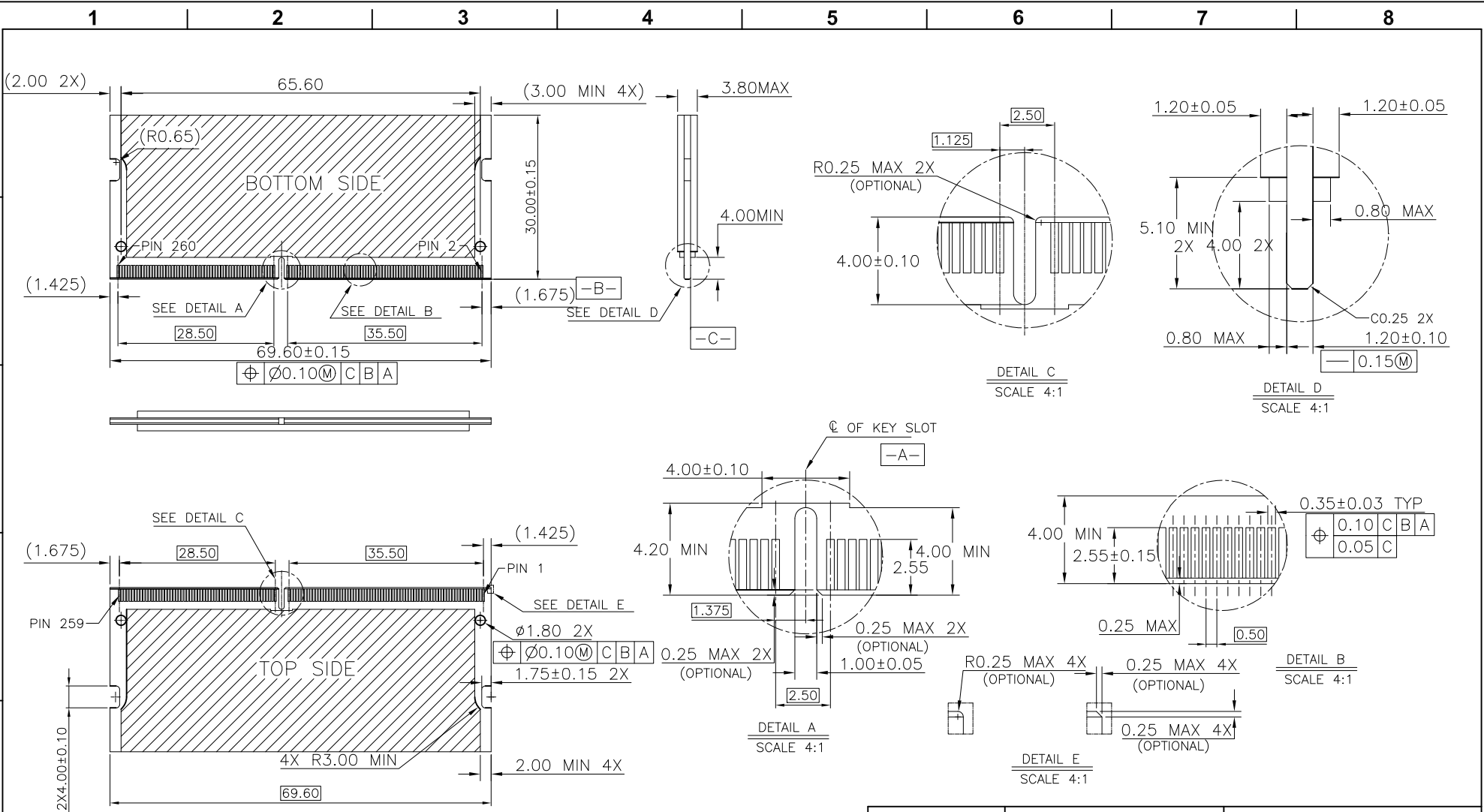


SCALE 2:1

TOP VIEW
RECOMMEND PCB LAYOUT (STANDARD)
THE TOLERANCES UNLESS SPECIFIED IS $\pm 0.05\text{MM}$

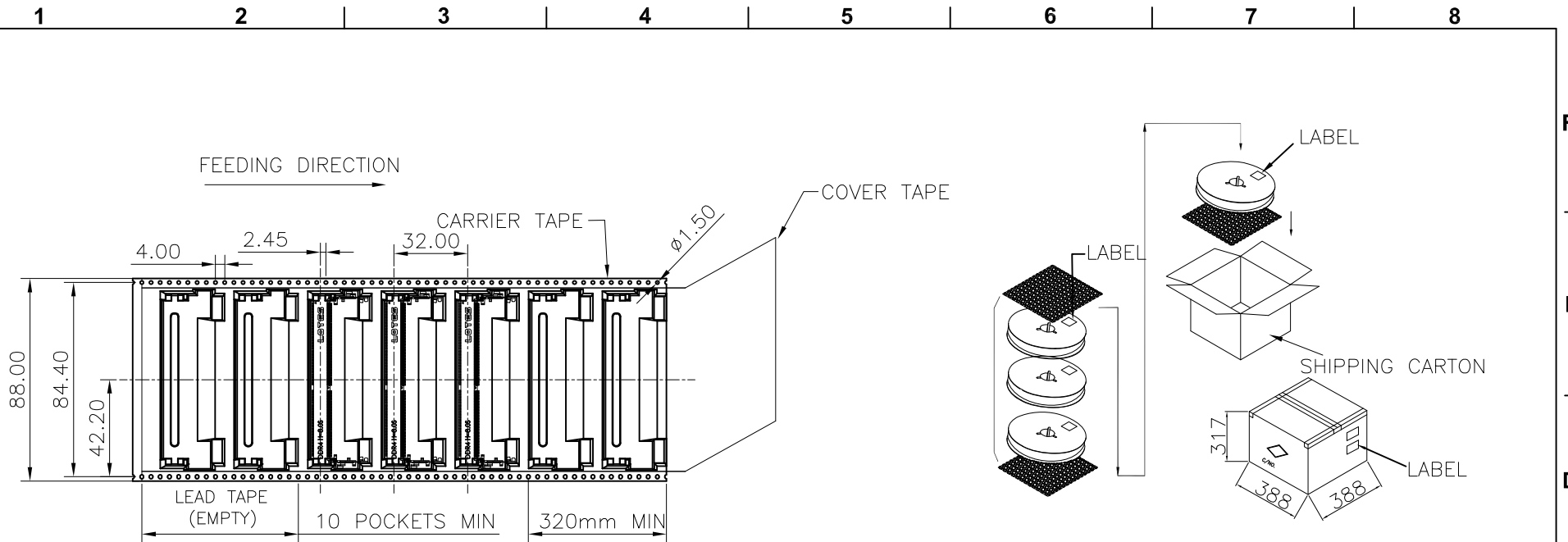


GENERAL TOLERANCES UNLESS SPECIFIED		PART NO. SEE TABLE	LOTES			
X ± 0.35	X° ± 3°					
.XX ± 0.25	X° ± 2°	APPROVED BY Barney	TITLE SODDR4 8.0H 260 PIN STD TYPE			
.XXX ± 0.15	.XX° ± 1°	CHECKED BY Vito	DWG NO. AP-ADDR0069			
CUSTOMER DRAWING		DRAWN BY XU		SHEET	SCALE	REV
SIZE A4	UNITS MM [INCH]			3 / 5	1 : 1	L



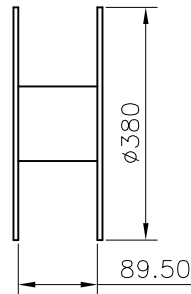
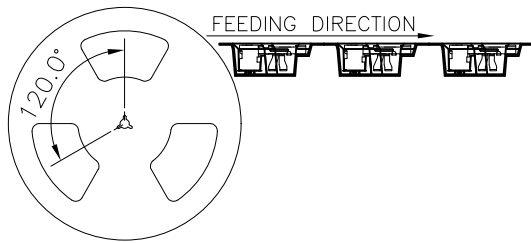
- DDR4 MODULE NOTES:
1. TOLERANCE ON ALL DIMENSIONS ±0.15 UNLESS OTHERWISE SPECIFIED;
 2. PCB THICKNESS APPLIES ACROSS TABS AND INCLUDES PLATING AND/OR METALIZATION;
 3. FINISH OF PAD: Au PLATING 30u" min OVER NI PLATING 80u" min;
 4. NO BURR;
 5. CHAMFER 0.25mm max. X 45° IF EXIST.

GENERAL TOLERANCES UNLESS SPECIFIED		PART NO. SEE TABLE	LOTES			
X ± 0.35	X° ± 3°					
.XX ± 0.25	X° ± 2°	APPROVED BY Barney	TITLE SODDR4 8.0H 260 PIN STD TYPE			
.XXX ± 0.15	.XX° ± 1°	CHECKED BY Vito	DWG NO. AP-ADDR0069			
CUSTOMER DRAWING		DRAWN BY XU		SHEET	SCALE	REV
SIZE A4	UNITS MM [INCH]			4 / 5	1 : 1	L



NOTES:

1. MATERIAL :
 - 1.1 CARRY TAPE: PS
 - 1.2 COVER TAPE: PET
 - 1.3 SHIPPING CARTON: CORRUGATED FIBER
2. DIMENSION :
 - 2.1 REEL: W=88.0, $\phi A=380$
 - 2.2 SHIPPING CARTON: L=388, W=388, H=317 (INNER)
3. QUANTITY :
 - 3.1 PRIMARY PACKING: 270 PCS/REEL
 - 3.2 SECONDARY PACKING: 3 REELS/CARTON(810PCS)
4. PEELING RESISTANCE: 20gf~120gf.
5. PEELING SPEED: 300mm/minutes.



GENERAL TOLERANCES UNLESS SPECIFIED		PART NO. SEE TABLE	LOTES			
X ± 0.35	X° ± 3°					
.XX ± 0.25	X° ± 2°	APPROVED BY Barney	TITLE SODDR4 8.0H 260 PIN STD TYPE			
.XXX ± 0.15	.XX° ± 1°	CHECKED BY Vito	DWG NO. AP-ADDR0069			
CUSTOMER DRAWING		DRAWN BY XU		SHEET	SCALE	REV
A4	MM			5 / 5	N/A	L