

Notes:

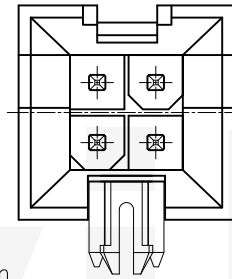
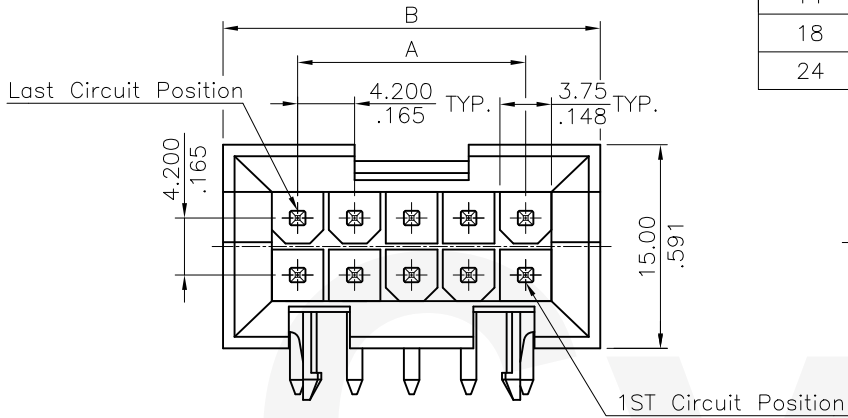
- * Insulation: Nylon 66, Color Nature
- * Contact: Brass
- * For Tin-Lead wave flow process

Circuits	Dimension	
	A	B
4	4.20(.165)	15.2(.598)
6	8.40(.331)	19.4(.764)
8	12.60(.496)	23.6(.929)
10	16.80(.661)	27.8(1.094)
14	25.20(.992)	36.2(1.425)
18	33.60(1.323)	44.6(1.756)
24	46.20(1.819)	57.2(2.252)

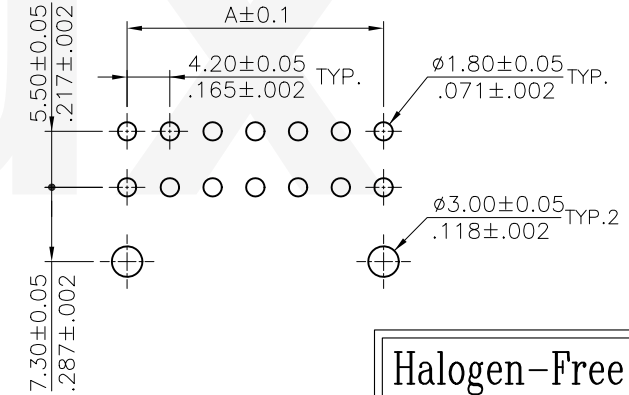
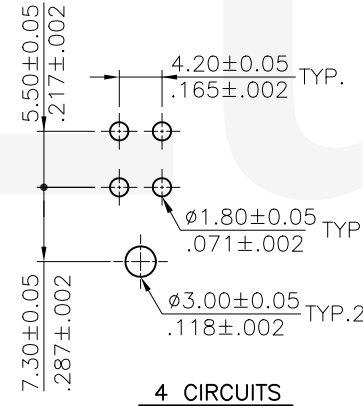
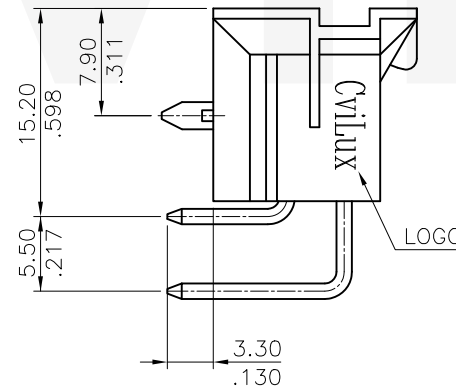
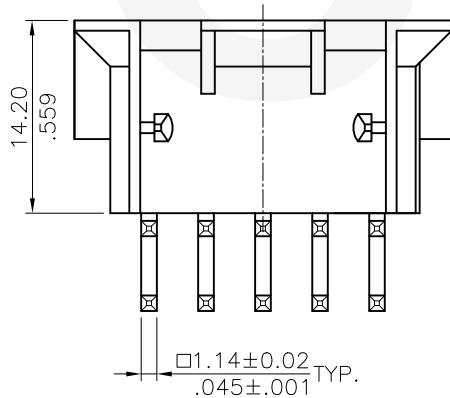
Ordering Code:

CP-01 4 ** * * 0
 ① ② ③ ④ ⑤ ⑥

- ① Series No.
- ② Type of Connector:
4= Right angle PCB mount header
- ③ No of Circuits:
- ④ Plating Code: 1= Tin over Nickel
2= Gold flash plated over Nickel
3= 0.38μm(15μ") Gold plated over 1.27μm(50μ") Nickel
4= 0.76μm(30μ") Gold plated over 1.27μm(50μ") Nickel
- ⑤ Variation: 6= UL 94V-2, BMI type
7= UL 94V-0, BMI type
- ⑥ Option: 0= Standard



4 CIRCUITS
 P/N:CP-01404**0




Recommended P.C. Board layout

Halogen-Free

Tin-Lead Process

RoHS Compliant

④					DATE	UNIT: mm / inch	TITLE: CP-014 SERIES BMI RIGHT ANGLE TYPE CONN.	 瀚荃股份有限公司 CviLux Corporation
③					DRAWN BY: Karen	10/4-13'	MATERIAL:	
②					ENGINEER: Eisley	10/4-13'	FINISH:	DRAWING NO. CP0137SG
①	Karen	10/4-13'	ECNT113068		CHECKED BY: Eisley	10/4-13'		PART NO. CP-014***60 CP-014***70
SYM	NAME	DATE	REVISIONS		APPROVED BY: David	10/4-13'		SCALE 2 / 1
								SHEET 1 OF 1

