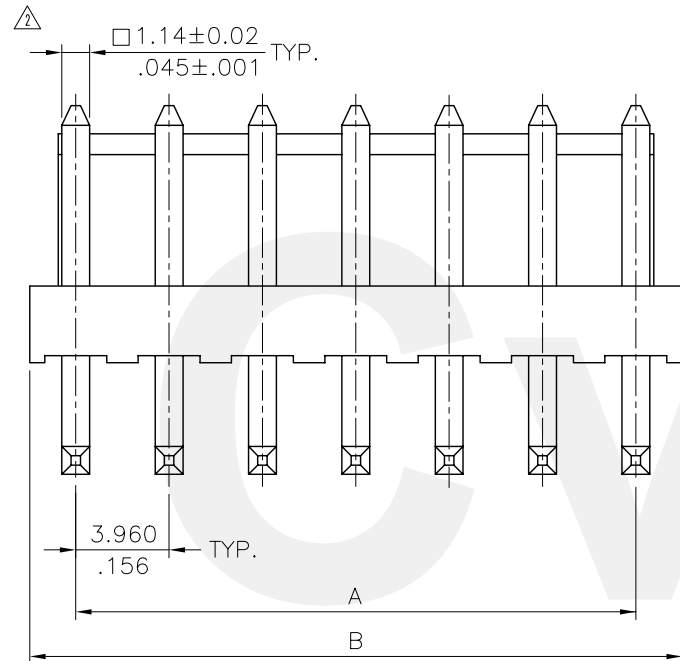
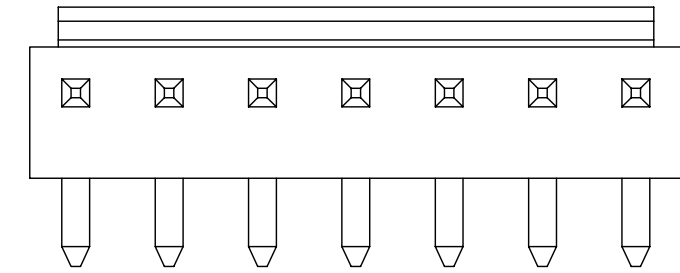


Ordering Code:

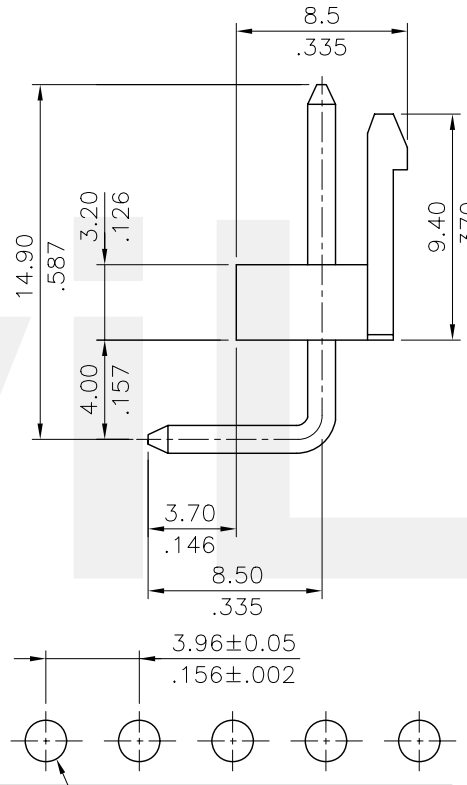
CI52 ** P 1 H 00 -LF
 ① ② ③ ④ ⑤ ⑥ ⑦

- ① Series No.
- ② No. of Circuits:
- ③ P= Pin header
- ④ Plating: 1= 3.05μm(120u") Min. Tin over 0.76μm(30u") Nickel (Matte Tin Plated)
2= Gold flash plated over 1.27μm(50u") Nickel
- ⑤ Type: H= Right angle
- ⑥ Other option: 00= Standard
- ⑦ LF= For Lead Free IR Processes



Material:

- * Insulation: Nylon 46 UL 94V-0
Color Nature
- * Contact: Brass





Circuits	Dimension	
	A	B
2	3.96(.156)	7.8(.307)
3	7.92(.312)	11.8(.465)
4	11.88(.468)	15.8(.622)
5	15.84(.624)	19.7(.776)
6	19.80(.780)	23.7(.933)
7	23.76(.936)	27.6(1.087)
8	27.72(1.091)	31.6(1.244)
9	31.68(1.247)	35.5(1.398)
10	35.64(1.403)	39.5(1.555)
11	39.60(1.559)	43.5(1.713)
12	43.56(1.715)	47.4(1.866)

Recommended P.C. Board Layout

Lead Free Process

RoHS Compliant

④					DATE	UNIT: mm / inch	TITLE: 3.96MM(.156") RIGHT ANGLE HEADERS	 瀚荃股份有限公司 CviLux Corporation	
③					DRAWN BY: Bill	TOLERANCE UNLESS OTHERWISE SPECIFIED	MATERIAL:		DRAWING NO. CI5252SC
②	Bill	2/19/08'	ECN08053		ENGINEER: Easley	.X ± 0.38/.015	X: ± 1"	PART NO. CI52**P*H00-LF	
①	Jim	12/4/06'	ECN06444		CHECKED BY: David	02/20-08'	.XX ± 0.25/.010	.X: ±	SCALE 3 / 1
SYM	NAME	DATE	REVISIONS		APPROVED BY: Alex	02/22-08'	.XXX ± 0.10/.004	.XX: ±	SHEET 1 OF 1