

Note:

\* Material :

Insulation:

Nylon 6T UL 94V-0

Color Nature

Contact : Phosphor Bronze

Fixed Tab : Brass with Matte  
Tin Plated

\* Recommended mating part:

Housing : CI44\*\*S0000

Terminal : CI44T011PP0

\* For Lead-Free IR Reflow process

**ORDERING CODE:**

CI44 \*\* M 1 V 00 -NH  
① ② ③ ④ ⑤ ⑥ ⑥

① SERIES NO.:

② NO. OF CIRCUITS: 02 TO 15

③ M= SMT TYPE HEADER

④ PLATING OPTION:

1= Tin over Nickel plated

⑤ TAIL STYLE: V= STRAIGHT

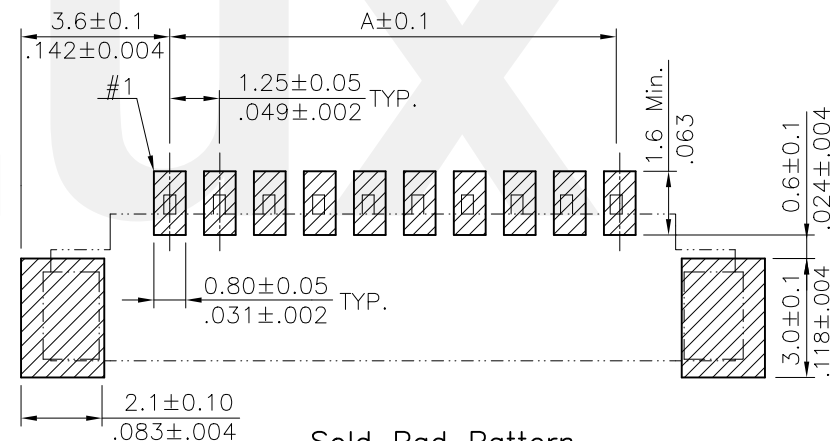
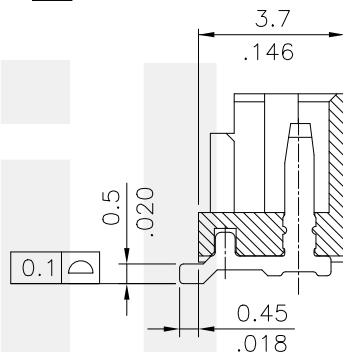
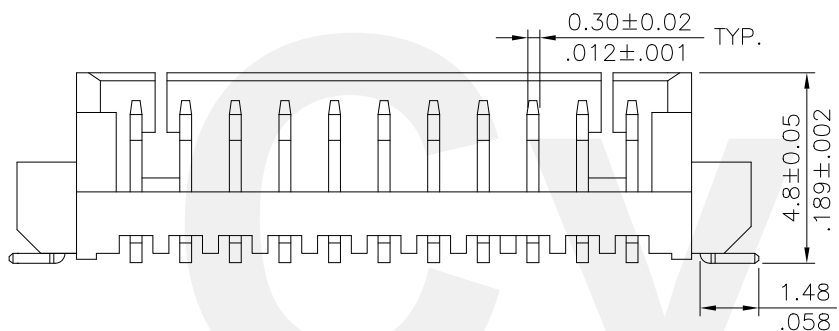
⑥ OPTION:

00= STANDARD(TUBE PACKING)

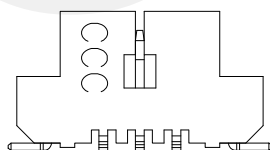
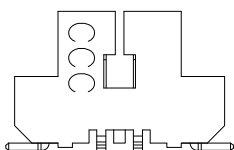
R0= TAPE & REEL PACKING

⑦ OTHER OPTION:

-NH=For Lead Free IR Processes  
and Halogen-Free



Sold Pad Pattern



FOR 2 Circuits

FOR 3 Circuits

A = 1.25 x No. of Spaces

B = A + 6.1

C = A + 1.9

\* Available in 2 through 15 circuits

Halogen-Free

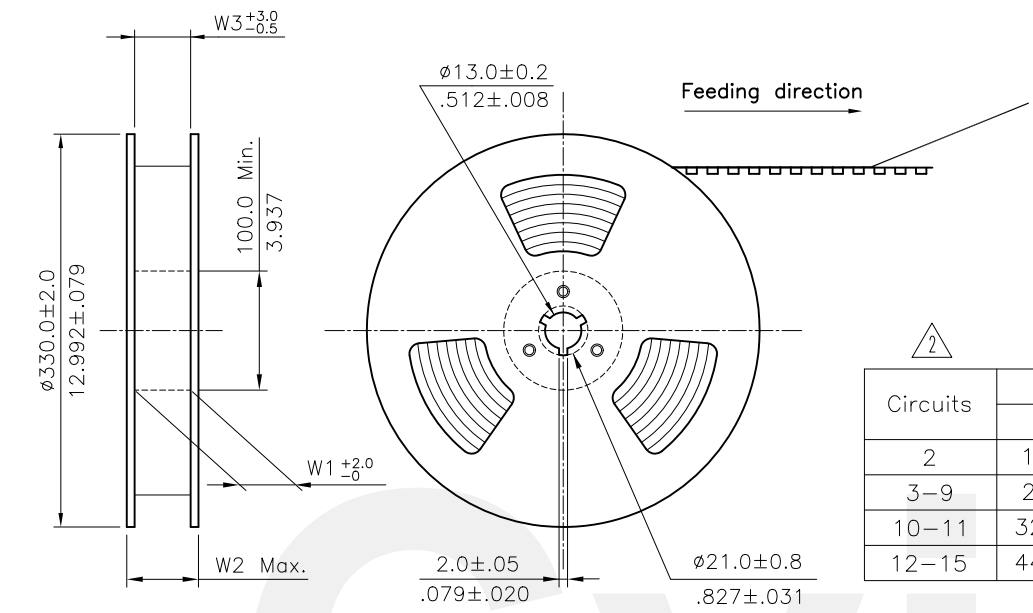
Lead Free Process

RoHS Compliant

④						DATE	UNIT: mm / inch	TITLE: 1.25MM(.049") STRAIGHT SMT TYPE HEADER
③	Karen	12/09-14'	ECNT114252/ECRT114090	CVILUX CORP 2015.01.16 ISSUED	DRAWN BY:	Karen	12/25-14'	MATERIAL:
②	Enya	7/26-12'	ECN12176-0 / ECR12061-1		ENGINEER:	Sun	12/26-14'	
①	Tim	11/09-10'	ECR10145-0/ECN10364	CHECKED BY:	Eisley	12/29-14'		
SYM	NAME	DATE	REVISIONS		APPROVED BY:	Eisley	12/29-14'	

TOLERANCE UNLESS OTHERWISE SPECIFIED		DRAWING NO. CI4457SD	
.X ± 0.25/.010	X' ± 1'	PART NO. CI44**M1V**-NH	
.XX ± 0.15/.006	.X' ±	SCALE 5 / 1	SHEET 1 OF 2
.XXX ± 0.08/.003	.XX' ±		

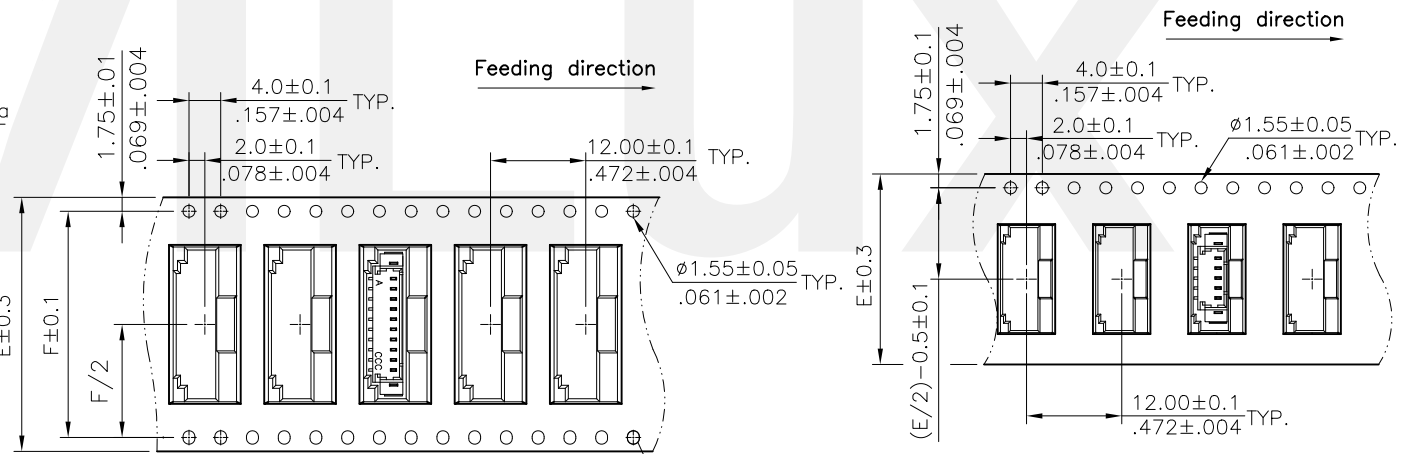
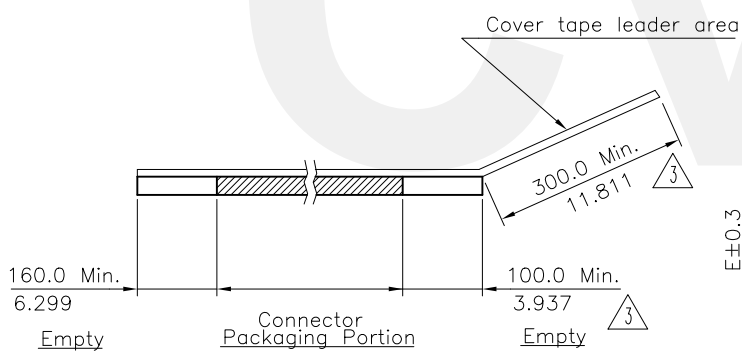
瀚荃股份有限公司  
CviLux Corporation



NOTE :

- \* Reel Material : CORRUGATED PAPER
- \* Carrier Material : Clear, Conductive Polystyrene Alloy
- \* Cover Tape Material : Polyester
- \* Cover Tape Peel Strength : 0.1N – 1.3N
- \* Carrier camber is within 1mm in 100mm
- \* All dimensions meet EIA-481-2 & EIA-481-3 requirements.
- \* Quantity : 1000 PCS/Reel


Circuits	Dimension					Packing (Reel/Caton)
	E	F	W1	W2	W3	
2	16.0(.630)	---	16.5(.650)	22.5(.886)	16.5(.650)	11
3-9	24.0(.945)	---	24.5(.965)	30.5(1.201)	24.5(.965)	9
10-11	32.0(1.260)	28.40(1.118)	32.5(1.280)	38.5(1.516)	32.5(1.280)	7
12-15	44.0(1.732)	40.40(1.591)	44.5(1.752)	50.5(1.988)	44.5(1.752)	5



WIDTH : 16.24 mm Carrier

WIDTH : 32.44 mm Carrier R0.75

RoHS Compliant

4				CIVILUX CORP		DATE	UNIT: mm / inch	TITLE: 1.25MM(.049") STRAIGHT SMT TYPE HEADER	 瀚荃股份有限公司 CviLux Corporation
3	Karen	12/09-14'	ECNT114252/ECRT114090	2015.01.16	DRAWN BY: Karen	12/25-14'	TOLERANCE UNLESS OTHERWISE SPECIFIED	MATERIAL:	
2	Enya	7/26-12'	ECN12176-0 / ECR12061-1	ISSUED	ENGINEER: Sun	12/26-14'	.X ±	.X' ± 1'	DRAWING NO. CI4457SD
1	Tim	11/09-10'	ECR10145-0/ECN10364		CHECKED BY: Eisley	12/29-14'	.XX ±	.X ±	PART NO. CI44**M1V**-NH
SYM	NAME	DATE	REVISIONS		APPROVED BY: Eisley	12/29-14'	.XXX ±	.XX ±	SCALE
									SHEET 2 OF 2