

Note:

1. Material:

- * Insulation: Nylon 6T With 30% GF. 94V-0 ,Color Nature(Halogen-Free)
- * Contact: Brass with Matte Tin plated
- * TAB: Brass with Matte Tin plated

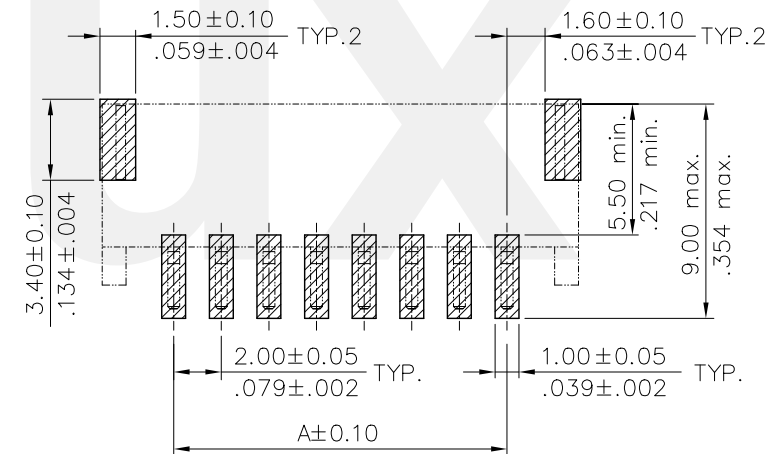
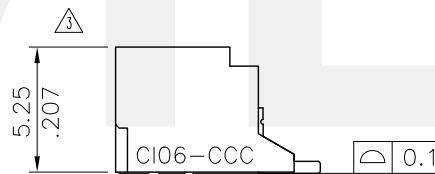
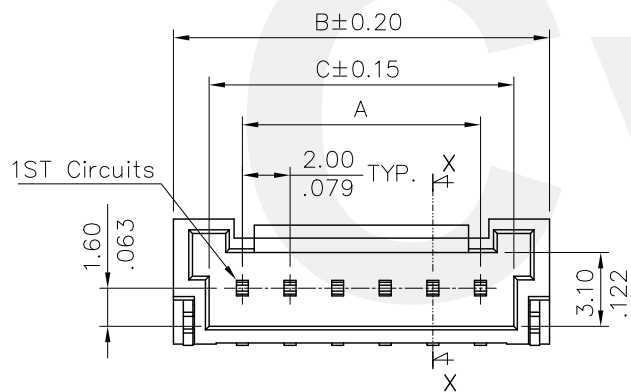
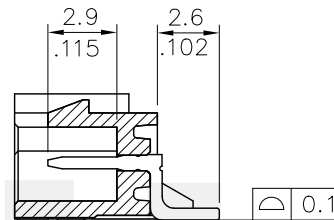
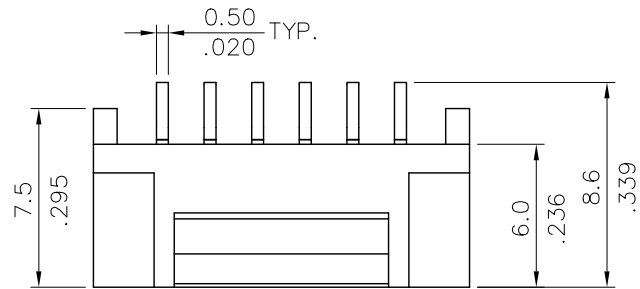
△ 2. For Lead Free IR Reflow Process

Ordering Code:

CI06 ** M 1 H * 0 -NH
 ① ② ③ ④ ⑤ ⑥ ⑦ ⑧

TOLERANCE			
Dim	Circuits	2~6P	7~10P
A		±0.10	±0.15


- ① Series No.
- ② No. of Circuits:
- ③ Contacts Type: M= SMT
- ④ Plating: 1= 3.05μm(120u") Min. Matte Tin over 1.27μm(50u") Nickel
- ⑤ Type: H= Right angle
- ⑥ Packing Options:
R= Tape & Reel
T= Tube Packing
- ⑦ Option: 0= Standard
- ⑧ NH= For Lead Free IR Reflow Process and Halogen-Free



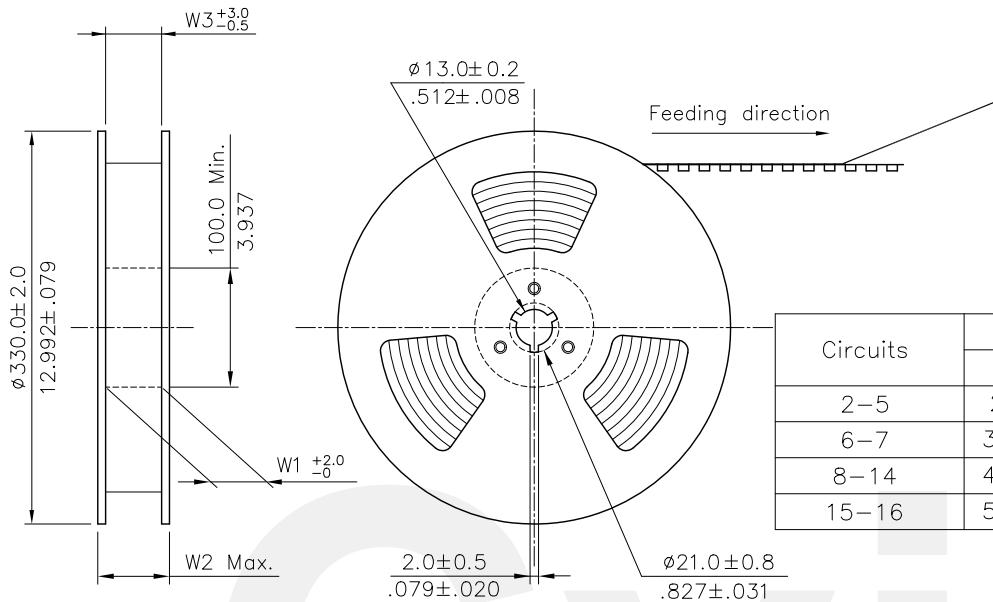
Sold Pad Pattern

- A = 2.00 x No. of Spaces
- △ B = A + 5.8
- △ C = A + 2.8
- △ * Available in 2 through 16 circuits

Halogen-Free Lead Free Process RoHS compliant

△4	Enya	3/8-13'	ECN13056-0/ECR13007-1		DATE	UNIT: mm / inch	TITLE: 2.00mm PITCH SIDE ENTRY	 瀚荃股份有限公司 CviLux Corporation	
△3	Sandy	6/18-10'	ECN10211	DRAWN BY: Enya	3/08-13'	TOLERANCE UNLESS OTHERWISE SPECIFIED	SMT HEADER		
△2	Una	6/9-10'	ECN10194	ENGINEER: Eisley	3/09-13'	.X ± 0.30/012 X: ± 1'	MATERIAL:		
△1	Sun	3/30-10'	ECN10088	CHECKED BY: Eisley	3/09-13'	.XX ± 0.20/008 .X ±	FINISH:		
SYM	NAME	DATE	REVISIONS	APPROVED BY: David	3/09-13'	.XXX ± 0.10/004 .XX ±	DRAWING NO. CIO619SE		PART NO. CIO6**M1H*O-NH
								SCALE 3 / 1	SHEET 1 OF 2

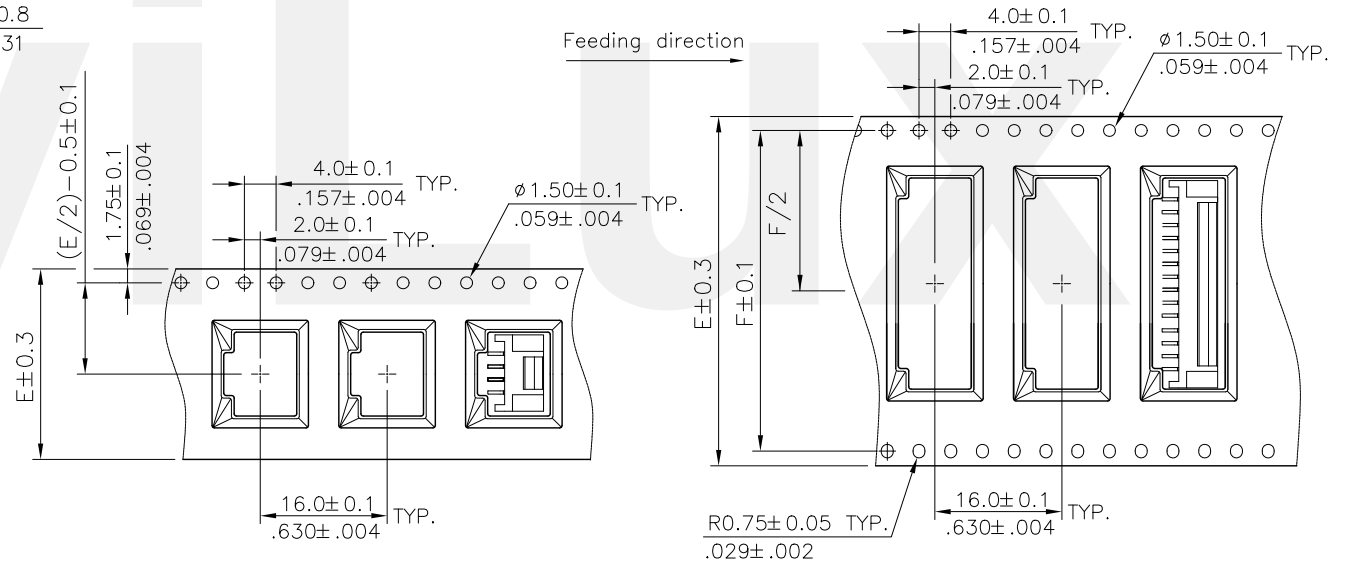
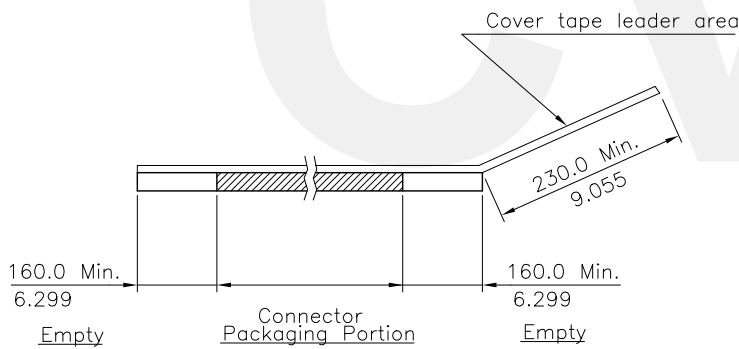
CVILUX CORP
2013.05.07
ISSUED



NOTE :

- * Reel Material : Corrugated Paper
- * Carrier Material : Transparent Anti-static Polysyrene.
- * Cover Tape Material : Polyester
- * Cover Tape Peel Strength : 0.1N – 1.3N
- * Carrier camber is within 1mm in 100mm
- * All dimensions meet EIA-481-2 requirements.
- * Quantity : 700 PCS/Reel

Circuits	Dimension					Packing (Reel/Carton)
	E	F	W1	W2	W3	
2-5	24.0(.945)	-	24.5(.965)	30.5(1.200)	24.5(.965)	9
6-7	32.0(1.260)	28.40(1.118)	32.5(1.280)	38.5(1.516)	32.5(1.280)	7
8-14	44.0(1.732)	40.40(1.596)	44.5(1.752)	50.5(1.988)	44.5(1.752)	5
15-16	56.0(2.205)	52.40(2.063)	56.5(2.224)	62.5(2.461)	56.5(2.224)	4



WIDTH : 24 mm Carrier

WIDTH : 32,44,56 mm Carrier

RoHS Compliant

SYM	NAME	DATE	REVISIONS	APPROVED BY:	DATE	UNIT: mm / inch	TITLE: 2.00mm PITCH SIDE ENTRY SMT HEADER	瀚荃股份有限公司 CviLux Corporation						
4	Enya	3/8-13'	ECN13056-0/ECR13007-1					MATERIAL:	DRAWING NO.	CI0619SE	PART NO.	CI06**M1H*0-NH		
3	Sandy	6/18-10'	ECN10211	DRAWN BY:	Enya	3/08-13'	TOLERANCE UNLESS OTHERWISE SPECIFIED		FINISH:	SCALE		SHEET	2 OF 2	
2	Una	6/9-10'	ECN10194	ENGINEER:	Eisley	3/09-13'	.X ±			.X' ±				
1	Sun	3/30-10'	ECN10088	CHECKED BY:	Eisley	3/09-13'	.XX ±			.X' ±				
				APPROVED BY:	David	3/09-13'	.XXX ±	.X' ±						

CIVILUX CORP
 2013.05.07
 ISSUED