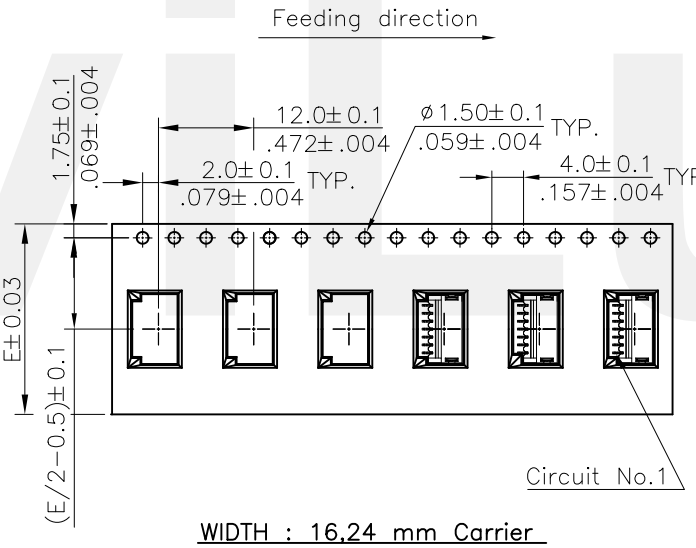
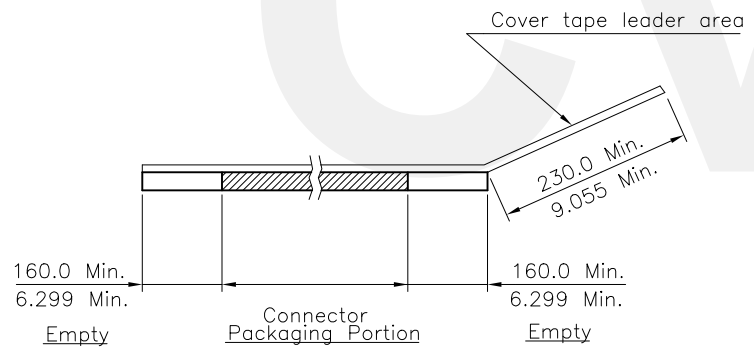
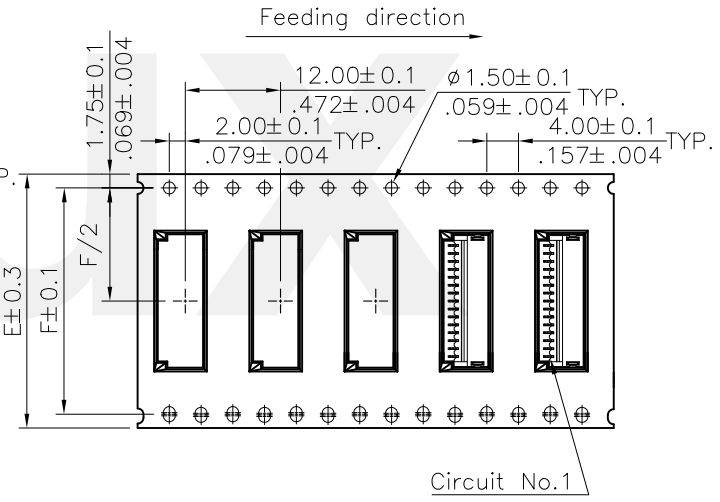


- NOTES:
1. 10 sprocket hole pitch cumulative tolerance  $\pm 0.20$
  2. Carrier camber is within 1 mm in 250 mm.
  3. Material :Transparent ps.
  4. All dimensions meet EIA-481-B requirements.
  5. Thickness :  $0.35 \pm 0.05$ mm.
  6. Packing length per 22" Reel : 67.2 Meters.
  7. Component load per 13" Reel : 1600 pcs.

Circuits	Dimension					Packing (Reel/Carton)
	E	F	W1	W2	W3	
2-4	16.0(.630)	-	16.5(.650)	22.5(.886)	16.5(.650)	11
5-13	24.0(.945)	-	24.5(.965)	30.5(1.200)	24.5(.965)	9
14-20	32.0(1.260)	28.40(1.118)	32.5(1.280)	38.5(1.516)	32.5(1.280)	7



WIDTH : 16.24 mm Carrier



WIDTH : 32 mm Carrier

RoHS Compliant

4					DATE	UNIT: mm / inch	TITLE: 1.00MM(.039")	瀚荃股份有限公司 CviLux Corporation			
3	Ellie	6/3-15'	ECNT115129/ECRH115027	DRAWN BY: Ellie	6/3-15'	TOLERANCE UNLESS OTHERWISE SPECIFIED	WIRE TO BOARD CONNECTOR				
2	Tim	12/20-10'	ECN10402	ENGINEER: Sun	6/4-15'	.X ±	.X' ± "	MATERIAL:	DRAWING NO. CI1410SD	PART NO. CI14**M1HRL-NH	
1	Tim	10/21-10'	ECN10350	CHECKED BY: Eisley	6/4-15'	.XX ±	.X' ±	CUSTOMER:	SCALE	SHEET 2 OF 2	
SYM	NAME	DATE	REVISIONS	APPROVED BY: Eisley	6/4-15'	.XXX ±	.XX' ±				

CVILUX CORP  
 2015.06.11  
 ISSUED