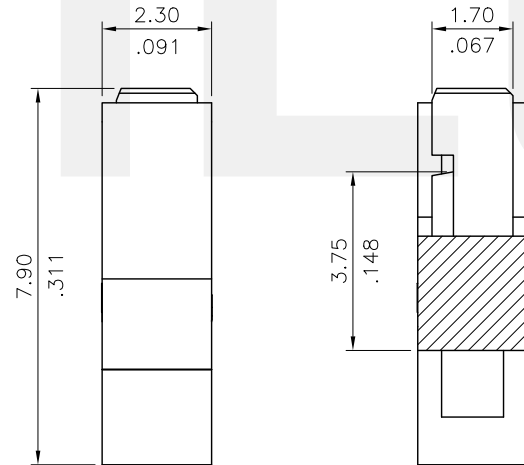
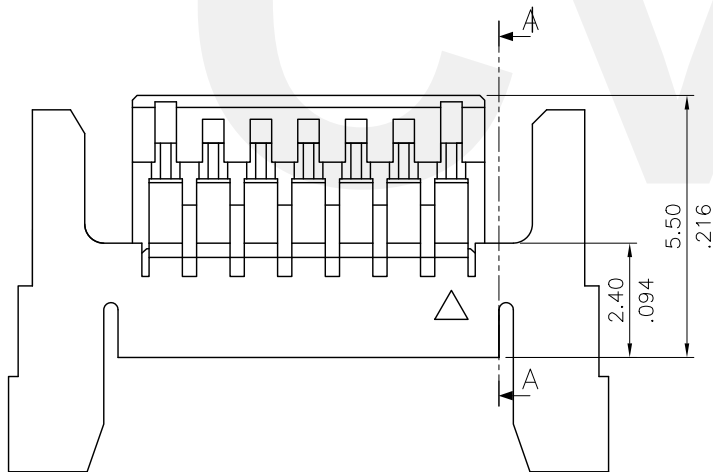
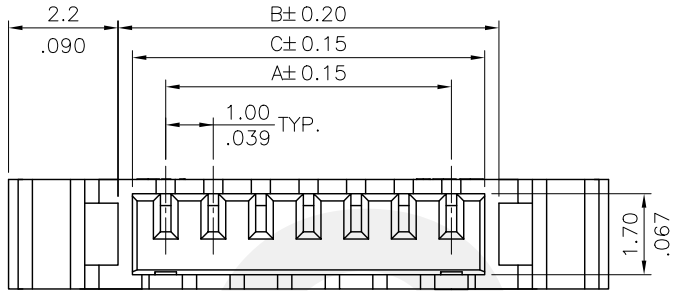


Material:
 NYLON 66 UL 94V-0,
 Color Nature

Ordering Code

CI14 ** S L 00C - NH
 ① ② ③ ④ ⑤ ⑥

- ① Series No.
- ② No. of Circuits: 03~20 Pin
- ③ S= Connector housing
- ④ L= With Locking Latch
- ⑤ 00C= Latch TYPE 2
- ⑥ Other option:
 -NH= Halogen-Free



Circuits	Dimension		
	A	B	C
3	2.0(.079)	4.0(.157)	3.4(.134)
4	3.0(.118)	5.0(.197)	4.4(.173)
5	4.0(.157)	6.0(.236)	5.4(.213)
6	5.0(.197)	7.0(.276)	6.4(.252)
7	6.0(.236)	8.0(.315)	7.4(.291)
8	7.0(.276)	9.0(.354)	8.4(.331)
9	8.0(.315)	10.0(.394)	9.4(.370)
10	9.0(.354)	11.0(.433)	10.4(.409)
11	10.0(.394)	12.0(.472)	11.4(.449)
12	11.0(.433)	13.0(.512)	12.4(.488)
13	12.0(.472)	14.0(.551)	13.4(.528)
14	13.0(.512)	15.0(.591)	14.4(.567)
15	14.0(.551)	16.0(.630)	15.4(.606)
16	15.0(.591)	17.0(.669)	16.4(.646)
17	16.0(.630)	18.0(.709)	17.4(.685)
18	17.0(.669)	19.0(.748)	18.4(.724)
19	18.0(.709)	20.0(.787)	19.4(.764)
20	19.0(.748)	21.0(.827)	20.4(.803)

Halogen-Free

RoHS Compliant

④					DATE	UNIT: mm / inch	TITLE:	瀚荃股份有限公司 CviLux Corporation
③				DRAWN BY: Hank	4/10-12'	TOLERANCE UNLESS OTHERWISE SPECIFIED	C114 SERIES HOUSING	
②				ENGINEER: Eisley	4/16-12'	.X ± 0.25/010 X' ± 1'	MATERIAL:	
①				CHECKED BY: David	4/16-12'	.XX ± 0.15/006 .X' ±	CUSTOMER:	
SYM	NAME	DATE	REVISIONS	APPROVED BY: Daivid	4/16-12'	.XXX ± 0.08/003 .XX' ±		

CIVILUX CORP
 2012.05.28
 ISSUED

DRAWING NO.	CI1471SA	PART NO.	CI14**SL00C-NH
SCALE	6 / 1	SHEET	1 OF 1