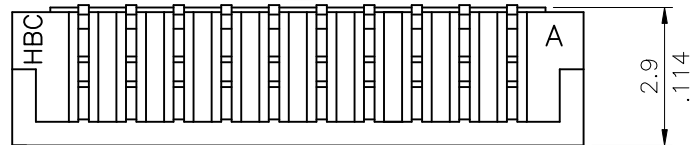
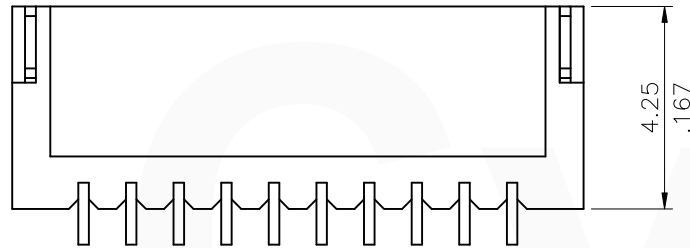


Circuit No.1



DIM. A = 1.00 x NO. OF SPACES  
 DIM. B = DIM. A + 3.0

△ \* AVAILABLE IN 2 THROUGH 18,20,24 AND 26 CIRCUITS

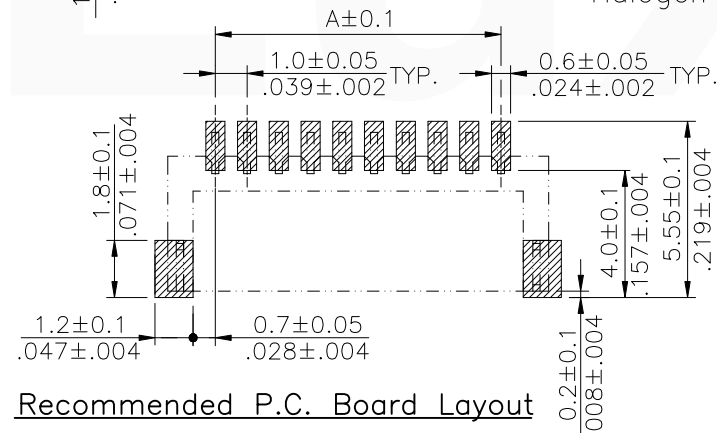
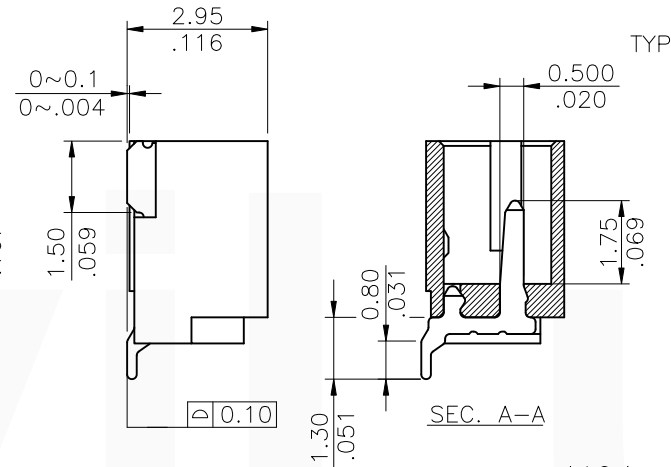
NOTE:

1. Material:  
 Base: Nylon 6T + 30% G.F UL 94V-0  
 Color Nature  
 Contact: Phosphor Bronze  
 Tab: Brass, with Matte Tin plated
2. For Lead Free IR Reflow Process

ORDERING CODE

CI11 \*\* M \* H RO -NH  
 ① ② ③ ④ ⑤ ⑥ ⑦

- ① Series No.
- ② Contacts:
- ③ M= SMT type header
- ④ Plating:  
 1= 100μ" Min. Matte Tin Plated over 50μ" Nickel  
 2= Gold flash plated over 1.27μ(50μ") Nickel
- ⑤ Type: H= Right angle
- ⑥ Option: RO= Tape & reel packing (Without pick & place pad) (Standard)  
 △ TO= Tube packing (Without pick & place pad)
- ⑦ Other option:  
 -NH= For Lead Free IR Processes and Halogen-Free



Recommended P.C. Board Layout

Lead Free Process

Halogen-Free

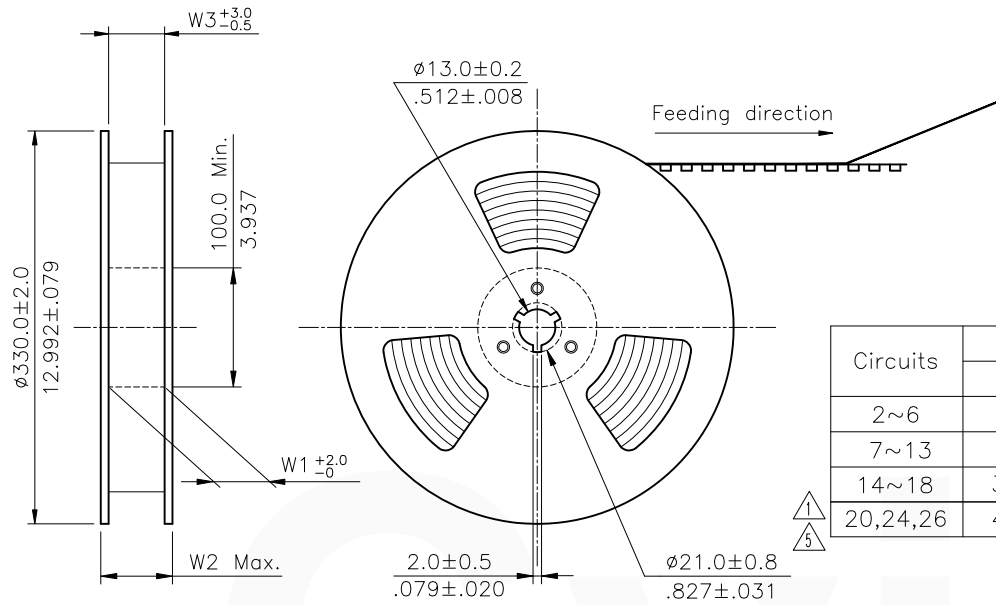
RoHS Compliant

△6	Sun	11/27-19'	ECNT119339		DATE	UNIT: mm / inch	TITLE: 1.00MM(.079")	瀚荃股份有限公司 CviLux Corporation
△6	Ellie	12/19-14'	ECNT114252/ECRT114090	DRAWN BY: Sun	11/29-19'	TOLERANCE UNLESS OTHERWISE SPECIFIED	WIRE TO BOARD CONNECTOR	
△5	Sun	1/28-14'	ECNT114016	ENGINEER: Sun	11/29-19'	.X ± 0.30/.012	MATERIAL:	DRAWING NO. CI1131SH PART NO. CI11**M*H*O-NH
△4	Enya	11/11-13'	ECNT113103/ECRB113027	CHECKED BY: Eisley	12/5-19'	.XX ± 0.20/.008	FINISH:	
SYM	NAME	DATE	REVISIONS	APPROVED BY: Eisley	12/5-19'	.XXX ± 0.10/.004		SCALE 6 / 1 SHEET 1 OF 2

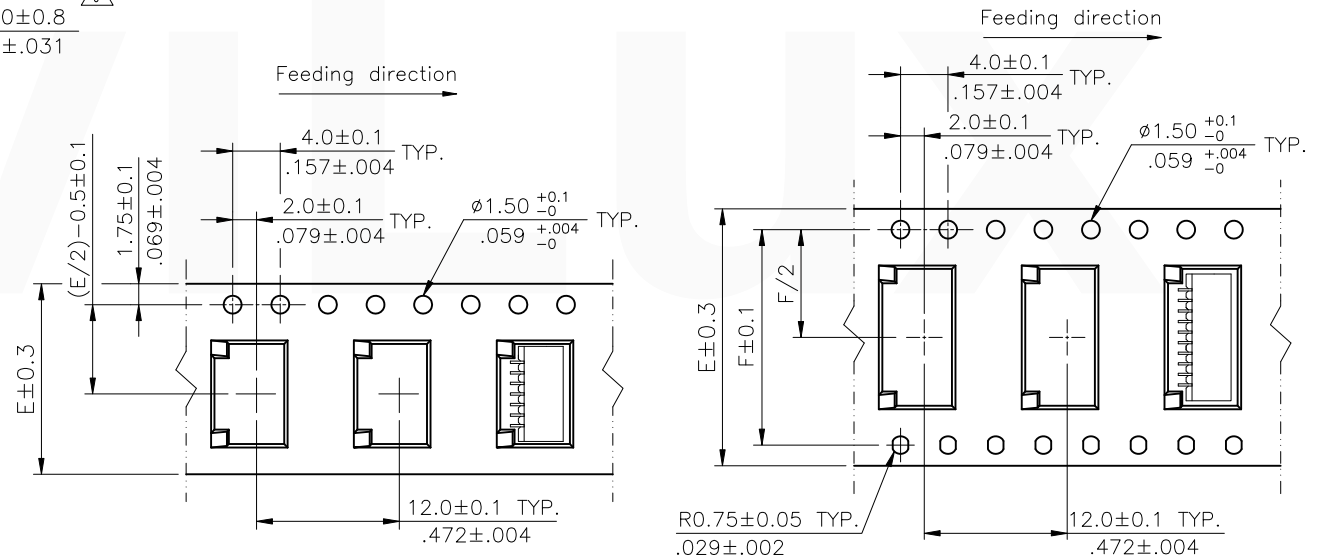
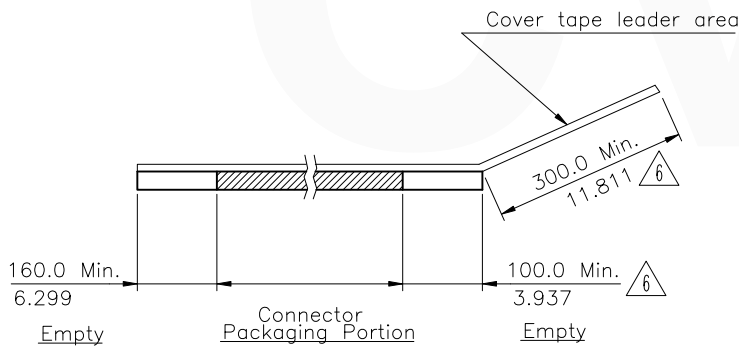
**CVILUX**  
 2019.12.05  
 ISSUED

NOTE :

- △3 \* Reel Material : Corrugated Paper
- \* Carrier Material : Clear, Conductive Polystyrene Alloy
- \* Cover Tape Material : Polyester
- \* Cover Tape Peel Strength : 0.1N – 1.3N
- \* Carrier camber is within 1mm in 100mm
- \* All dimensions meet EIA-481-2 & EIA-481-3 requirements.
- \* Quantity : 1500 PCS/Reel



Circuits	Dimension					Packing (Reel/Carton)
	E	F	W1	W2	W3	
2~6	16.0(.630)	-	16.5(.650)	22.5(.886)	16.5(.650)	11
7~13	24.0(.945)	-	24.5(.965)	30.5(1.200)	24.5(.965)	9
14~18	32.0(1.260)	28.40(1.118)	32.5(1.280)	38.5(1.516)	32.5(1.280)	7
20,24,26	44.0(1.732)	40.40(1.596)	44.5(1.752)	50.5(1.988)	44.5(1.752)	5



WIDTH : 16.24 mm Carrier

WIDTH : 32.44 mm Carrier

RoHS Compliant

△6	Sun	11/27-19'	ECNT119339		DATE	UNIT: mm / inch	TITLE: 1.00MM(.079")	瀚荃股份有限公司 CviLux Corporation
△6	Ellie	12/19-14'	ECNT114252/ECRT114090	DRAWN BY:	Sun	11/29-19'	WIRE TO BOARD CONNECTOR	
△5	Sun	1/28-14'	ECNT114016	ENGINEER:	Sun	11/29-19'	MATERIAL:	DRAWING NO. <b>CI1131SH</b> PART NO. <b>CI11**M*H*0-NH</b>
△4	Enya	11/11-13'	ECNT113103/ECRB113027	CHECKED BY:	Eisley	12/5-19'	FINISH:	
SYM	NAME	DATE	REVISIONS	APPROVED BY:	Eisley	12/5-19'	SCALE	SHEET 2 OF 2

CVILUX  
2019.12.05  
ISSUED