

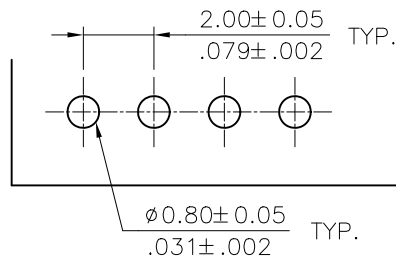
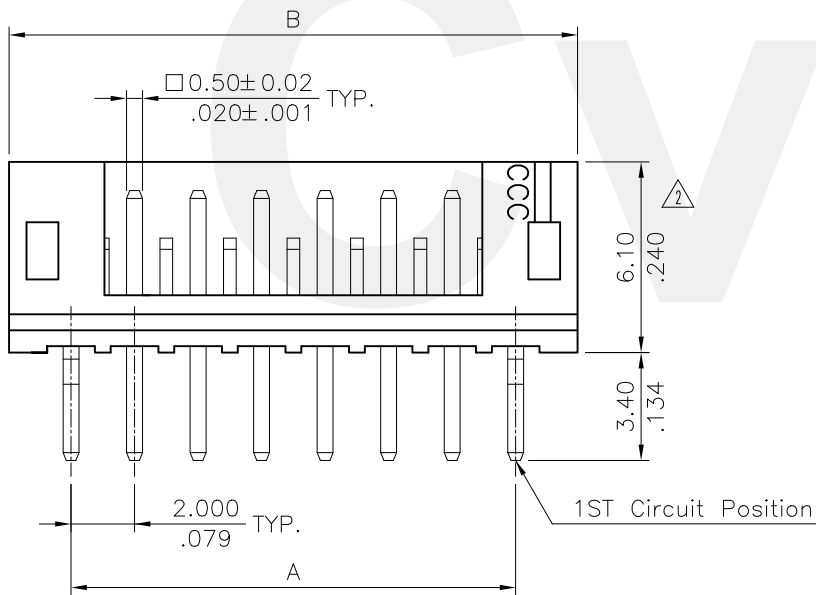
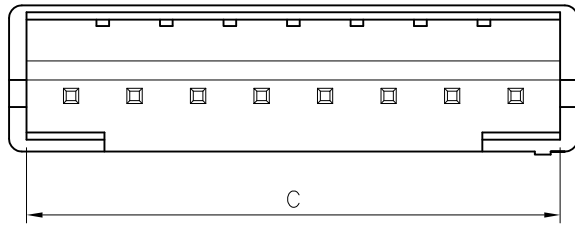
Note:

1. Material:

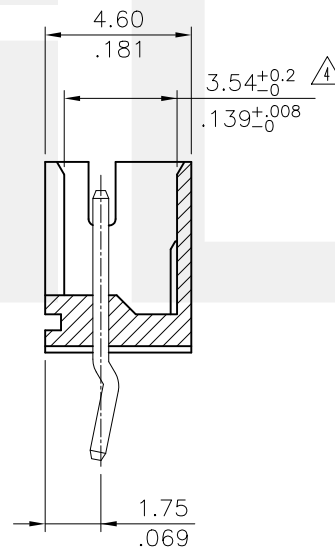
* Insulation: Nylon 66 UL 94V-0
Color Nature

* Contact: Brass

⚠️ 2. For Lead Free Wave Flow Process



Recommended P.C. Board Layout



Ordering Code:

CI01 ** P 1 V K0
① ② ③ ④ ⑤ ⑥

① Series No.

② No. of Circuits:

③ P= Pin header

⚠️ ④ Plating: 1= 3.05μm(120μ") Min. Tin over
0.76μm(30μ") Nickel
2= Gold Flash plated over
1.27μm(50μ") Nickel

⑤ Type: V= Straight

⑥ Other option: K0= With Pin Kinked

Circuits	Dimension		
	A	B	C
2	2.00(.079)	6.0(.236)	4.90(.193)
3	4.00(.157)	8.0(.315)	6.90(.272)
4	6.00(.236)	10.0(.394)	8.90(.350)
5	8.00(.315)	12.0(.472)	10.90(.429)
6	10.00(.394)	14.0(.551)	12.90(.508)
7	12.00(.472)	16.0(.630)	14.90(.587)
8	14.00(.551)	18.0(.709)	16.90(.665)
9	16.00(.630)	20.0(.787)	18.90(.744)
10	18.00(.709)	22.0(.866)	20.90(.823)
11	20.00(.787)	24.0(.945)	22.90(.902)
12	22.00(.866)	26.0(1.024)	24.90(.980)
13	24.00(.945)	28.0(1.102)	26.90(1.059)
14	26.00(1.024)	30.0(1.181)	28.90(1.138)
15	28.00(1.102)	32.0(1.260)	30.90(1.217)
16	30.00(1.181)	34.0(1.338)	32.90(1.295)

Halogen-Free

Lead Free Process

RoHS compliant

SYM	NAME	DATE	REVISIONS	APPROVED BY:	Eisley	7/28-17'	DATE	UNIT: mm / inch
⑥	Sun	7/20-17'	ECNT117146/ECRT117041				DATE	UNIT: mm / inch
⑤	Enya	3/6-13'	ECN13056-0/ECR13007-1	DRAWN BY:	Sun	7/21-17'	TOLERANCE UNLESS OTHERWISE SPECIFIED	
④	SUN	11/02/04'	ECR04096-0/ECN04425	ENGINEER:	Sun	7/21-17'	.X ± 0.30/012	X' ± 1'
③	SANDY	8/05/04'	ECN04300	CHECKED BY:	Eisley	7/28-17'	.XX ± 0.20/008	.X ±
				APPROVED BY:	Eisley	7/28-17'	.XXX ± 0.10/004	.XX ±

TITLE: 2.00MM(.079")
STRAIGHT HEADER

MATERIAL:

FINISH:



瀚荃股份有限公司
CviLux Corporation

DRAWING NO.	CI0102SM	PART NO.	CI01**P*VK0
SCALE	4 / 1	SHEET	1 OF 1

2017.08.04
ISSUED