

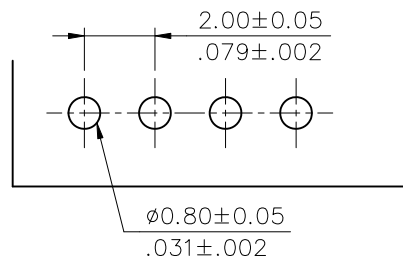
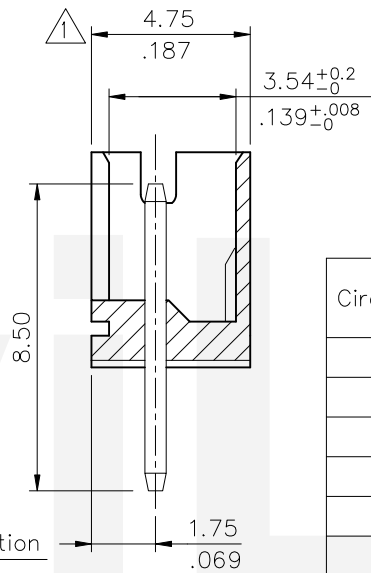
Notes:

- * Insulation: High Temperature Plastic
UL 94V-0 Color Nature
(Halogen-Free)
- * Contact: Brass
- * For Lead Free IR Reflow Process

Ordering Code:

CI01 ** P * V 00 -NH
① ② ③ ④ ⑤ ⑥ ⑦

- ① Series No.
- ② No. of Circuits:
- ③ P= Pin header
- ④ Plating: 1= 2.54 μm (100 $\mu\text{''}$) Min. Matte Tin
over 1.27 μm (50 $\mu\text{''}$) Nickel
2= Gold Flash plated over
1.27 μm (50 $\mu\text{''}$) Nickel
- ⑤ Type: V= Straight
- ⑥ Other option: 00= Without Pin Kinked
- ⑦ -NH= For Lead Free IR Reflow Process
and Halogen-Free



Recommended P.C. Board Layout

Circuits	Dimension		
	A	B	C
2	2.00(.079)	6.0(.236)	4.90(.193)
3	4.00(.157)	8.0(.315)	6.90(.272)
4	6.00(.236)	10.0(.394)	8.90(.272)
5	8.00(.315)	12.0(.472)	10.90(.429)
6	10.00(.394)	14.0(.551)	12.90(.508)
7	12.00(.472)	16.0(.630)	14.90(.587)
8	14.00(.551)	18.0(.709)	16.90(.665)
9	16.00(.630)	20.0(.787)	18.90(.744)
10	18.00(.709)	22.0(.866)	20.90(.823)
11	20.00(.787)	24.0(.945)	22.90(.902)
12	22.00(.866)	26.0(1.024)	24.90(.980)
13	24.00(.945)	28.0(1.102)	26.90(1.059)
14	26.00(1.024)	30.0(1.181)	28.90(1.138)
15	28.00(1.102)	32.0(1.260)	30.90(1.217)
16	30.00(1.181)	34.0(1.338)	32.90(1.295)

Halogen-Free

Lead Free Process

RoHS Compliant

④					DATE	UNIT: mm / inch	TITLE: 2.00MM(.079") STRAIGHT HEADER	瀚荃股份有限公司 CviLux Corporation
③					DRAWN BY: Michelle 4/8-20'	TOLERANCE UNLESS OTHERWISE SPECIFIED	MATERIAL:	
②					ENGINEER: Sun 4/8-20'	.X ± 0.30/.012 X' ± 1'	CUSTOMER: TCF0276	DRAWING NO. CI01152SB
①	Michelle	4/8-20'	ECNT120083		CHECKED BY: Easley 4/9-20'	.XX ± 0.20/.008 X' ±		PART NO. CI01**P*V00-NH
SYM	NAME	DATE	REVISIONS		APPROVED BY: Easley 4/9-20'	.XXX ± 0.10/.004 XX' ±		SCALE 4 / 1
								SHEET 1 OF 1

