

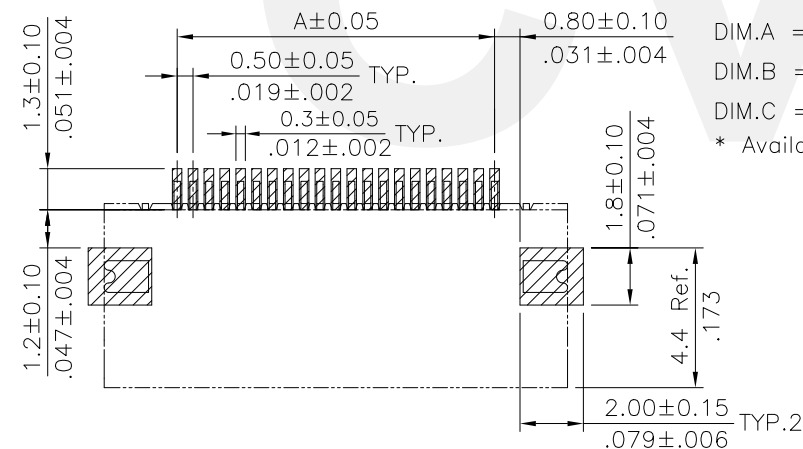
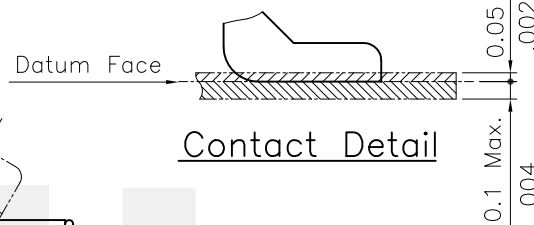
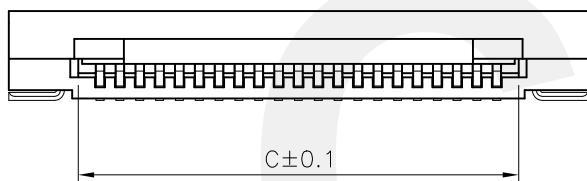
Material :

- \* Body : Nylon 6T With 30% GF. UL 94V-0, Color Nature
- \* Slider : Nylon 6T With 30% GF. UL 94V-0, Color Black
- \* Contact : Phosphor Bronze
- \* Fixed tab : Brass with Tin Plated

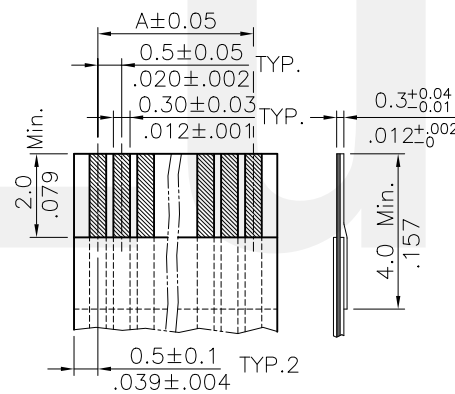
### Ordering Code

CF25 \*\* 1 D 0 \*0 - 05 - NH  
 ① ② ③ ④ ⑤ ⑥ ⑦ ⑧

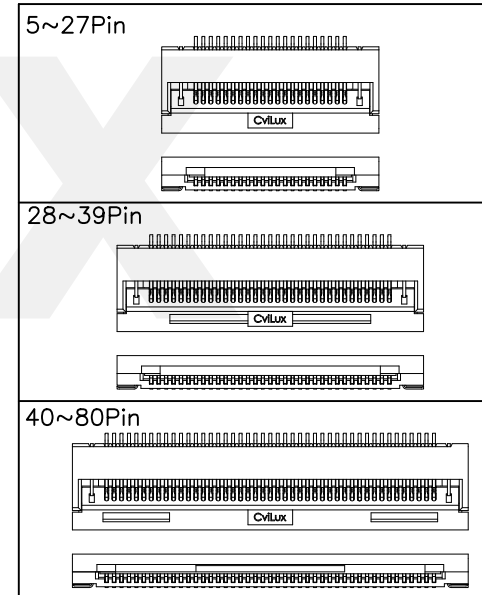
- ① Series No.
- ② No. of Circuits
- ③ Plating code:  
1= Matte Tin plated over Nickel  
2= Gold flash over 50u"min. Nickel
- ④ Contact style: D= Downside contact
- ⑤ Color: 0= Nature
- ⑥ Other option: R0= Tape & Reel  
T0= Tube Packing
- ⑦ Pitch: 05= 0.50 mm
- ⑧ -NH= For Lead Free IR Processes and Halogen-Free



DIM.A = 0.50 x No. of Spaces  
 DIM.B = DIM.A + 4.6  
 DIM.C = DIM.A + 1.1  
 \* Available in 5 through 80 circuits



### Accommodated FFC/FPC



### Recommended P.C. Board Layout

Halogen-Free    Lead Free Process    RoHS compliant

④					DATE	UNIT: mm / inch	TITLE: 0.50mm(.020") ZIF FFC/FPC ONE-TOUCH CONNECTOR	
③					DRAWN BY: Sandy	2/23-16'	TOLERANCE UNLESS OTHERWISE SPECIFIED	
②	Sandy	2/16-16'	ECNT116028/ECRB116002		ENGINEER: Sun	2/26-16'	MATERIAL:	
①	Enya	11/06-12	ECN12272-0/ECR12080-1		CHECKED BY: Eisley	3/04-16'	.X ± 0.15/006    .X' ± 1'	FINISH:
SYM	NAME	DATE	REVISIONS		APPROVED BY: Eisley	3/04-16'	.XX ± 0.10/004    .X ±	
							.XXX ± 0.05/002    .XX ±	
DRAWING NO.		CF2520SC	PART NO.		CF25***D0*0-05-NH			
SCALE		5 / 1	SHEET		1 OF 2			

瀚荃股份有限公司  
CviLux Corporation

