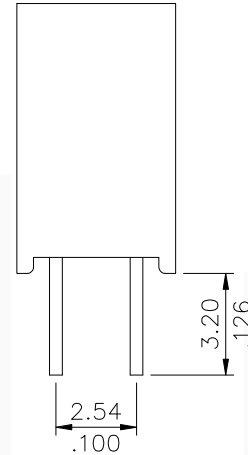
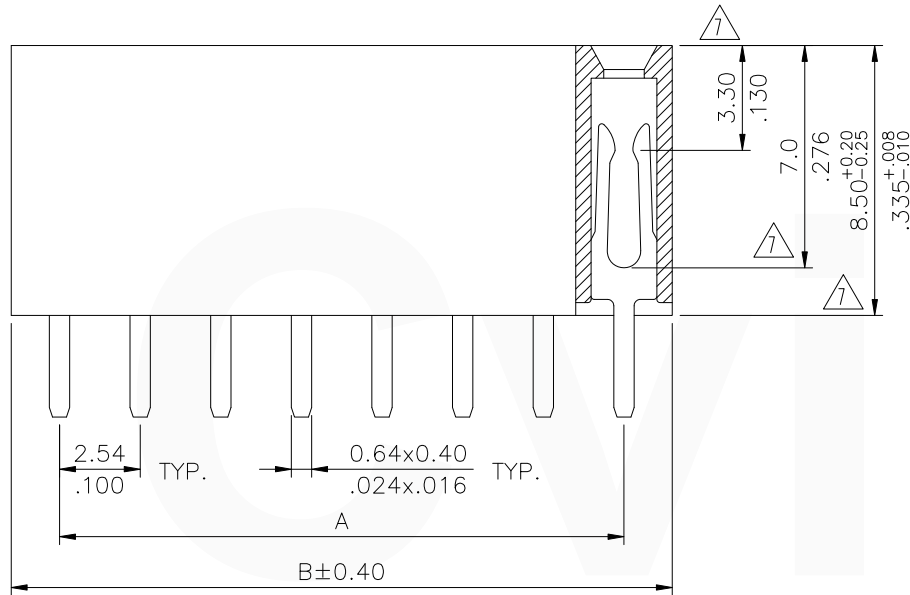
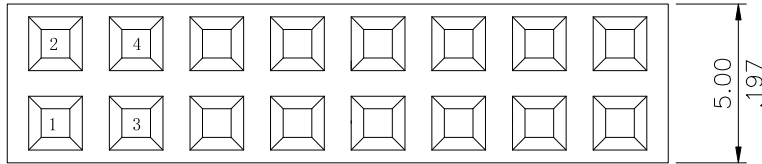


Material:

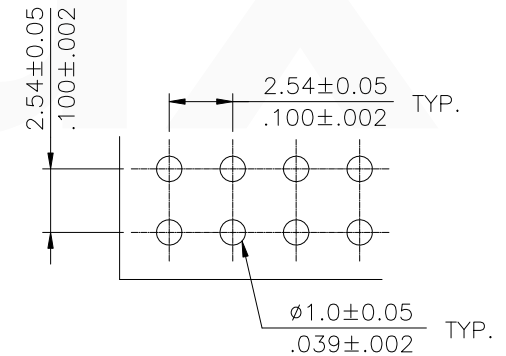
- ⚠️ * Insulation: PBT With 30% G.F. UL 94V-0
- * Contact: Brass



Ordering Code:

CB91 ** 2 V 1 00
 ① ② ③ ④ ⑤ ⑥

- ① Series No.
- ② NO. of Circuits:
- ③ Plating code:
2= Gold flash plated over 1.27μm(50μ") Nickel
- ④ Tail Style: V= Straight
- ⑤ Color: 1= Black
- ⑥ Other options: 00= Standard



Recommended P.C. Board Layout

PIN	Tolerance
04~40	±0.20
42~80	±0.35

A = 2.54 * No. of Spaces

B = A + 3.04

⚠️ * Available in 4 ~ 80 circuits

RoHS Compliant

SYM	NAME	DATE	REVISIONS	APPROVED BY:	DATE	UNIT: mm / inch	TITLE: 2.54MM(.100") DUAL ROW BOARD MOUNT CONNECTOR	瀚荃股份有限公司 CviLux Corporation				
7	Karen	9/23-19'	ECNT119300/ECRS119004	<div style="border: 2px solid red; border-radius: 50%; padding: 5px; display: inline-block;"> CVILUX 2019.11.07 ISSUED </div>	DATE	UNIT: mm / inch	MATERIAL:	DRAWING NO.	CB9101SM	PART NO.	CB91**2V100	
6	Enya	1/25-13'	ECN13024-0/ECR12113-0		DRAWN BY: Karen	11/1-19'		TOLERANCE UNLESS OTHERWISE SPECIFIED	FINISH:	SCALE	3 / 1	SHEET
5	Enya	10/22-12'	ECN12256-0/ECR12081-0		ENGINEER: Sun	11/1-19'	.X ± 0.25/.010 X.' ± 3'	DRAWING NO.		CB9101SM	PART NO.	CB91**2V100
4	Karen	10/21-11'	ECN11244/ECR11083-0		CHECKED BY: Eisley	11/5-19'	.XX ± 0.20/.008 .X' ±		SCALE			
SYM	NAME	DATE	REVISIONS	APPROVED BY:	DATE	.XXX ± 0.10/.004 .XX' ±						