

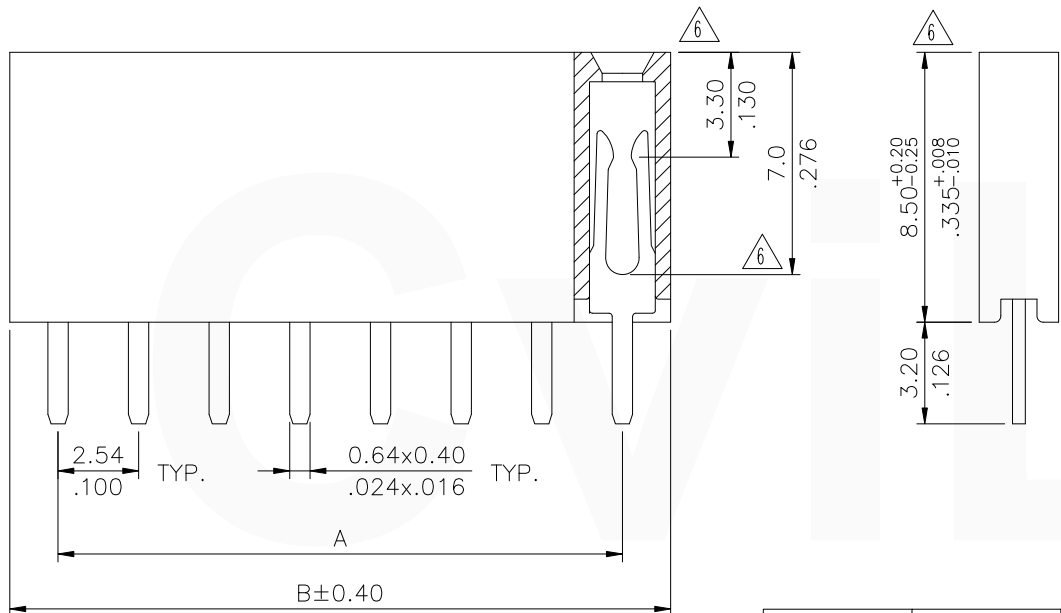
Material:

- ⚠️ * Insulation: PBT With 30% G.F. UL 94V-0
- * Contact: Brass

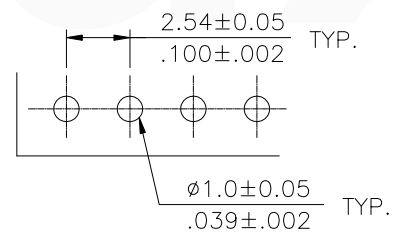
Ordering Code:

CB39 ** 2 V 1 00
 ① ② ③ ④ ⑤ ⑥

- ① Series No.
- ② NO. of Circuits:
- ⚠️ ③ Plating code:
2= Gold flash plated over 0.76μm(30μ") Nickel
- ④ Tail Style: V= Straight
- ⑤ Color: 1= Black
- ⑥ Other options: 00= Standard



PIN	Tolerance
02~20	±0.20
21~40	±0.30



Recommended P.C. Board Layout

A = 2.54 * No. of Spaces
 B = A + 3.04
 * Available in 2 through 40 circuits

RoHS Compliant

⑥	Karen	9/23-19'	ECNT119300/ECRS119004	CVILUX 2019.11.07 ISSUED	DATE	UNIT: mm / inch	TITLE: 2.54MM(.100") SINGLE ROW BOARD MOUNT CONNECTOR	瀚荃股份有限公司 CviLux Corporation	
⑤	Enya	10/22-12	ECN12256-0/ECR12081-0		DRAWN BY: Karen	11/1-19'			TOLERANCE UNLESS OTHERWISE SPECIFIED
④	Sun	1/22-07'	ECN07036		ENGINEER: Sun	11/1-19'			.X ± 0.25/.010 X.* ± 3'
③	HANK	4/24-06'	ECN06141/ECR0634-0		CHECKED BY: Eisley	11/5-19'			.XX ± 0.20/.008 .X.* ±
SYM	NAME	DATE	REVISIONS		APPROVED BY: Eisley	11/5-19'			.XXX ± 0.10/.004 .XX.* ±
MATERIAL:								DRAWING NO. CB3901SM	PART NO. CB39**2V100
FINISH:								SCALE 4 / 1	SHEET 1 OF 1