

PCB LAYOUT

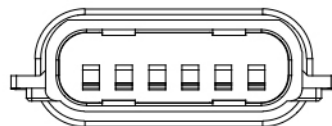
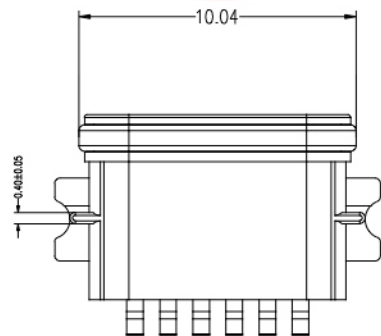


TABLE B

A5	CC1	B12	GND
A9	VBUS	B9	VBUS
A12	GND	B5	CC2
PIN	SIGNAL NAME	PIN	SIGNAL NAME

Note:

1. Material:

- 1.1 Housing: LCP
- 1.2 Contact: C5191, t=0.20mm
- 1.3 Shell: Zinc Alloy.

2. ELECTRICAL:

- 2-1: CURRENT RATING:  
VBUS AND GND CONTACTS RATED AT 1.25A PARALLELED FOR A TOTAL OF 5A;
- 2-2: INITIAL CONTACT RESISTANCE :40 MEGOHMS
- 2-3: DIELECTRIC WITHSTANDING VOLTAGE:  
100V AC MIN;
- 3: MECHANICAL CHARACTERISTICS:
- 3-1: MATING FORCE: 5~20N
- 3-2: UNMATING FORCE: 8~20N (INITIAL),  
6~20N (AFTER 10000 CYCLES)
- 3-3: FREQUENCY: 200±50 CYCLES / HOUR, 10000 CYCLES
- 3-4: OPERATING TEMPERATURE ; -55°~85°.
- 4: WATERPROOF: IP-X7.



G-Switch Electronic (HongKong) CO., Ltd.

Unless otherwise specified, Tolerance:  
 X.           ±0.30  
 X.x         ±0.20  
 X.xx       ±0.15  
 X.xxx      ±0.10  
 Angles     ±3°

DESIGN FengFengChen   DATE 2019.05.29  
 CHECKED                   DATE  
 APPROVED                 DATE  
<http://www.dg-switch.com>  
 TEL: 0769-82388879

Molde code:  
**GT-USB-7008**  
 REV.: X1   SCALE: 4:1   UNIT: mm  
 SIZE: A4   SHEET: 1/1

