

PRODUCT NO. DSWB05LHGETB	RoHS compliant
-----------------------------	----------------

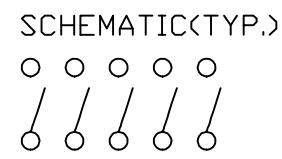
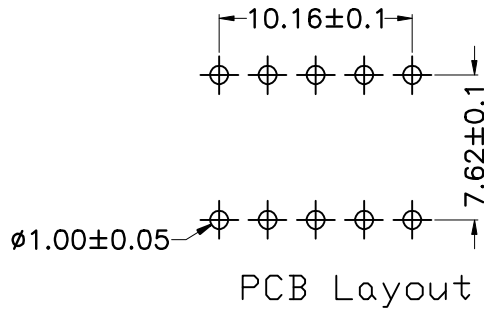
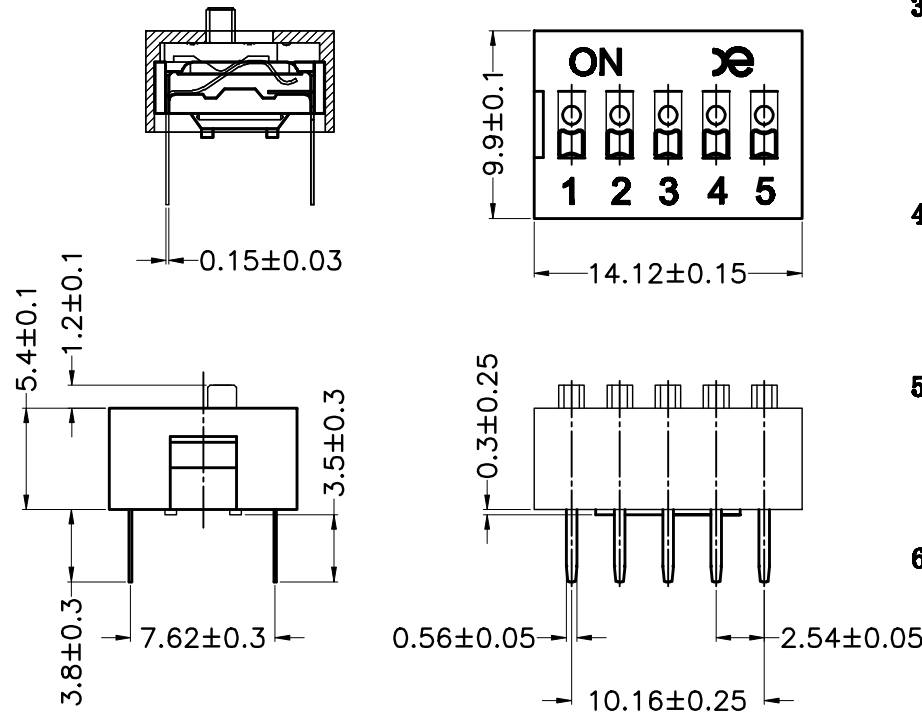
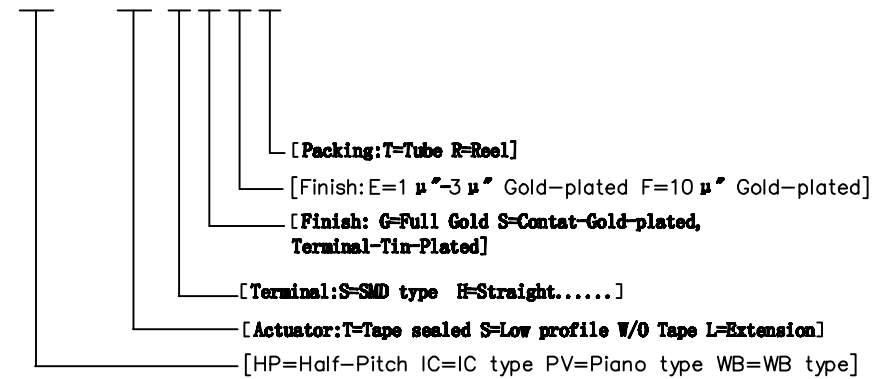
REV.	ECN NO.	DR	DATE

Note:

- All dimensions are in millimeters.
- General tolerance: $\pm 0.2\text{mm}$.
- Material:
 - Base: UL94V-0 PBT Thermoplastic (Black).
 - Cover: UL94V-0 PBT Thermoplastic (Black/Red/Blue).
 - Actuators: UL94V-0 PBT Thermoplastic (White).
 - Contact plating: Gold plating over nickel.
 - Pitting material: Epoxy.
- Electrical
 - Electrical: 2000 Operations per switch 24/VDC, 25mA.
 - Non-Switching Rating: 100mA, 50/VDC.
 - Switching Rating: 25mA, 24/VDC
 - Contact Resistance: 100 m Ω Max. at initial.
- Mechanical
 - Mechanical life: 2000 Operations per switch.
 - Stroke: 2.0mm.
 - Operation Temp: -20°C to 70°C.
 - Storage Temp: -40°C to 85°C.

6. PART NUMBER DESCRIPTION:

DS WB 05 L H G E T B



- 注意:**
- 波峰焊: 推荐焊锡温度在270°C ± 5 °C, 浸锡时间为5~6秒钟。
 - 手工焊: 使用30瓦烙铁控制温度在320°C, 焊接时间大约2~3秒钟。
 - 拨柄位置: 产品焊接时, 请将产品的拨柄置于OFF端, 能给予产品更好的接触性能。
 - 清洗过程: 清洗使用超声波方式, 能给予更好的效果。

TOLERANCE UNLESS OTHERWISE SPECIFIED		INSPECTION COPY	<p>东莞市广誉实业有限公司 DongGuan Kingtek Industrial Co., Ltd.</p>
LINER	ANGLES	PROJECTION	
.0 \pm 0.30	0. \pm 1'		TITLE
.00 \pm 0.20	.0 \pm 0.5'		BY DSWB SERIES PITCH 2.54mm
.000 \pm 0.10	.00 \pm	PRODUCT FAMILY DSWB SERIES	
DESIGN LU ER XIN	2013/07/02	PRAT NO.	DSWB05LHGETB
DRAWING		FILE NO.	DSWB05LHGETB-A
CHECK		SIZE	A4
APPRO.		UNIT	mm
		SCALE	FIT
		SHEET	1 OF 1
		REV.	A