

NOTE:

1. MATERIAL:

- 1.1 INSULATOR: HIGH TEMPERATURE PLASTIC UL 94 V-0; Black Color
- 1.2 CONTACT: C7025(T=0.12mm)
- 1.3 SHELL: STAINLESS STEEL(T=0.20mm)
- 1.4 COVER SHELL: STAINLESS STEEL(T=0.20mm)
- 1.5 INNER GROUND COVER SHELL: STAINLESS STEEL(T=0.10mm)
- 1.6 MID PLATE: STAINLESS STEEL(T=0.10mm)

2. ELECTRICAL CHARACTERISTICS:

- 2.1 CONTACT RESISTANCE: 40mΩ Max FOR INITIAL. 10mΩ CHANGE AFTER TEST. MEASURE AT 20mV, 100mA.
- 2.2 CONTACT CURRENT RATING: 5A FOR COLLECTIVELY POWER SUPPLY PIN(PINA1,A4,A9,A12,B1,B4,B9,B12); 1.25A FOR VCINN PIN; 0.25A FOR OTHER SIGNAL PIN.
- 2.3 DIELECTRIC WITHSTANDING VOLTAGE: 100V AC R.M.S.
- 2.4 INSULATION RESISTANCE 100MΩ Min
- 2.5 OPERATING TEMPERATURE: -40°C~ 85°C

3. MECHANICAL CHARACTERISTICS:

- 3.1 MATING FORCE: 5-20 N.
- 3.2 UNMATED FORCE: 8-20N INITIAL TEST; 6-20N DURABILITY AFTER TEST
- 3.3 DURABILITY: 10,000 CYCLES

4. PLATING

- 4.1 TERMINAL CONTACT: (SEE TAB) GOLD PLATING ON CONTACT AREA, ALL OVER 50u" Min NICKEL AND 80u" Min Matte Tin ALL OVER 50u" Min NICKEL ON SOLDER AREA
- 4.2 SHELL: 50u" Min. NICKEL ALL OVER,
- 4.3 COVER SHELL: 80u" Min. NICKEL ALL OVER,
- 4.4 INNER GROUND COVER SHELL: CLEAN
- 4.5 MID PLATE: CLEAN

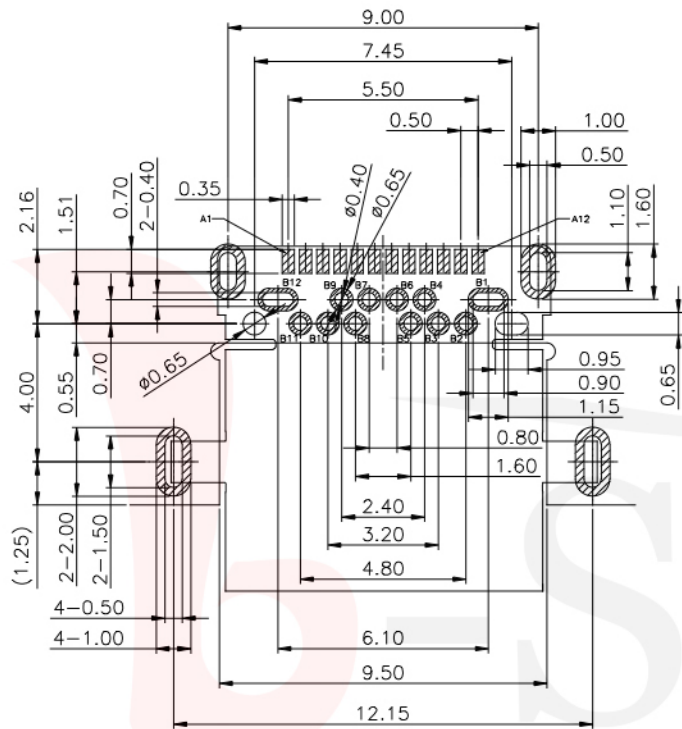


G-Switch Electronic (HongKong) CO.,Ltd.

Unless otherwise specified, Tolerance:  
 X. ±0.30  
 X.x ±0.20  
 X.xx ±0.15  
 X.xxx ±0.10  
 Angles ±3°

DESIGN FengFengChen DATE 2019.05.29  
 CHECKED DATE  
 APPROVED DATE  
<http://www.dg-switch.com>  
 TEL:0769-82388879

Molde code:  
**GT-USB-7009A**  
 REV.: X1 SCALE: 4:1 UNIT: mm  
 SIZE: A4 SHEET: 1/1



RECOMMEND P.C.B LAYOUT(COMPONENT SIDE)

TOLERANCE FOR PCB LAYOUT IS  $\pm 0.05$

KEEP OUT AREA

USB TYPE-C FULL-FEATURED RECEPTACLE INTERFACE PIN ASSIGNMENTS

	Description		Description
	Ground return		Ground return
SSTXp1	Positive half of first SuperSpeed TX differential pair	t	SSRXp1 Positive half of first SuperSpeed RX differential pair
SSTXn1	Negative half of first SuperSpeed TX differential pair	B10	SSRXn1 Negative half of first SuperSpeed RX differential pair
VBUS	Bus Power		VBUS Bus Power
CC1	Configuration Channel		SBU2 Sideband Use (SBU)
Dp1	Positive half of the USB 2.0 differential pair-Position 1		Dn2 USB 2.0 differential pair-Position 2
Dn1	Negative half of the USB 2.0 differential pair-Position 1		Dp2 USB 2.0 differential pair-Position 2
SBU1	Sideband Use(SBU)	B5	CC2 Configuraation Channel
VBUS	Bus Power		VBUS Bus Power
SSRXn2	Negative half of second SuperSpeed RX differential pair		SSTXn2 Negative half of second SuperSpeed TX differential pair
SSRXp2	Positive half of second SuperSpeed RX differential pair		SSTXp2 Positive half of second SuperSpeed TX differential pair
GND	Ground return		GND Ground return



**b-Switch** 品贊科技® **G-Switch Electronic (HongKong) CO.,Ltd.**

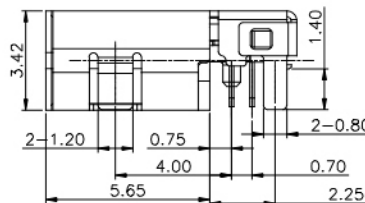
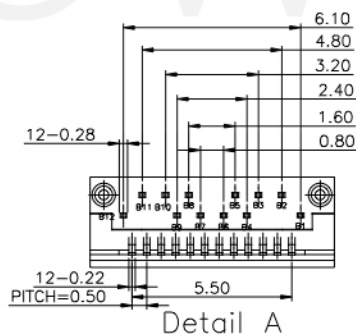
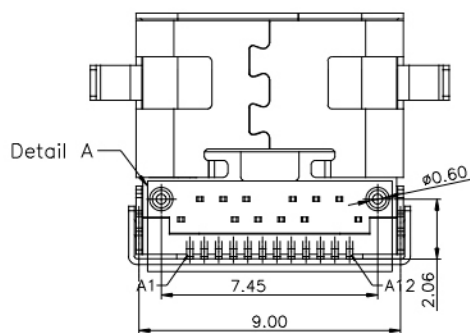
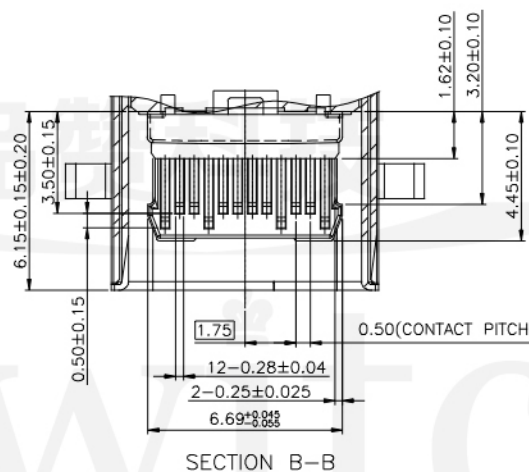
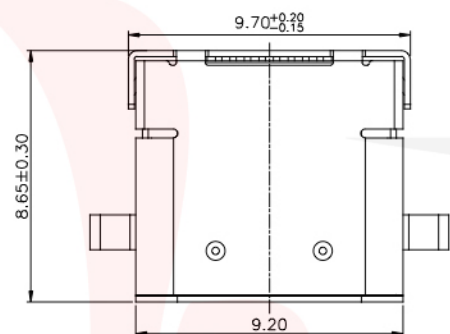
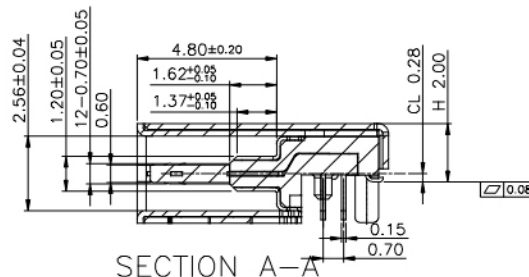
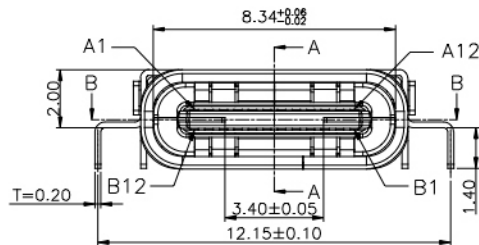
Unless otherwise specified, Tolerance:  
 X.  $\pm 0.30$   
 X.x  $\pm 0.20$   
 X.xx  $\pm 0.15$   
 X.xxx  $\pm 0.10$   
 Angles  $\pm 3^\circ$

DESIGN FengFengChen DATE 2019.05.29  
 CHECKED DATE  
 APPROVED DATE

http://www.dg-switch.com  
 TEL:0769-82388879

Molde code:  
**GT-USB-7009A**

REV.: X1 SCALE: 4:1 UNIT: mm  
 SIZE: A4 SHEET: 1/1



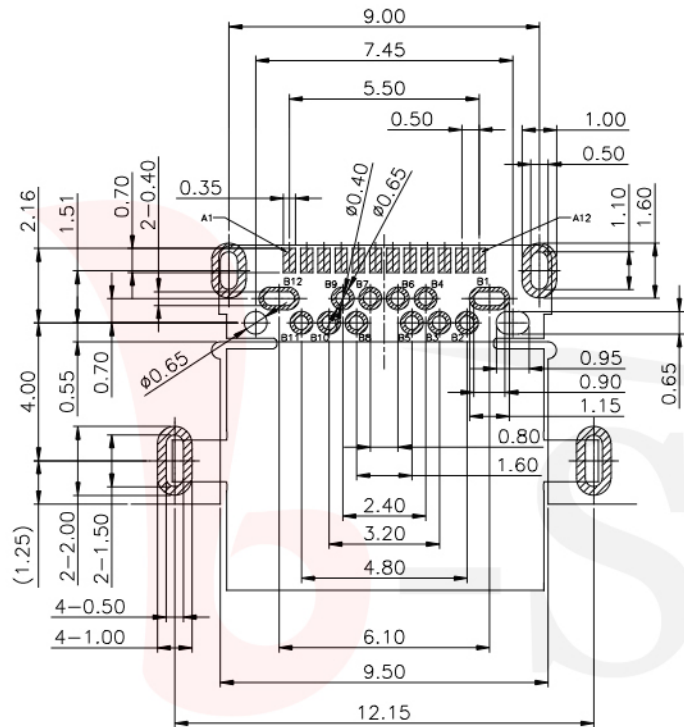
- NOTE:
- MATERIAL:
    - INSULATOR: HIGH TEMPERATURE PLASTIC UL 94 V-0; Black Color
    - CONTACT: C7025(T=0.12mm)
    - SHELL: STAINLESS STEEL(T=0.20mm)
    - COVER SHELL: STAINLESS STEEL(T=0.20mm)
    - INNER GROUND COVER SHELL: STAINLESS STEEL(T=0.10mm)
    - MID PLATE: STAINLESS STEEL(T=0.10mm)
  - ELECTRICAL CHARACTERISTICS:
    - CONTACT RESISTANCE: 40mΩ Max FOR INITIAL. 10mΩ CHANGE AFTER TEST MEASURE AT 20mV, 100mA.
    - CONTACT CURRENT RATING: 5A FOR COLLECTIVELY POWER SUPPLY PIN(PINA1,A4,A9,A12,B1,B4,B9,B12); 1.25A FOR VCONN PIN; 0.25A FOR OTHER SIGNAL PIN.
    - DIELECTRIC WITHSTANDING VOLTAGE: 100V AC R.M.S.
    - INSULATION RESISTANCE 100MΩ Min
    - OPERATING TEMPERATURE: -40°C~ 85°C
  - MECHANICAL CHARACTERISTICS:
    - MATING FORCE: 5~20 N.
    - UNMATED FORCE: 8~20N INITIAL TEST; 6~20N DURABILITY AFTER TEST
    - DURABILITY: 10,000 CYCLES
  - PLATING
    - TERMINAL CONTACT: (SEE TAB) GOLD PLATING ON CONTACT AREA, ALL OVER 50u" Min NICKEL AND 80u" Min Matte Tin ALL OVER 50u" Min NICKEL ON SOLDER AREA
    - SHELL: 50u" Min. NICKEL ALL OVER,
    - COVER SHELL: 80u" Min. NICKEL ALL OVER,
    - INNER GROUND COVER SHELL: CLEAN
    - MID PLATE: CLEAN



**b-Switch** 品贊科技®

**G-Switch Electronic (HongKong) CO.,Ltd.**

Unless otherwise specified, Tolerance: X. ±0.30 X.x ±0.20 X.xx ±0.15 X.xxx ±0.10 Angles ±3°	DESIGN FengFengChen CHECKED DATE APPROVED DATE	DATE 2019.05.29	Molde code: <b>GT-USB-7009B</b>
	<a href="http://www.dg-switch.com">http://www.dg-switch.com</a>		REV.: X1 SCALE: 4:1 UNIT: mm
	TEL:0769-82388879		SIZE: A4 SHEET: 1/1



RECOMMEND P.C.B LAYOUT(COMPONENT SIDE)  
 TOLERANCE FOR PCB LAYOUT IS  $\pm 0.05$   
 KEEP OUT AREA

USB TYPE-C FULL-FEATURED RECEPTACLE INTERFACE PIN ASSIGNMENTS

PIN	Signal Name	Description	PIN	Signal Name	Description
A1	GND	Ground return	B12	GND	Ground return
A2	SSTXp1	Positive half of first SuperSpeed TX differential pair	B11	SSRXp1	Positive half of first SuperSpeed RX differential pair
A3	SSTXn1	Negative half of first SuperSpeed TX differential pair	B10	SSRXn1	Negative half of first SuperSpeed RX differential pair
A4	VBUS	Bus Power	B9	VBUS	Bus Power
A5	CC1	Configuration Channel	B8	SBU2	Sideband Use (SBU)
A6	Dp1	Positive half of the USB 2.0 differential pair-Position 1	B7	Dn2	Negative half of the USB 2.0 differential pair-Position 2
A7	Dn1	Negative half of the USB 2.0 differential pair-Position 1	B6	Dp2	Positive half of the USB 2.0 differential pair-Position 2
A8	SBU1	Sideband Use(SBU)	B5	CC2	Configuraation Channel
A9	VBUS	Bus Power	B4	VBUS	Bus Power
A10	SSRXn2	Negative half of second SuperSpeed RX differential pair	B3	SSTXn2	Negative half of second SuperSpeed TX differential pair
A11	SSRXp2	Positive half of second SuperSpeed RX differential pair	B2	SSTXp2	Positive half of second SuperSpeed TX differential pair
A12	GND	Ground return	B1	GND	Ground return

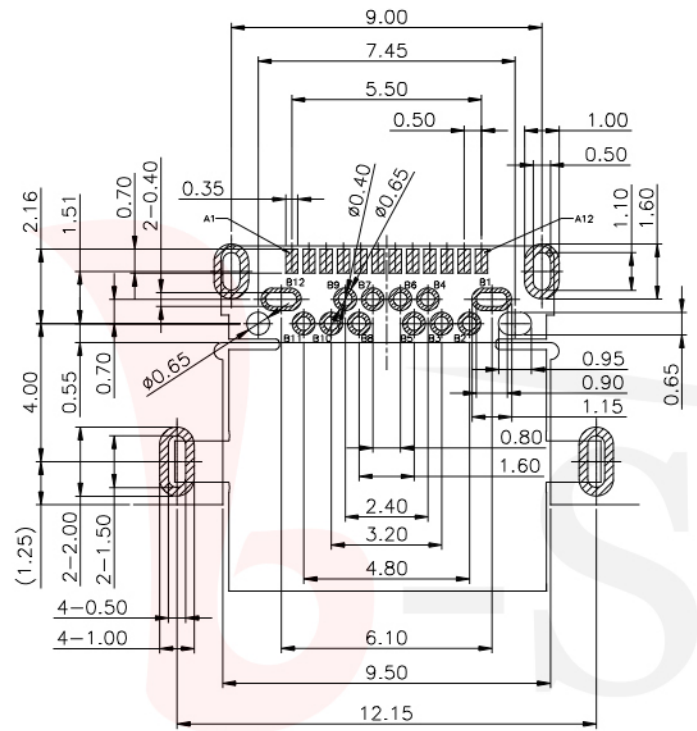


**b-Switch** 品赞科技® **G-Switch Electronic (HongKong) CO.,Ltd.**

Unless otherwise specified, Tolerance: X. $\pm 0.30$ X.x $\pm 0.20$ X.xx $\pm 0.15$ X.xxx $\pm 0.10$ Angles $\pm 3^\circ$	DESIGN FengFengChen	DATE 2019.05.29	Molde code:		
	CHECKED	DATE	<b>GT-USB-7009B</b>		
	APPROVED	DATE			
	<a href="http://www.dg-switch.com">http://www.dg-switch.com</a>			REV.: X1	SCALE: 4:1
TEL:0769-82388879			SIZE: A4	SHEET: 1/1	







RECOMMEND P.C.B LAYOUT(COMPONENT SIDE)  
 TOLERANCE FOR PCB LAYOUT IS  $\pm 0.05$   
 KEEP OUT AREA

USB TYPE-C FULL-FEATURED RECEPTACLE INTERFACE PIN ASSIGNMENTS

PIN	Signal Name	Description	PIN	Signal Name	Description
A1	GND	Ground return	B12	GND	Ground return
A2	SSTXp1	Positive half of first SuperSpeed TX differential pair	B11	SSRXp1	Positive half of first SuperSpeed RX differential pair
	SSTXn1	Negative half of first SuperSpeed TX differential pair	B10	SSRXn1	Negative half of first SuperSpeed RX differential pair
A4	VBUS	Bus Power	B9	VBUS	Bus Power
A5	CC1	Configuration Channel	B8	SBU2	Sideband Use (SBU)
A6	Dp1	Positive half of the USB 2.0 differential pair-Position 1	B7	Dn2	Negative half of the USB 2.0 differential pair-Position 2
A7	Dn1	Negative half of the USB 2.0 differential pair-Position 1	B6	Dp2	Positive half of the USB 2.0 differential pair-Position 2
A8	SBU1	Sideband Use (SBU)	B5	CC2	Configuration Channel
A9	VBUS	Bus Power	B4	VBUS	Bus Power
A10	SSRXn2	Negative half of second SuperSpeed RX differential pair	B3	SSTXn2	Negative half of second SuperSpeed TX differential pair
A11	SSRXp2	Positive half of second SuperSpeed RX differential pair	B2	SSTXp2	Positive half of second SuperSpeed TX differential pair
A12	GND	Ground return	B1	GND	Ground return



**b-Switch** 品贊科技® **G-Switch Electronic (HongKong) CO.,Ltd.**

Unless otherwise specified, Tolerance: X. $\pm 0.30$ X.x $\pm 0.20$ X.xx $\pm 0.15$ X.xxx $\pm 0.10$ Angles $\pm 3^\circ$	DESIGN FengFengChen	DATE 2019.05.29	Molde code:		
	CHECKED	DATE	GT-USB-7009C		
	APPROVED	DATE			
	<a href="http://www.dg-switch.com">http://www.dg-switch.com</a>			REV.: X1	SCALE: 4:1
TEL:0769-82388879			SIZE: A4	SHEET: 1/1	