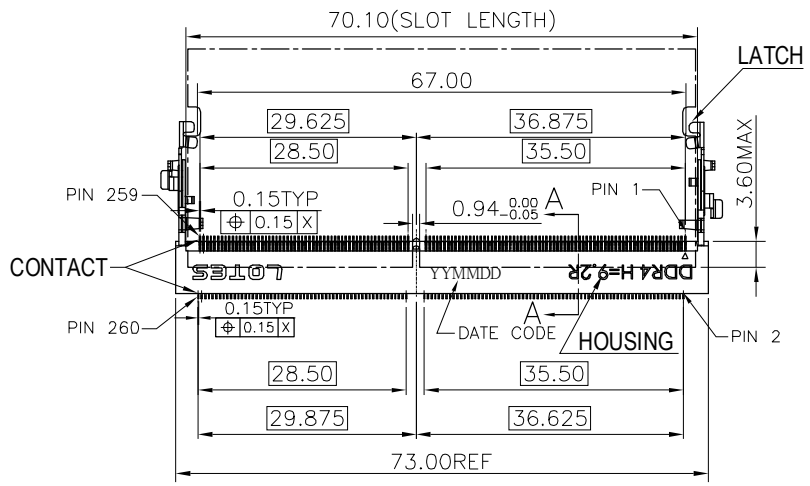
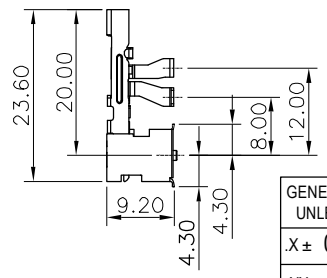
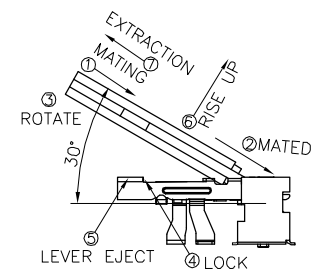
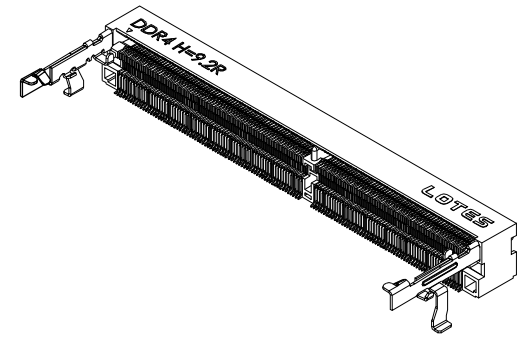
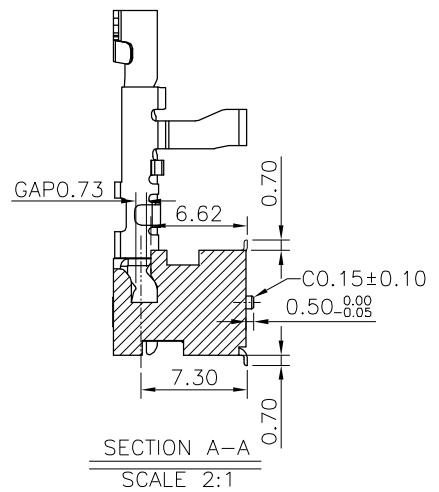
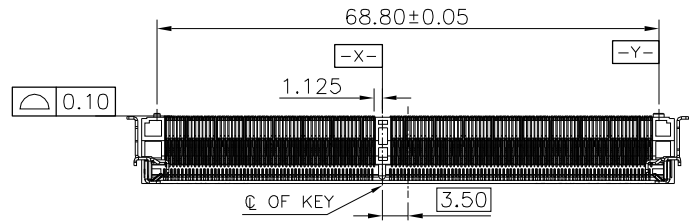
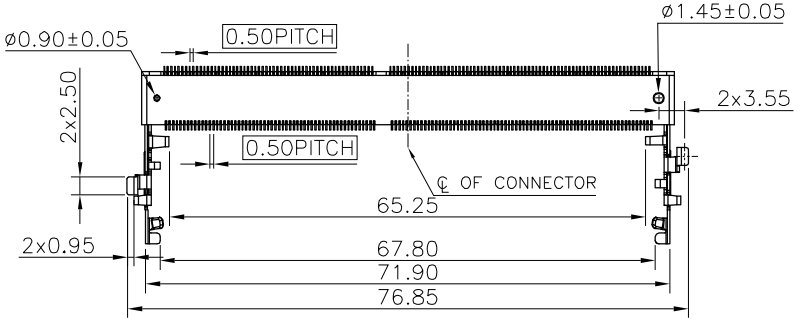


REV.	ECRN NO./DESCRIPTION	DATE	DRAWN	CHECKED	APPROVE
I	RD14011	03/30'15	XU	Vito	Barney
J	RD14011	06/09'15	XU	Vito	Barney
K	RD14011	09/09'15	XU	Vito	Barney



GENERAL TOLERANCES UNLESS SPECIFIED	
$X \pm 0.35$	$X^\circ \pm 3^\circ$
$.XX \pm 0.25$	$X^\circ \pm 2^\circ$
$.XXX \pm 0.15$	$.XX^\circ \pm 1^\circ$
CUSTOMER DRAWING	
SIZE	UNITS
A4	MM [INCH]

PART NO.	SEE TABLE
APPROVED BY	Barney
CHECKED BY	Vito
DRAWN BY	XU

<b>LOTES</b>			
TITLE SODDDR4 9.2H 260 PIN RVS TYPE			
DWG NO. AP-ADDR0111			
SHEET	SCALE	REV	
1 / 5	1 : 1	K	

NOTES:

1.MATERIALS:

HOUSING: LCP,UL 94V-0.

CONTACT: BRASS C2680.

LATCH: STAINLESS STEEL SUS301.

2.FINISH:

- 1)CONTACT: UNDERPLATED NICKEL 50~150u",  
PLATING ON SOLDER AREA:SEE TABLE  
GOLD PLATING ON CONTACT AREA:SEE TABLE
- 2)LATCH:UNDERPLATED NICKEL 50~150u",MATTE TIN 80u" MIN.

3.ELECTRICAL PERFORMANCE

LLCR INITIAL 50mΩ MAX PER CONTACT.

FINAL ΔLLCR=20mΩ MAX

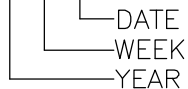
4.MECHANICAL PERFORMANCE,

MATING & UNMATING FORCE: 6.1 Kgf MAX.

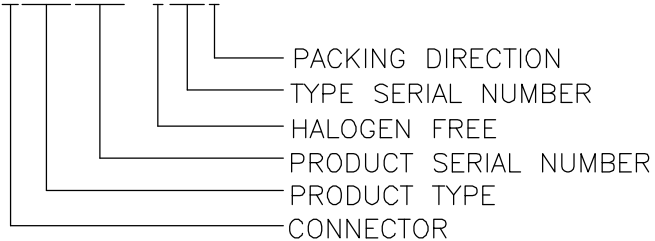
5.IR REFLOW:

THE PEAK TEMPRATURE ON THE BOARD SHALL BE MAINTAINED FOR 10 SECONDS AT 260±5°C.

6. DC: XXXXXX



7.PRODUCT NUMBER NOTE:ADDR\*\*\*\*-\*\*\*\*



8.RoHS COMPLIANT.  
HF COMPLIANT.

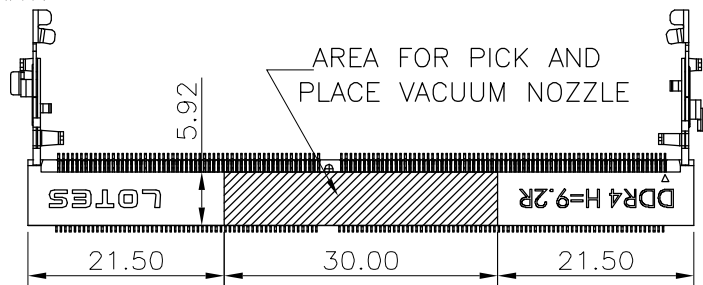
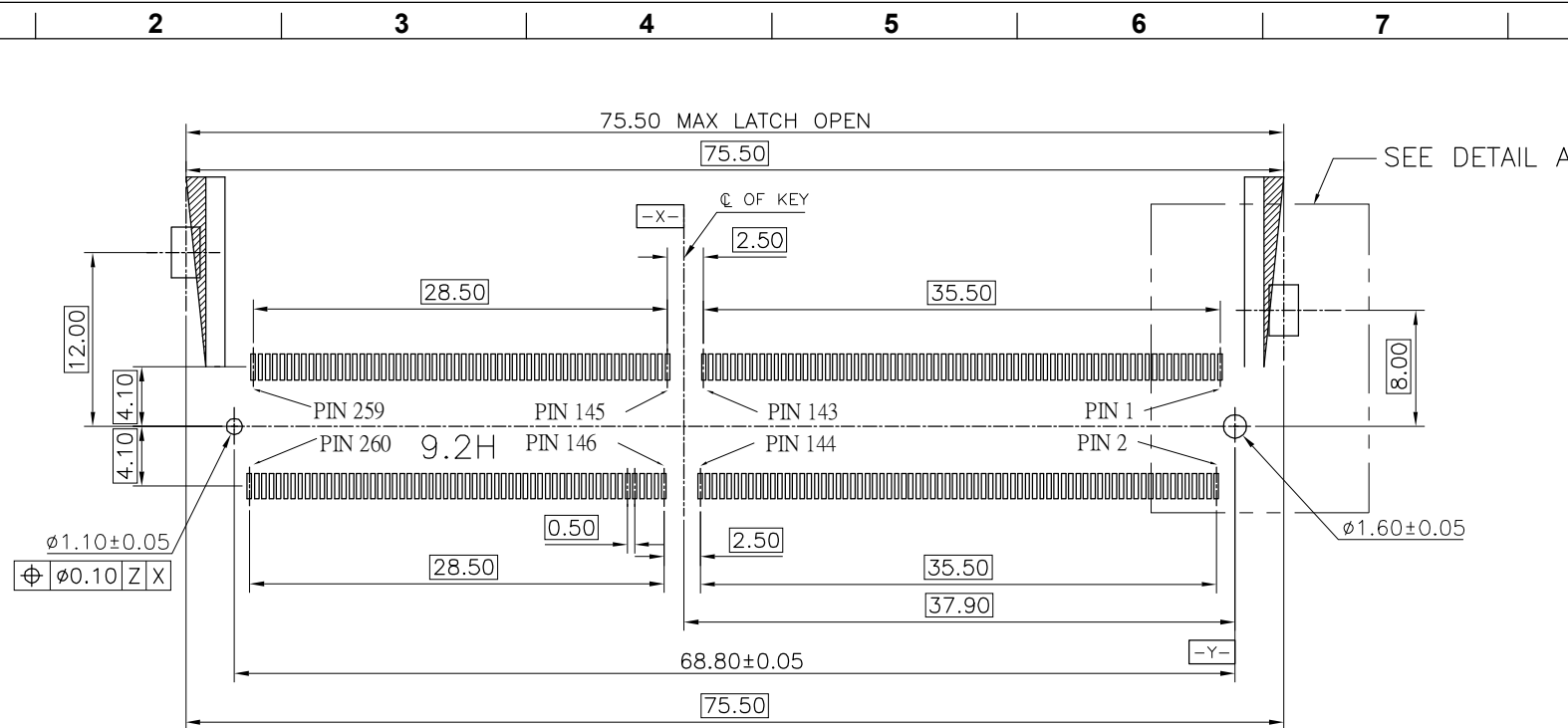


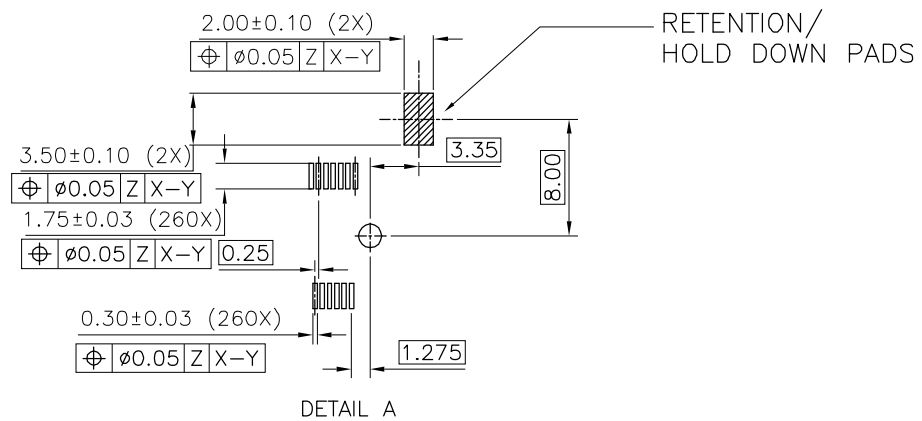
TABLE:

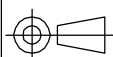
NO.	PART NO.	COLOR	DESCRIPTION
1	ADDR0111-P001A	BLACK	GOLD G/F ON CONTACT AREA
			MATTE TIN ON SOLDER AREA
2	ADDR0111-P002A	BLACK	GOLD 10u" ON CONTACT AREA
			MATTE TIN ON SOLDER AREA
3	ADDR0111-P003A	BLACK	GOLD 15u" ON CONTACT AREA
			MATTE TIN ON SOLDER AREA
4	ADDR0111-P004A	BLACK	GOLD 30u" ON CONTACT AREA
			MATTE TIN ON SOLDER AREA
5	ADDR0111-P005A	BLACK	GOLD G/F ON CONTACT AREA
			GOLD G/F ON SOLDER AREA
6	ADDR0111-P006A	BLACK	GOLD 10u" ON CONTACT AREA
			GOLD G/F ON SOLDER AREA
7	ADDR0111-P007A	BLACK	GOLD 15u" ON CONTACT AREA
			GOLD G/F ON SOLDER AREA
8	ADDR0111-P008A	BLACK	GOLD 30u" ON CONTACT AREA
			GOLD G/F ON SOLDER AREA
9	ADDR0111-P010A	WHITE	GOLD G/F ON CONTACT AREA
			GOLD G/F ON SOLDER AREA
10	ADDR0111-P011A	WHITE	GOLD 10u" ON CONTACT AREA
			GOLD G/F ON SOLDER AREA
11	ADDR0111-P012A	WHITE	GOLD 15u" ON CONTACT AREA
			GOLD G/F ON SOLDER AREA
12	ADDR0111-P013A	WHITE	GOLD 30u" ON CONTACT AREA
			GOLD G/F ON SOLDER AREA

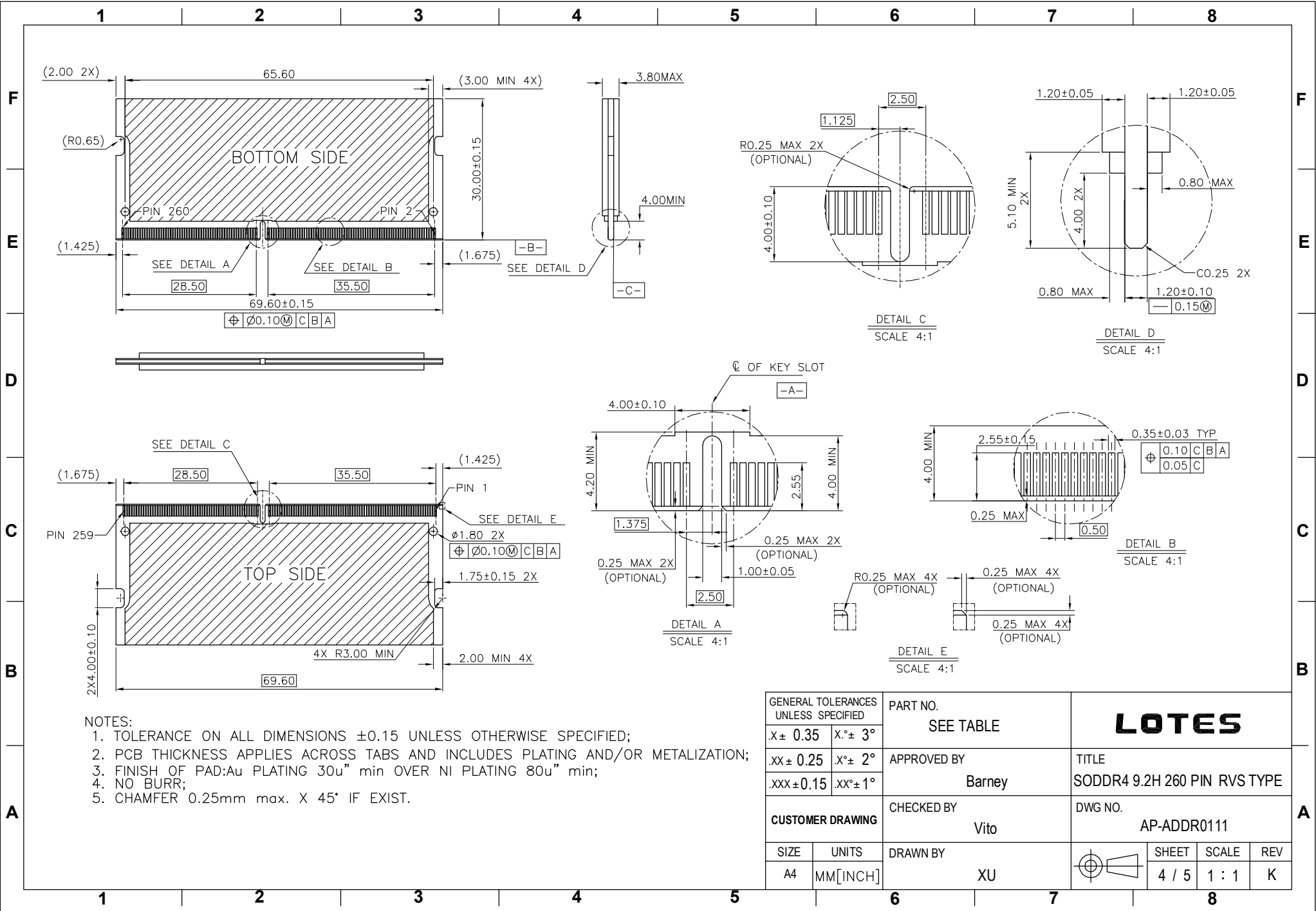
GENERAL TOLERANCES UNLESS SPECIFIED		PART NO. SEE TABLE	<b>LOTES</b>			
x ± 0.35	x° ± 3°					
.xx ± 0.25	x° ± 2°	APPROVED BY Barney	TITLE SODDR4 9.2H 260 PIN RVS TYPE			
.xxx ± 0.15	.xx° ± 1°	CHECKED BY Vito	DWG NO. AP-ADDR0111			
SIZE A4	UNITS MM[INCH]	DRAWN BY XU		SHEET 2 / 5	SCALE 5 : 4	REV K



SCALE 2:1 TOP VIEW  
 RECOMMEND PCB LAYOUT (REVERSE)  
 THE TOLERANCES UNLESS SPECIFIED IS ±0.05MM



GENERAL TOLERANCES UNLESS SPECIFIED		PART NO. SEE TABLE	<b>LOTES</b>			
X ± 0.35	X° ± 3°					
.XX ± 0.25	X° ± 2°	APPROVED BY Barney	TITLE SODDR4 9.2H 260 PIN RVS TYPE			
.XXX ± 0.15	.XX° ± 1°	CHECKED BY Vito	DWG NO. AP-ADDR0111			
CUSTOMER DRAWING		DRAWN BY XU		SHEET	SCALE	REV
SIZE A4	UNITS MM [INCH]			3 / 5	1 : 1	K



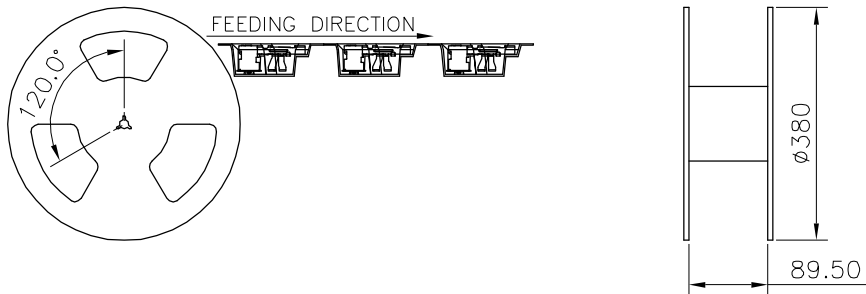
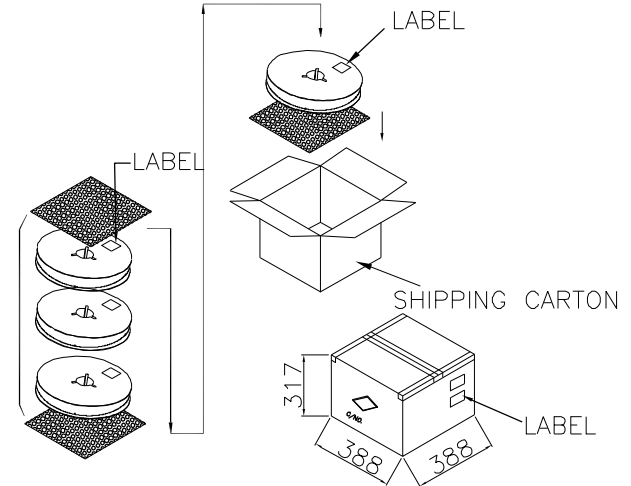
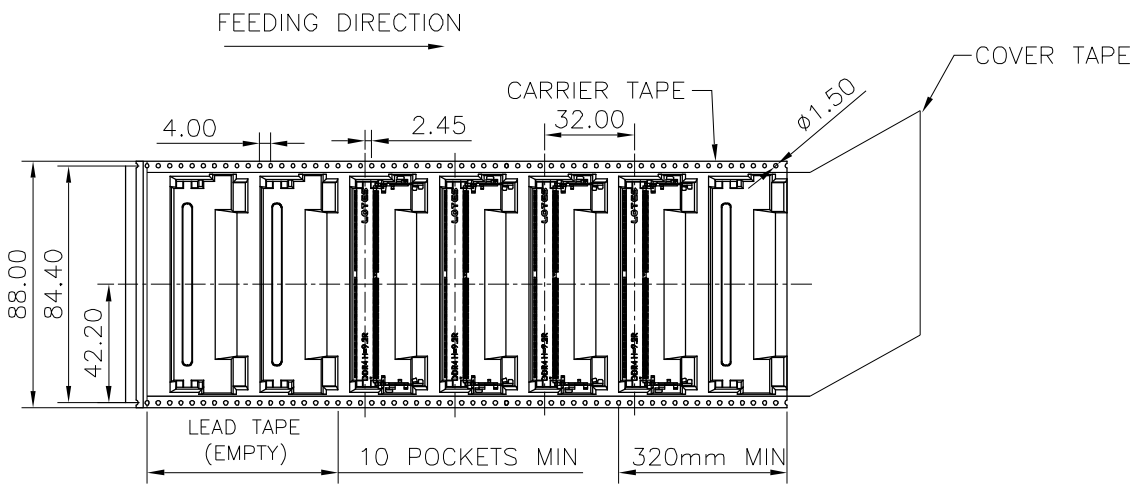
- NOTES:
1. TOLERANCE ON ALL DIMENSIONS  $\pm 0.15$  UNLESS OTHERWISE SPECIFIED;
  2. PCB THICKNESS APPLIES ACROSS TABS AND INCLUDES PLATING AND/OR METALIZATION;
  3. FINISH OF PAD: Au PLATING 30u" min OVER NI PLATING 80u" min;
  4. NO BURR;
  5. CHAMFER 0.25mm max. X 45° IF EXIST.

GENERAL TOLERANCES UNLESS SPECIFIED		PART NO. SEE TABLE	<b>LOTES</b>		
$X \pm 0.35$	$X^\circ \pm 3^\circ$				
$.XX \pm 0.25$	$X^\circ \pm 2^\circ$	APPROVED BY Barney	TITLE SODDR4 9.2H 260 PIN RVS TYPE		
$.XXX \pm 0.15$	$.XX^\circ \pm 1^\circ$	CHECKED BY Vito	DWG NO. AP-ADDR0111		
CUSTOMER DRAWING		DRAWN BY XU	SHEET 4 / 5	SCALE 1 : 1	REV K
SIZE A4	UNITS MM [INCH]				

1 2 3 4 5 6 7 8

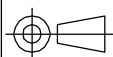
F  
E  
D  
C  
B  
A

F  
E  
D  
C  
B  
A



NOTES:

1. MATERIAL :
  - 1.1 CARRY TAPE: PS
  - 1.2 COVER TAPE: PET
  - 1.3 SHIPPING CARTON: CORRUGATED FIBER
2. DIMENSION :
  - 2.1 REEL: W=88.0,  $\phi A=380$
  - 2.2 SHIPPING CARTON: L=388, W=388, H=317 (INNER)
3. QUANTITY :
  - 3.1 PRIMARY PACKING: 220 PCS/REEL
  - 3.2 SECONDARY PACKING: 3 REELS/CARTON(660PCS)
4. PEELING RESISTANCE: 20gf~120gf.
5. PEELING SPEED: 300mm/minutes.

GENERAL TOLERANCES UNLESS SPECIFIED		PART NO. SEE TABLE	<b>LOTES</b>			
X ± 0.35	X° ± 3°					
.XX ± 0.25	X° ± 2°	APPROVED BY Barney	TITLE SODDR4 9.2H 260 PIN RVS TYPE			
.XXX ± 0.15	.XX° ± 1°	CHECKED BY Vito	DWG NO. AP-ADDR0111			
SIZE A4	UNITS MM	DRAWN BY XU		SHEET 5 / 5	SCALE N/A	REV K

1 2 3 4 5 6 7 8