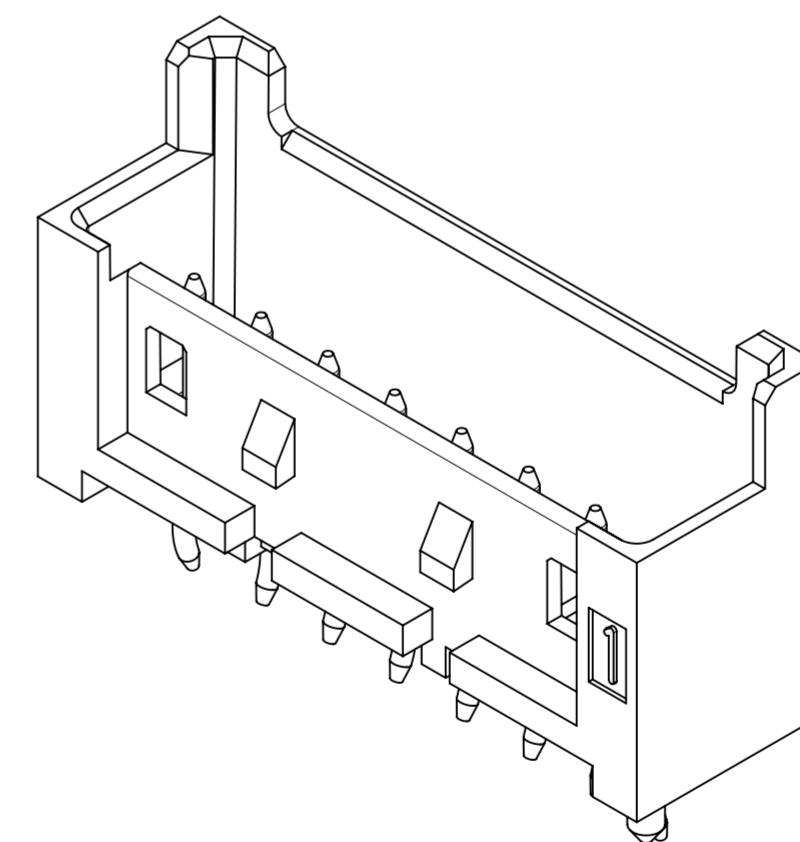


NOTES

1. 材料及び仕上げ(めっき仕様) : TABLE 1参照
MATERIAL AND FINISHES : SEE TABLE 1
2. 製品仕様書 : 511630000-PS 000
PRODUCT SPECIFICATION:511630000-PS 000
3. 梱包仕様書 : 533759200-SPK 200
PACKAGING SPECIFICATION: 533759200-SPK 200
4. 嵌合相手 : 51163 シリーズ
MATES WITH:51163 SERIES
5. アプリケーション仕様書(コネクタ取扱い説明書) : 2166940000-AS PS 000
APPLICATION SPECIFICATION(CONNECTOR MANUAL) : 2166940000-AS PS 000
6. 偶数極に適合
APPLY FOR EVEN CIRCUIT
7. 3極以上のキंक形状は両サイドが (A)、その他の極はすべて (B) 形状とする
MORE THAN 2 CIRCUIT :
PINS AT BOTH ENDS ARE KINK FORMED TO (A).
THE OTHER PINS ARE KINK FORMED TO (B).

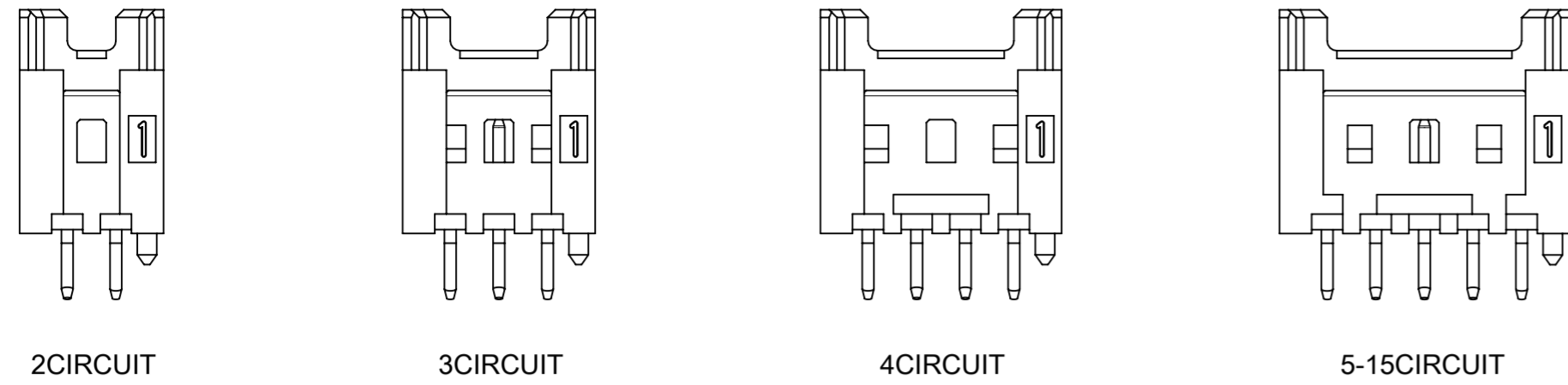


HOUSING COLOR				NATURAL(WHITE)	
38.2	35	39.9	533751510	15	
35.7	32.5	37.4	533751410	14	
33.2	30	34.9	533751310	13	
30.7	27.5	32.4	533751210	12	
28.2	25	29.9	533751110	11	
25.7	22.5	27.4	533751010	10	
23.2	20	24.9	533750910	9	
20.7	17.5	22.4	533750810	8	
18.2	15	19.9	533750710	7	
15.7	12.5	17.4	533750610	6	
13.2	10	14.9	533750510	5	
10.7	7.5	12.4	533750410	4	
8.2	5	9.9	533750310	3	
5.7	2.5	7.4	533750210	2	
C	B	A	発注番号 ORDER No.	極数 CIRCUIT SIZE	梱包形態:トレイ PACKAGE:TRAY

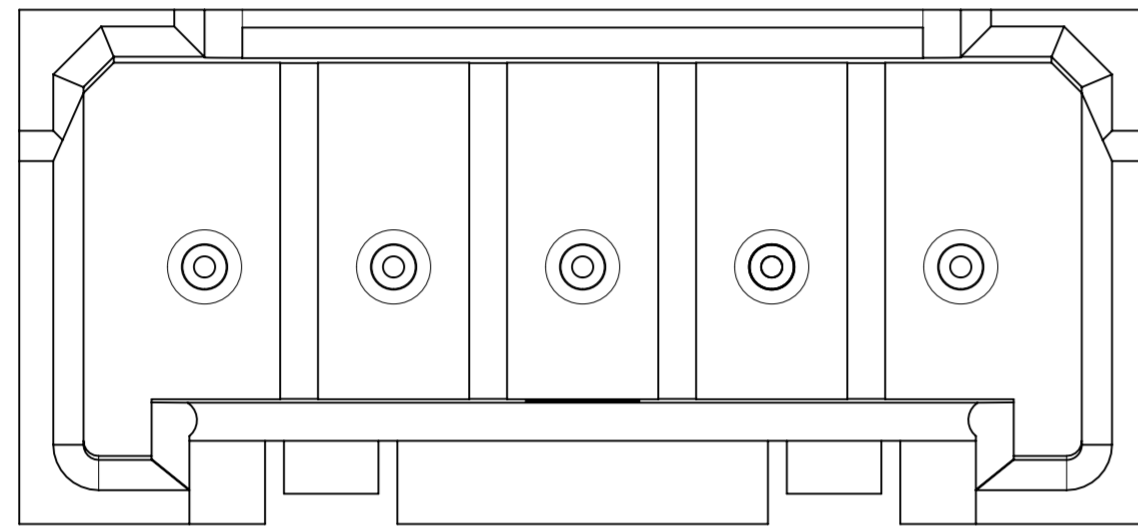
TABLE 1

部品 PART	材料 MATERIAL			
① プラグハウジング PLUG HOUSING	ポリエステル ガラス含有 UL94 V-0 色 : ナチュラル(白) POLYESTER(PBT),GLASS FILLED,UL94 V-0,COLOR:NATURAL(WHITE)			
② プラグピン PLUG PIN	りん青銅 PHOSPHOR BRONZE			
	錫めっき : 1.0MICRO METER MINIMUM. TIN PLATING : 1.0MICRO METER MINIMUM.			
	銅めっき(下地めっき):0.5MICRO METER MINIMUM COPPER PLATING(UNDER PLATING):0.5MICRO METER MINIMUM.			
DOCUMENT STATUS	P1	RELEASE DATE	2020/09/28	04:28:59

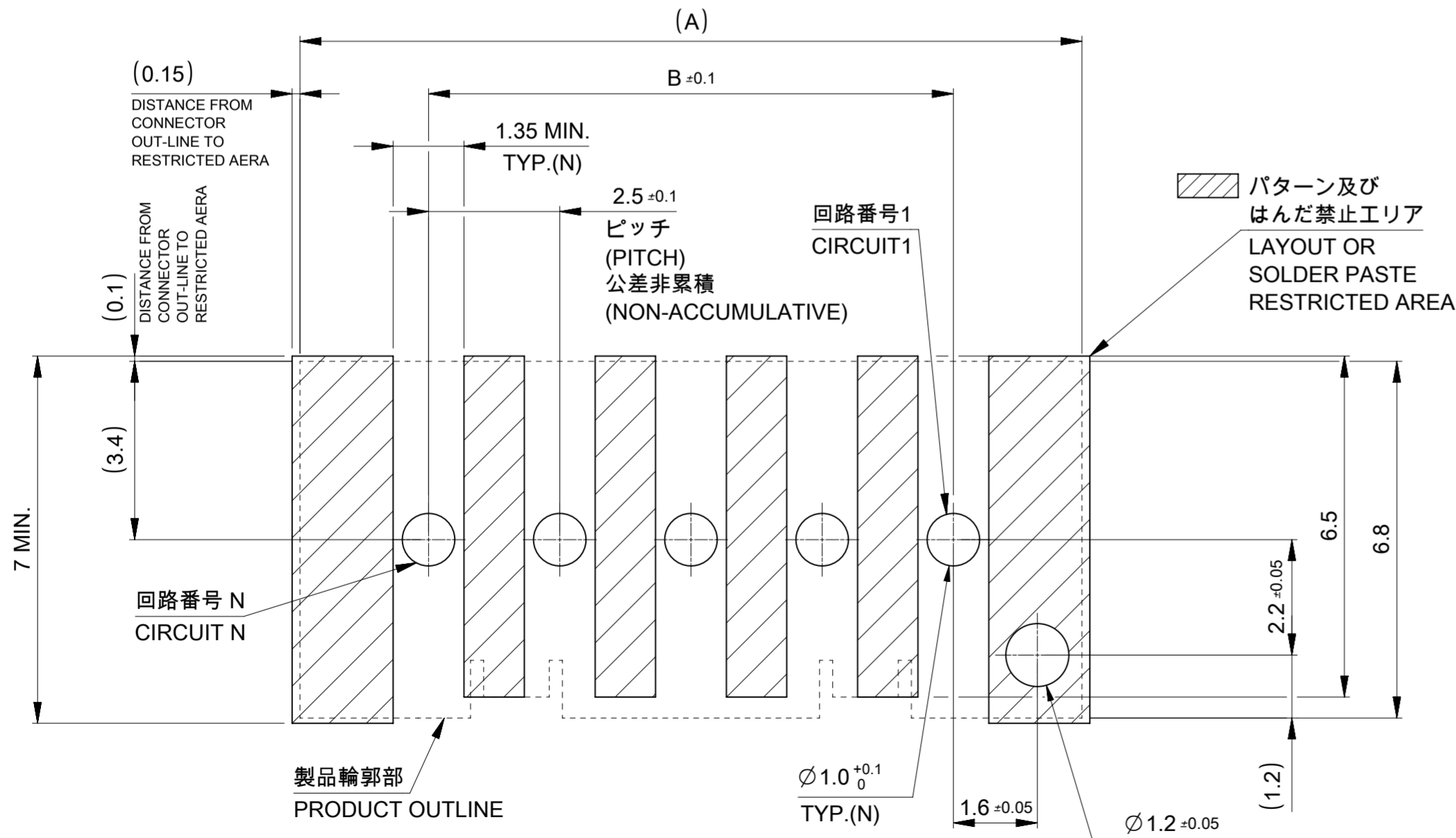
THIS DRAWING CONTAINS INFORMATION THAT IS PROPRIETARY TO MOLEX ELECTRONIC TECHNOLOGIES, LLC AND SHOULD NOT BE USED WITHOUT WRITTEN PERMISSION									
DIMENSION UNITS		SCALE		CURRENT REV DESC: RELEASED					
mm		NTS							
GENERAL TOLERANCES (UNLESS SPECIFIED)									
ANGULAR TOL ± 3.0°				EC NO: 646034					
4 PLACES ± 0.2		DRWN: RWATANABE01		2019/05/24					
3 PLACES ± 0.2		CHK'D: AIDA		2020/09/28					
2 PLACES ± 0.2		APPR: SAKIYAMA		2020/09/28					
1 PLACE ± 0.2		INITIAL REVISION:							
0 PLACES ± 0.2		DRWN: RWATANABE01		2019/05/24					
		APPR: SAKIYAMA		2020/09/28					
DRAFT WHERE APPLICABLE MUST REMAIN WITHIN DIMENSIONS				THIRD ANGLE PROJECTION		DRAWING		SERIES	
		A2-SIZE		53375		MATERIAL NUMBER		CUSTOMER	
						533750000-SD		GENERAL	
				DOCUMENT NUMBER		DOC TYPE		DOC PART	
						PSD		000	
								A	
								SHEET NUMBER	
								1 OF 2	



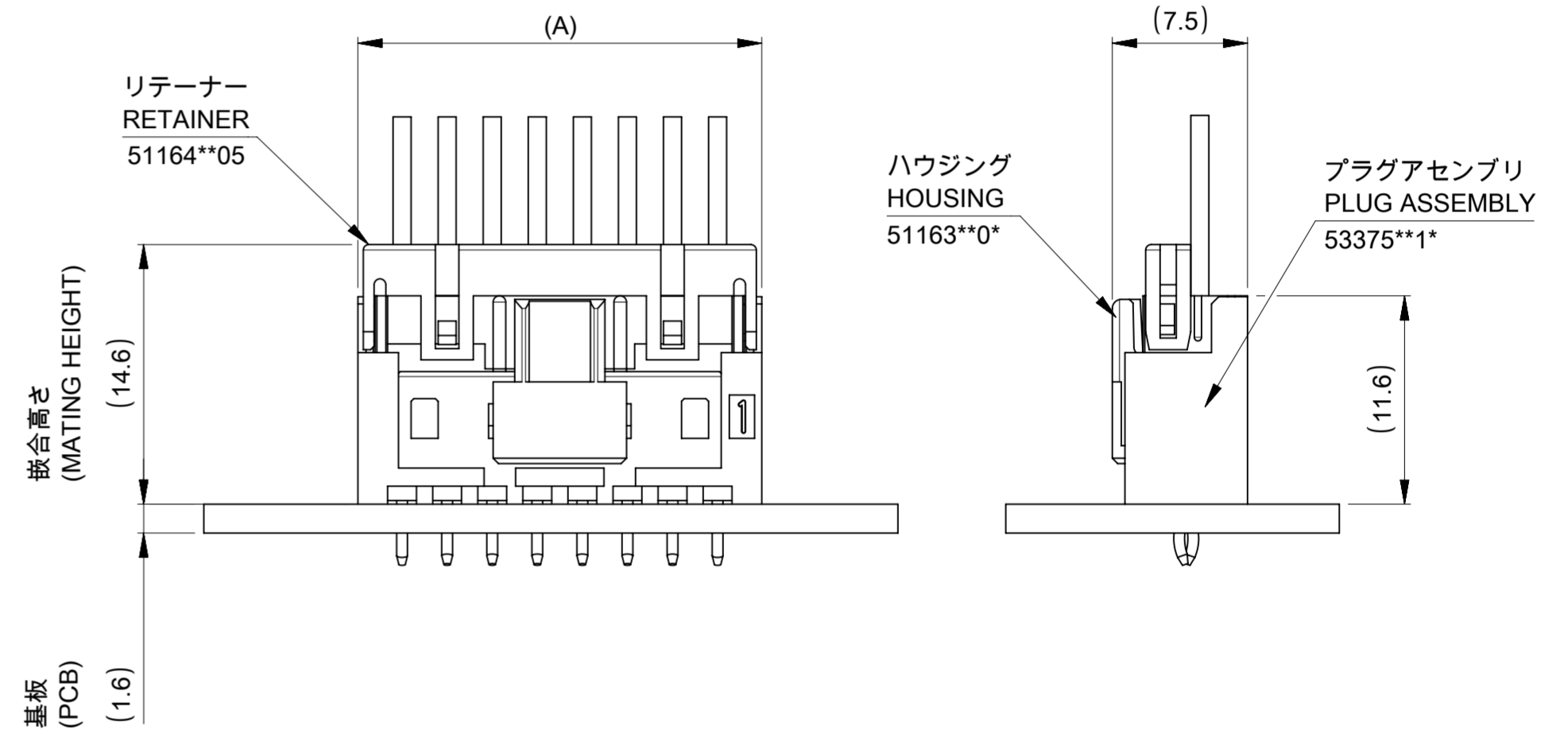
ロック形状図
LOCK CONFIGURATION



製品レイアウト
PRODUCT LAYOUT



基板取付穴推奨寸法(マウント面)
RECOMMENDED PCB HOLE DIMENSION
(MOUNTING SIDE), (t=1.6)



嵌合図
MATED CONNECTORS

THIS DRAWING CONTAINS INFORMATION THAT IS PROPRIETARY TO MOLEX ELECTRONIC TECHNOLOGIES, LLC AND SHOULD NOT BE USED WITHOUT WRITTEN PERMISSION									
DIMENSION UNITS		SCALE		CURRENT REV DESC: RELEASED					
mm		NTS		<div style="text-align: center; font-size: 2em; font-weight: bold;">molex</div> <p>MINI-LOCK 2.5 W/B SINGLE ROW VERTICAL PLUG ASSEMBLY</p> <p>PRODUCT CUSTOMER DRAWING</p>					
GENERAL TOLERANCES (UNLESS SPECIFIED)									
ANGULAR TOL ± 3.0°									
4 PLACES	± 0.2	EC NO: 646034							
3 PLACES	± 0.2	DRWN: RWATANABE01	2019/05/24						
2 PLACES	± 0.2	CHK'D: AIDA	2020/09/28						
1 PLACE	± 0.2	APPR: SAKIYAMA	2020/09/28						
0 PLACES	± 0.2	INITIAL REVISION:							
DRAFT WHERE APPLICABLE MUST REMAIN WITHIN DIMENSIONS		THIRD ANGLE PROJECTION		DRAWING		SERIES		MATERIAL NUMBER	
		A2-SIZE		53375		533750000-SD		GENERAL	
DOCUMENT STATUS		P1		RELEASE DATE		2020/09/28		04:28:59	
DOCUMENT NUMBER		DOC TYPE		DOC PART		REVISION			
533750000-SD		PSD		000		A			
SHEET NUMBER		2 OF 2							