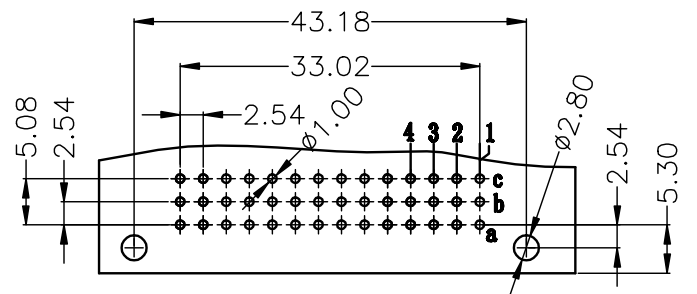
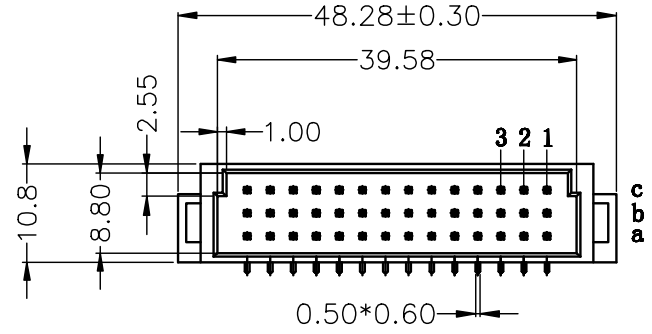
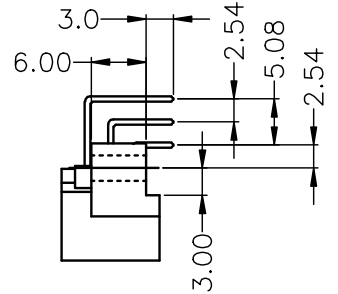
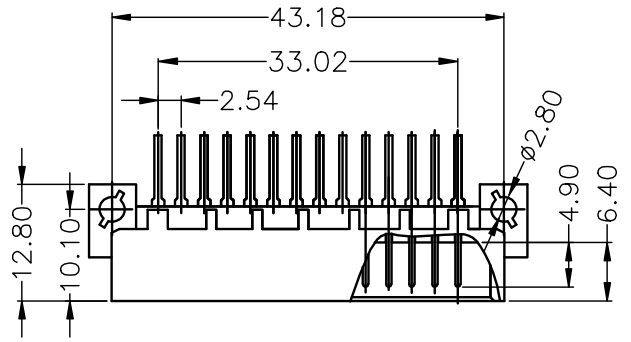


RoHS Compliant Customer Drawing

REV.	ECN NO.	DESCRIPTION	DATE	DESIGN



PCB LAYOUT(RECOMMENDED)  
(TOP VIEW TOL. :±0.05)

**SPECIFICATION**

**MATERIAL**  
 Housing:PBT+30%G.F UL94V-0 Color:Champagne  
 Contacts:Brass  
**CONTACT PLATING**  
 G=GOLD FLASH PLATED ALL OVER,N1 UNDER PLATED ALL OVER.  
 T=TIN PLATED ALL OVER,N1 UNDER PLATED ALL OVER.  
 S=GOLD FLASH PLATED ON CONTACT AREA,TIN PLATED ON SOLDER TAIL,Ni UNDER PLATED ALL OVER.

**ELECTRICAL**

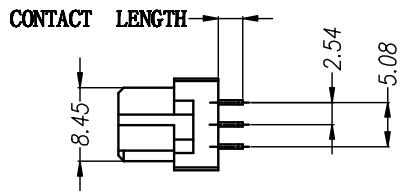
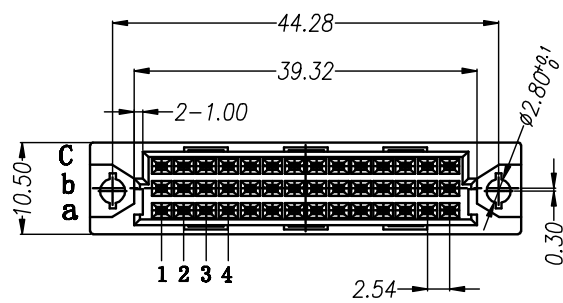
Current rating: 2 Amps .  
 Contact resistance: 20 mΩ initial  
 Insulation resistance: 1000 MΩ min @ 500 VDC  
 Dielectric withstanding voltage: 1000 VAC / minute  
 Operating temperature: -40° C TO +105° C

Part no. A02 A - 042 M X R B A E X  
 1 2 3 4 5 6 7 8 9 10

- |   |   |
|---|---|
| 1. SERIES NO.                                 | 7. PROCESS OPTION:                              |
| 2. TYPE:<br>A=Standard                        | B=3*14 Housing (Male=90°<br>Female=180° )       |
| 3. CONTACT NUMBER                             | 8. ROW SPACING:<br>A=2.54mm(a+b+c)              |
| 4. CONTACT TYPE:<br>M=Male                    | 9. CONTACT LENGTH:<br>E=3.0mm(Right angle only) |
| 5. CONTACT AREA PLATING:<br>SEE SPECIFICATION | 10. INSULATOR COLOR:<br>A=Champagne             |
| 6. FUNCTION OPTION:<br>R=Right angle          |   |

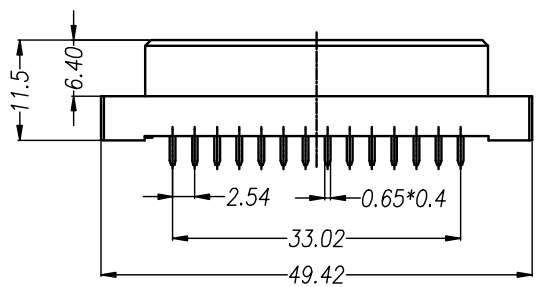
公差一览表 TOLERANCE UNLESS OTHERWISE				nextion® CONNECTOR		诺凌电子有限公司 NOXTLON ELECTRONIC CO.,LTD			
X.	±0.35	X°.	±5°	单位 UNITS	mm	制图 DRAWING	黄小慧	产品名称 NAME	欧式插座 342 A型 90度 公座
.X	±0.30	.X°.	±2°	角法 VIEW	⊕	设计 DESIGN	黄小慧	产品料号 PART NO.	A02A-042MXRBAEX
.XX	±0.25	.XX°.	±1°	比例 SCALE	1:1	审核 CHECK		图号 DRAW NO.	A02A-042MXRBAEX-A0
.XXX	±0.02	.XXX°.	±0.5°	版本 VER	A0	核准 APPD			
DATE	2014. 12. 20								

REV.	ECN NO.	DESCRIPTION	DATE	DESIGN



**SPECIFICATION**

**MATERIAL**  
 Housing: PBT+30%G.F UL94V-0  
 Contacts: PhosPhor Bronze  
**CONTACT PLATING**  
 G=GOLD FLASH PLATED ALL OVER, Ni UNDER PLATED ALL OVER.  
 T=TIN PLATED ALL OVER, Ni UNDER PLATED ALL OVER.  
 S=GOLD FLASH PLATED ON CONTACT AREA, TIN PLATED ON SOLDER TAIL, Ni UNDER PLATED ALL OVER.



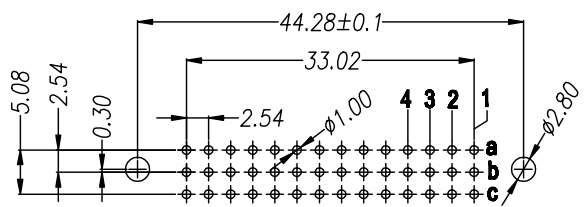
CODE	DIP LENGTH(±0.25)	
A	2.8mm	
F	3.50mm	
B	4.0mm	

**ELECTRICAL**

Current rating: 2 Amps .  
 Contact resistance: 20 mΩ initial  
 Insulation resistance: 1000 MΩ min @ 500 VDC  
 Dielectric withstanding voltage: 1000 VAC / minute  
 Operating temperature: -55° C TO +125° C

Part no. A08 A - 042 F X S B A X X  
 1 2 3 4 5 6 7 8 9 10

- |   |  |
|---|--|
| 1. SERIES NO.                                 | 7. PROCESS OPTION:                             |
| 2. TYPE:<br>A=Standard                        | B=3*16Housing (Male=90°<br>Female=180°)        |
| 3. CONTACT NUMBER                             | 8. ROW SPACING:<br>A=2.54mm (a+b+c)            |
| 4. CONTACT TYPE:<br>F=Female                  | 9. CONTACT LENGTH:<br>B=4.0mm                  |
| 5. CONTACT AREA PLATING:<br>SEE SPECIFICATION | 10. INSULATOR COLOR:<br>5=BEIGE<br>A=Champagne |
| 6. FUNCTION OPTION:<br>S-STRAIGHT             |  |



PCB LAYOUT(RECOMMENDED)  
 (TOP VIEW TOL. :±0.05)

公差一览表 TOLERANCE UNLESS OTHERWISE				nextion® CONNECTOR		诺凌电子有限公司 NOXTLON ELECTRONIC CO.,LTD			
X.	±0.35	X°.	±5°	单位 UNITS	mm	制图 DRAWING	蒋伟	产品名称 TITLE	欧式插座 342 U型 直母
.X	±0.30	.X°.	±2°	角法 VIEW		设计 DESIGN	蒋伟	产品料号 PART NO.	A08A-042F1S1B5
.XX	±0.25	.XX°.	±1°	比例 SCALE	1:1	审核 CHECK		图号 DRAW NO.	
.XXX	±0.02	.XXX°.	±0.5°	版本 VER	A0	核准 APPD			
DATE				2018.11.09					