

REV	LOCATIONS	DESCRIPTION	DATE	REVISER	APPD

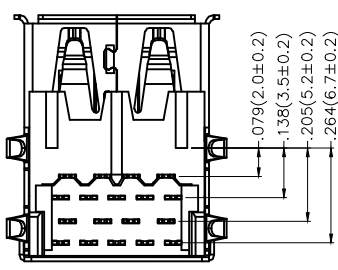
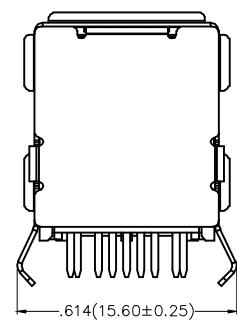
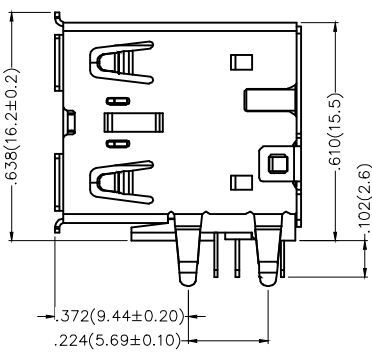
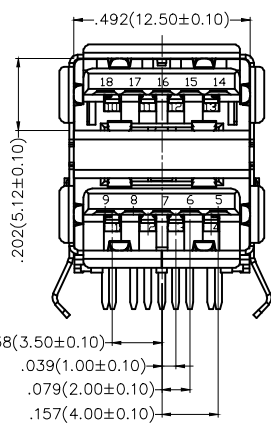
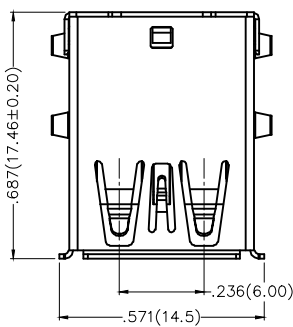
SPECIFICATIONS

Electrical
Current Rating:
 1.8A AC(rms)/DC (VBUS and GND contacts)
 0.25A AC(rms)/DC (Other contacts)
Voltage Rating : 30V AC(rms)/DC
Contact Resistance:
 30mΩ Max (VBUS and GND contacts)
 50mΩ Max (Other contacts)
Withstanding Voltage: 100V AC r.m.s
Insulation Resistance: 100 MΩ Min
Temperature Range—Operating: -55°C~+85°C

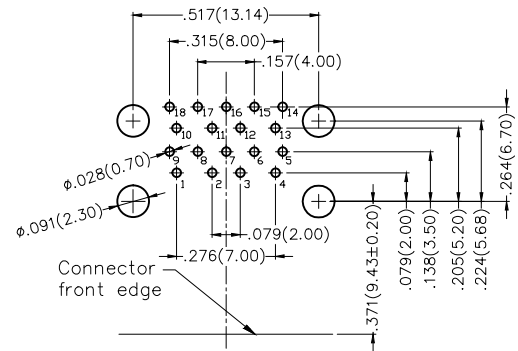
Mechanical
Insertion force: 35N Max.
Withdrawal force: 10N Min.
 8N Min after durability
Durability: 5,000 cycles

Material
Housing: PBT (UL 94V-0) Blue
Terminal: Copper Alloy
Shell: Brass

Plating
Terminal: Gold in contact area, tin on tail
Shell: Nickel Plated



Circuits	Signal name	
1	10	VBUS
2	11	D-
3	12	D+
4	13	GND
5	14	StdA_SSRX-
6	15	StdA_SSRX+
7	16	GND_DRAIN
8	17	StdA_SSTX-
9	18	StdA_SSTX+



Recommended P.C.Board Layout
 General tolerances: ±0.05mm

 THIRD ANGLE PROJECTION	GENERAL TOLERANCES (UNLESS SPECIFIED)		APPROVE BY FRANK	DATE 13/APR/18	PART NO. FUS327-FDBU1K	ITEM NO. FUS327	 Leader Of Industry
	DESIGN UNITS Inch (metric)	X.±.012(0.30) X.±5'	CHECKED BY CHERRY	DATE 13/APR/18	TITLE USB A-type		
	SCALE 5:1	X.X±.008(0.20) X.±2'	DRAWN BY KATE	DATE 13/APR/18	9+9Circuits 90°Angle Female(DIP)(3.0)		
	SIZE A4	X.XX±.006(0.15) X.X±1'			THIS DRAWING CONTAINS INFORMATION THAT IS PROPRIETARY TO TXGA INDUSTRIAL ELECTRONICS(S.Z)CO.,LTD AND SHOULD NOT BE USED WITHOUT WRITTEN PERMISSION		
	X.XXX±.004(0.10) XXX±0.5'				REV 0	SHEET NO. 1/1	