

# HSF

**NOTES:**

Current Rating: 18A  
 Voltage Rating: 300V  
 Contact Resistance: 8milliohm Max  
 Withstand Voltage: AC2000V  
 Insulation Resistance: 1000Megohm Min  
 Operation Temperature: -40°C to +105°C

Housing Material: PA66+30%GF(UL94V-0)  
 Contact Material: Brass

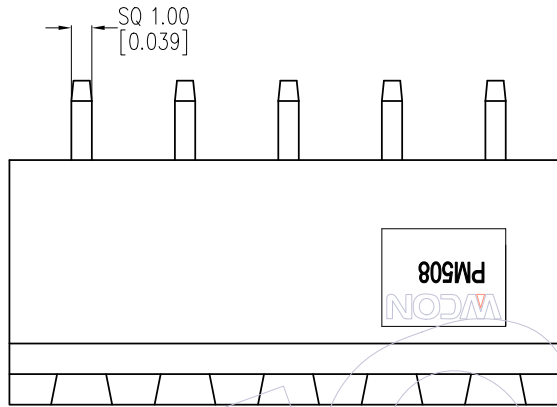
**Ordering Information:**

**P M 508 - 1 S XX X SM 1**

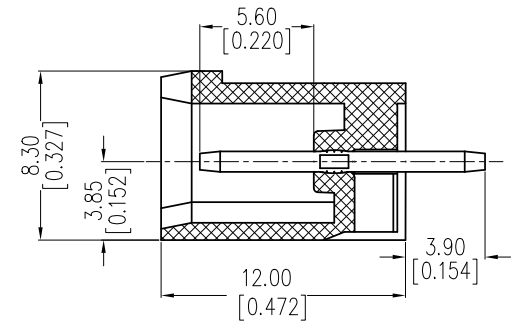
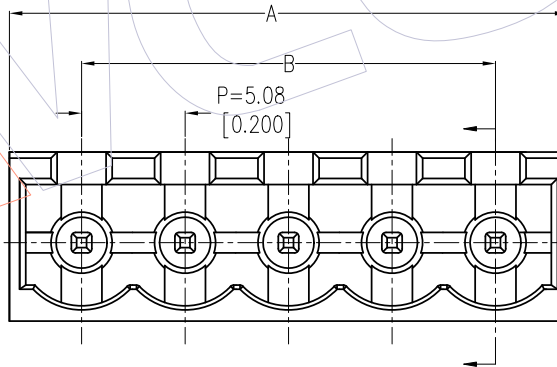
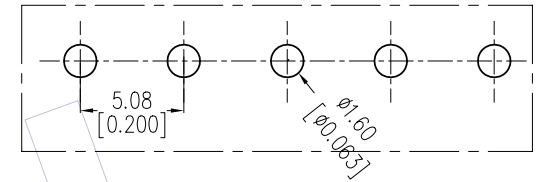
M=Male Pitch 508=5.08 No. of Pins 02-24P Color A=Green Y=Yellow R=Red O=Orange U=Blue G=Grey(灰色429C)  
 Contact Plated SM=Matte Tin Series No.

|     |             |             |     |              |              |
|-----|-------------|-------------|-----|--------------|--------------|
| 13P | 68.04 ±0.30 | 60.96 ±0.30 |     |              |              |
| 12P | 62.96 ±0.30 | 55.88 ±0.30 | 24P | 123.92 ±0.50 | 116.84 ±0.50 |
| 11P | 57.88 ±0.30 | 50.80 ±0.30 | 23P | 118.84 ±0.50 | 111.76 ±0.50 |
| 10P | 52.80 ±0.30 | 45.72 ±0.30 | 22P | 113.76 ±0.50 | 106.68 ±0.50 |
| 9P  | 47.72 ±0.30 | 40.64 ±0.30 | 21P | 108.68 ±0.50 | 101.60 ±0.50 |
| 8P  | 42.64 ±0.30 | 35.56 ±0.30 | 20P | 103.60 ±0.50 | 96.52 ±0.50  |
| 7P  | 37.56 ±0.20 | 30.48 ±0.20 | 19P | 98.52 ±0.40  | 91.44 ±0.40  |
| 6P  | 32.48 ±0.20 | 25.40 ±0.20 | 18P | 93.44 ±0.40  | 86.36 ±0.40  |
| 5P  | 27.40 ±0.20 | 20.32 ±0.20 | 17P | 88.36 ±0.40  | 81.28 ±0.40  |
| 4P  | 22.32 ±0.20 | 15.24 ±0.20 | 16P | 83.28 ±0.40  | 76.20 ±0.40  |
| 3P  | 17.24 ±0.20 | 10.16 ±0.20 | 15P | 78.20 ±0.40  | 71.12 ±0.40  |
| 2P  | 12.16 ±0.20 | 5.08 ±0.10  | 14P | 73.12 ±0.40  | 66.04 ±0.40  |
| PIN | A           | B           | PIN | A            | B            |

|           |       |        |
|-----------|-------|--------|
| ITEM      | Pitch | Mating |
| Standard  | 5.08  | PF508  |
| Alternate |       |        |



Recommended P.C.B Layout(Top Side)  
 (PCB BOARD TOLERANCE±0.05)



|     |            |  |             |         |            |       |      |                           |
|-----|------------|--|-------------|---------|------------|-------|------|---------------------------|
| A3  | 2018/09/12 | PM508-1SXXASM1 → PM508-1SXXXSM1          | OPERATION   | DRAW    | DATE       | SCALE | FIT  | PART NO.                  |
| A2  | 2013/06/05 | Modify The Housing Material              | X.X ±0.40   | XSR     | 2018/09/12 | UNIT  | mm   | PM508-1SXXXSM1            |
| A1  | 2012/05/17 | Modify PF508-00-XX-A-SM → PM508-1SXXASM1 | X.XX ±0.25  | CHECK   | DATE       | SIZE  | inch | TITLE:                    |
| A0  | 2011/06/08 | NEW                                      | X.XXX ±0.15 | APPROVE | DATE       | SHEET | A4   | 5.08mm Pitch Male         |
| REV | DATE       | MODIFICATION DESCRIPTION                 | Angle ± 3°  |         |            | PROJ. | 1/1  | Pluggable Terminal Blocks |
|     |            |  | DIM TOL     |         |            |       |      | Customer NO.              |

**WCON**  
 Http: www.wcon.com

WCON-Dongguan Tel: +86 769 85358920 Fax: +86 769 85358915 E-mail: sales@wcon.com  
 WCON-Kunshan Tel: +86 512 57468408 Fax: +86 512 57468468 E-mail: salesks@wcon.com