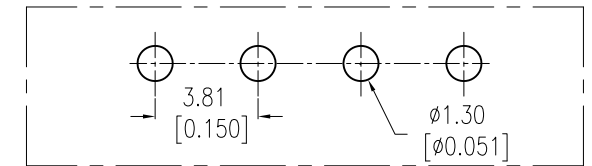


HSF

NOTES:
 Current Rating:8A
 Voltage Rating:300V
 Contact Resistance:8milliohm Max
 Withstand Voltage:AC2000V
 Insulation Resistance:1000Megohm Min
 Operation Temperature:-40°C to +105°C

Housing Material:PA66+30%GF(UL94V-0) $\Delta A3$
 Contact Material:Brass

Recommended P.C.B Layout(Top Side)
 (PCB BOARD TOLERANCE ± 0.05)

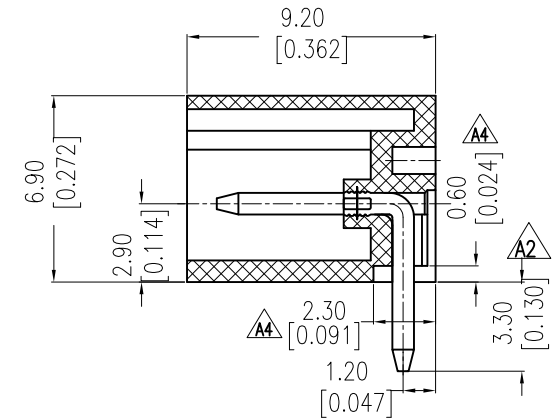
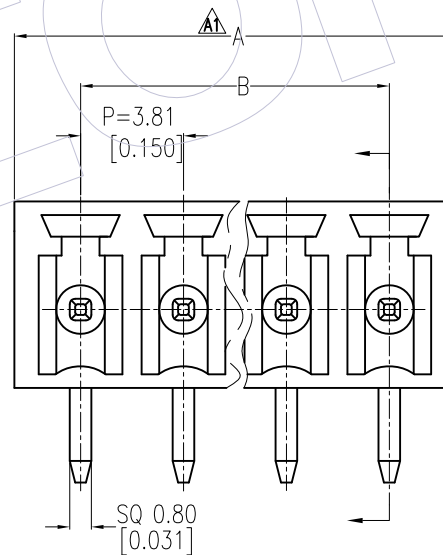
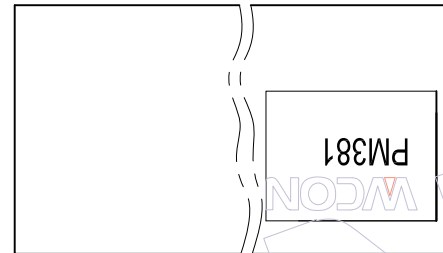


Ordering Information:

P M 381 - 1 R XX A SM 1
 M=Male Pitch 381=3.81
 No.of Pins 02-20P Color A=Green Contact Plated SM=Matte Tin Series No.

11P	43.30 ±0.20	38.10 ±0.20			
10P	39.49 ±0.20	34.29 ±0.20	20P	77.59 ±0.30	72.39 ±0.30
9P	35.68 ±0.20	30.48 ±0.20	19P	73.78 ±0.30	68.58 ±0.30
8P	31.87 ±0.15	26.67 ±0.15	18P	69.97 ±0.30	64.77 ±0.30
7P	28.06 ±0.15	22.86 ±0.15	17P	66.16 ±0.30	60.96 ±0.30
6P	24.25 ±0.15	19.05 ±0.15	16P	62.35 ±0.30	57.15 ±0.30
5P	20.44 ±0.15	15.24 ±0.15	15P	58.54 ±0.30	53.34 ±0.30
4P	16.63 ±0.15	11.43 ±0.15	14P	54.73 ±0.20	49.53 ±0.20
3P	12.82 ±0.15	7.62 ±0.15	13P	50.92 ±0.20	45.72 ±0.20
2P	9.01 ±0.15	3.81 ±0.10	12P	47.11 ±0.20	41.91 ±0.20
PINS	A	B	PINS	A	B

ITEM	Pitch	Mating
Standard	3.81	PF381
Alternate		



A4	2018/03/12	Modify	$\Delta A4$	OPERATION	DRAW	DATE	SCALE	FIT	PART NO.
A3	2013/06/05	Modify The Housing Material	$\Delta A3$	X.X ±0.40	Surong Xu	2018/03/12	UNIT	mm	PM381-1RXXASM1
A2	2013/04/24	Modify The Dimension 3.50 To 3.30	$\Delta A2$	X.XX ±0.25	CHECK	DATE	SIZE	inch	TITLE:
A0	2012/05/15	NEW		X.XXX ±0.15	APPROVE	DATE	SHEET	A4	3.81mm Pitch Male Pluggable Terminal Blocks
REV	DATE	MODIFICATION DESCRIPTION	CHANGE	Angle ± 3°			PROJ.	1/1	Customer NO.
				DIM TOL					

WCON

Http: www.wcon.com

WCON-Dongguan Tel: +86 769 85358920
 WCON-Kunshan Tel: +86 512 57468408
 Fax: +86 769 85358915 Fax: +86 512 57468468
 E-mail: sales@wcon.com E-mail: salesks@wcon.com