

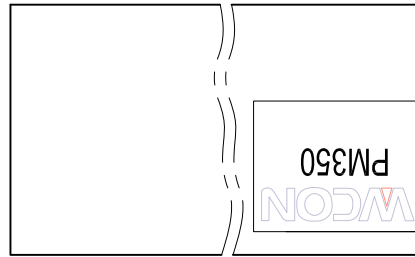
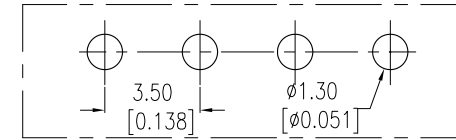
HSF

NOTES:

Current Rating:8A
 Voltage Rating:300V
 Contact Resistance:8milliohm Max
 Withstand Voltage:AC2000V
 Insulation Resistance:1000Megohm Min
 Operation Temperature:-40°C to +105°C

Housing Material:PA66+30%GF(UL94V-0) $\Delta 3$
 Contact Material:Brass

Recommended P.C.B Layout (Top Side)
 (PCB BOARD TOLERANCE ± 0.05)



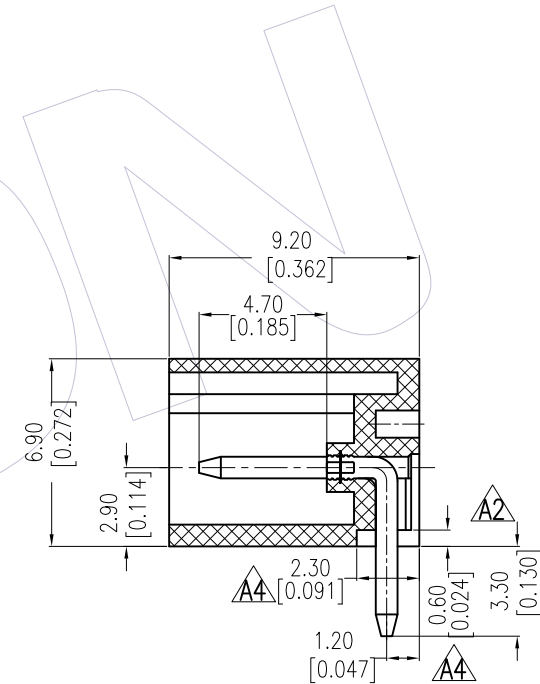
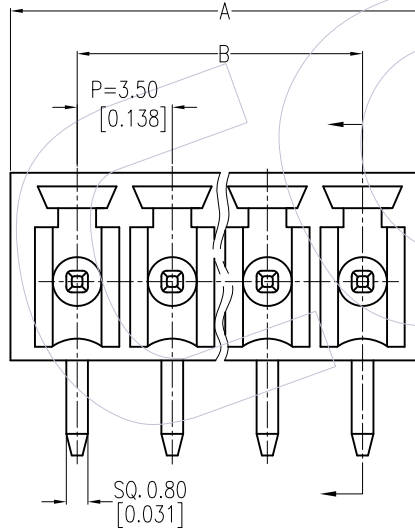
Ordering Information:

P M 350 - 1 R XX A SM 1

M=Male Pitch 350=3.50
 No.of Pins 02-20P Color A=Green Contact Plated SM=Matte Tin Series No. 1

11P	39.90 ±0.30	35.00 ±0.30			
10P	36.40 ±0.30	31.50 ±0.30	20P	71.40 ±0.40	66.50 ±0.40
9P	32.90 ±0.30	28.00 ±0.30	19P	67.90 ±0.40	63.00 ±0.40
8P	29.40 ±0.20	24.50 ±0.20	18P	64.40 ±0.40	59.50 ±0.40
7P	25.90 ±0.20	21.00 ±0.20	17P	60.90 ±0.40	56.00 ±0.40
6P	22.40 ±0.20	17.50 ±0.20	16P	57.40 ±0.40	52.50 ±0.40
5P	18.90 ±0.20	14.00 ±0.20	15P	53.90 ±0.40	49.00 ±0.40
4P	15.40 ±0.20	10.50 ±0.20	14P	50.40 ±0.30	45.50 ±0.30
3P	11.90 ±0.20	7.00 ±0.20	13P	46.90 ±0.30	42.00 ±0.30
2P	8.40 ±0.20	3.50 ±0.10	12P	43.40 ±0.30	38.50 ±0.30
PIN	A	B	PIN	A	B

ITEM	Pitch	Mating
Standard	3.50	PF350
Alternate		



REV	DATE	MODIFICATION DESCRIPTION	CHANGE	OPERATION	DRAW	DATE	SCALE	FIT	PART NO.
A4	2018/03/12	Modify	$\Delta 4$	OPERATION	DRAW	2018/03/12	SCALE	FIT	PM350-1RXXASM1 $\Delta 4$
A3	2013/06/05	Modify The Housing Material	$\Delta 3$	X.X ±0.40	Surong Xu		UNIT	mm	TITLE: 3.50mm Pitch Male Pluggable Terminal Blocks
A2	2013/04/24	Modify The Dimension 3.50 To 3.30	$\Delta 2$	X.XX ±0.25	CHECK	DATE	SIZE	A4	
A0	2011/06/07	NEW		X.XXX ±0.15	APPROVE	DATE	SHEET	1/1	
				Angle ± 3'			PROJ.	ϕ	Customer NO.
				DIM TOL					

WCON
 Http: www.wcon.com

WCON-Dongguan Tel: +86 769 85358920 Fax: +86 769 85358915 E-mail: sales@wcon.com
 WCON-Kunshan Tel: +86 512 57468408 Fax: +86 512 57468468 E-mail: salesks@wcon.com