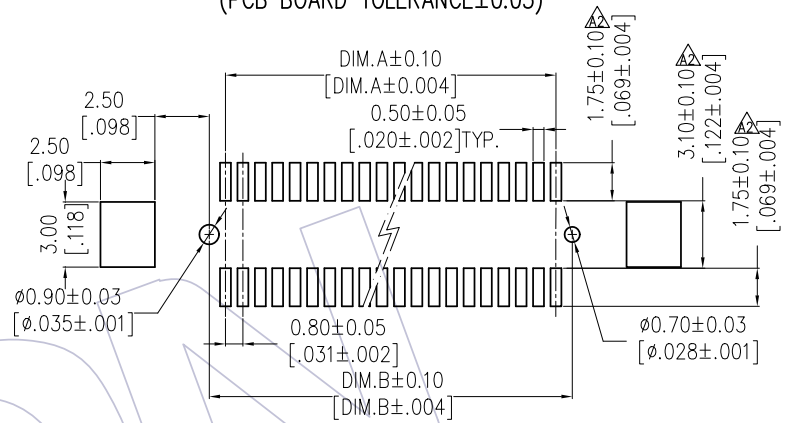
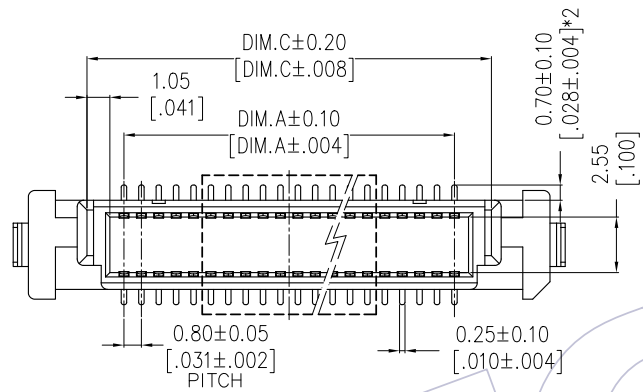


HSF

NOTES:
 Current Rating: 0.5A AMP
 Voltage Rating: 200V AC/300V DC
 Contact Resistance: 70milliohm Max
 Withstand Voltage: 500V AC/DC
 Insulation Resistance: 100Megohm Min
 Operation Temperature: -40°C to +85°C

Housing Material: LCP(UL94V-0)
 Contact Material: Phosphor Bronze
 Hold Down Material: Brass
 Contact plating: Au over Ni Plating

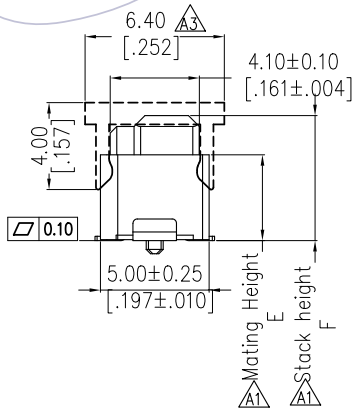
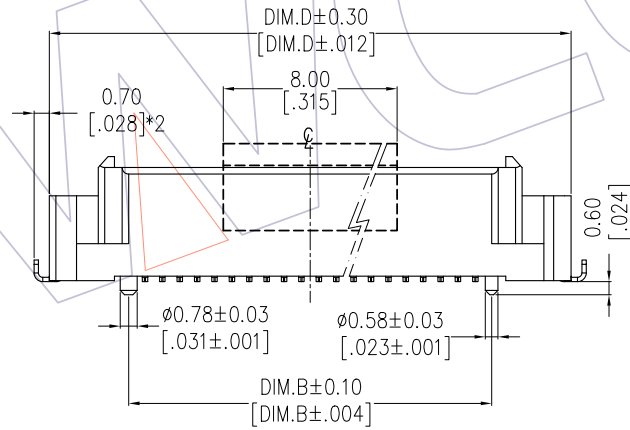
Recommended P.C.B Layout(Top Side)
 (PCB BOARD TOLERANCE±0.05)



Ordering Information

3615-P XXX - XXX XX X 01

No.of Pins Housing High Contact Plating T=Tube
 G1=3u"Gold P=Tube+CAP
 G2=5u"Gold R=Tape&Reel+CAP
 S1=3u"Gold/Tin
 S2=5u"Gold/Tin



| PART NO | E | F |
|--------------------|------|------|
| 3615-PXXX-047XXX01 | 3.00 | 4.75 |
| 3615-PXXX-057XXX01 | 4.00 | 5.75 |
| 3615-PXXX-077XXX01 | 6.00 | 7.75 |

| NO.OF CONTACT | DIM.A | DIM.B | DIM.C | DIM.D |
|---------------|-------|-------|-------|-------|
| 20 | 7.2 | 8.7 | 10.6 | 16 |
| 30 | 11.2 | 12.7 | 14.6 | 20 |
| 40 | 15.2 | 16.7 | 18.6 | 24 |
| 50 | 19.2 | 20.7 | 22.6 | 28 |
| 60 | 23.2 | 24.7 | 26.6 | 32 |
| 70 | 27.2 | 28.7 | 30.6 | 36 |
| 80 | 31.2 | 32.7 | 34.6 | 40 |
| 100 | 39.2 | 40.7 | 42.6 | 48 |
| 120 | 47.2 | 48.7 | 50.6 | 56 |
| 140 | 55.2 | 56.7 | 58.6 | 64 |

| REV | DATE | MODIFICATION DESCRIPTION | CHANGE | OPERATION | DRAW | DATE | SCALE | FIT | PART NO. |
|-----|------------|--------------------------|--------|-------------|---------|------------|-------|--------------|--|
| A3 | 2019/11/11 | MODIFY THE CAP | --- | OPERATION | DRAW | 2019/11/11 | SCALE | FIT | 3615-PXXX-XXXXXX01 |
| A2 | 2013/01/10 | MODIFY THE PCB | --- | x.x ±0.40 | XSR | DATE | UNIT | mm | TITLE: 0.80mm B TO B "E" MALE SMT TYPE |
| A1 | 2012/07/24 | MODIFY | --- | x.xx ±0.25 | CHECK | DATE | SIZE | inch | |
| A0 | 2012/01/31 | NEW | --- | x.xxx ±0.15 | APPROVE | DATE | SHEET | 1/1 | |
| | | | | Angle ± 3' | | | PROJ. | Customer NO. | |
| | | | | DIM TOL | | | | | |

WCON
 Http: www.wcon.com

WCON-Dongguan WCON-Kunshan
 Tel: +86 769 85358920 Tel: +86 512 57468408
 Fax: +86 769 85358915 Fax: +86 512 57468468
 E-mail: sales@wcon.com E-mail: salesks@wcon.com