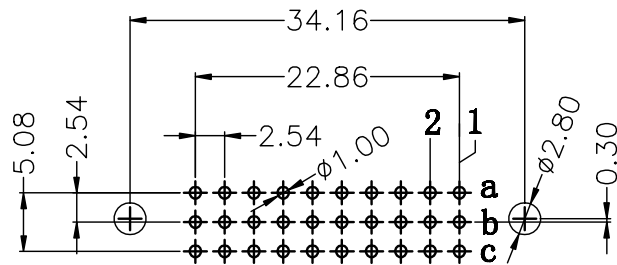
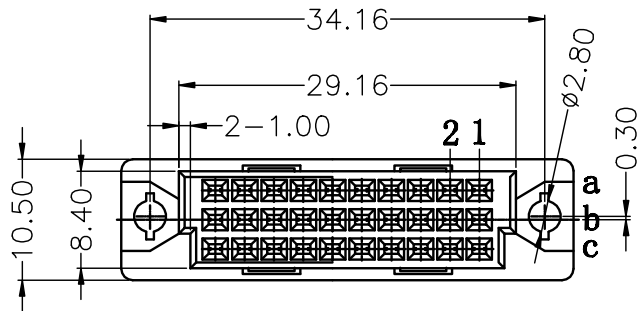
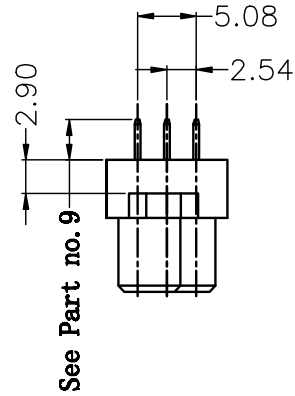
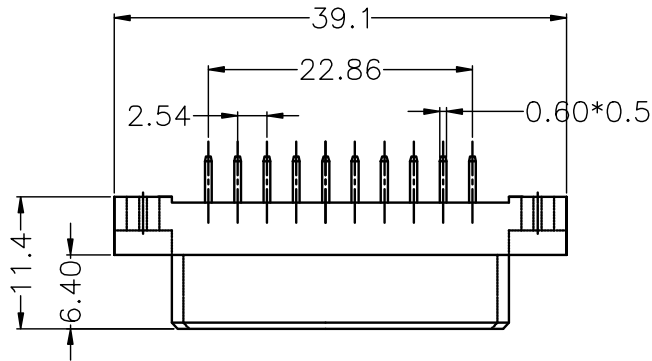


RoHS Compliant Customer Drawing

REV.	ECN NO.	DESCRIPTION	DATE	DESIGN



PCB LAYOUT(RECOMMENDED)
(TOP VIEW TOL. :±0.05)

SPECIFICATION

MATERIAL

Housing:PBT+30%G.F UL94V-0

Contacts:PhosPhor Bronze

CONTACT PLATING

G=GOLD FLASH PLATED ALL OVER, NI UNDER PLATED ALL OVER.

T=TIN PLATED ALL OVER, NI UNDER PLATED ALL OVER.

S=GOLD FLASH PLATED ON CONTACT AREA, TIN

PLATED ON SOLDER TAIL, NI UNDER PLATED ALL OVER.

A=5u" (Selective)

R=3u" (Selective)

B=10u" (Selective)

P=8u" (Selective)

C=15u" (Selective)

E=2u" (Semi-Gold Matte Tin)

D=30u" (Selective)

F=3u" (Semi-Gold Matte Tin)

V=1u" (Selective)

U=5u" (Semi-Gold Matte Tin)

N=3u" (Gold)

ELECTRICAL

Current rating: 2 Amps .

Contact resistance: 20 mΩ initial

Insulation resistance: 1000 MΩ min @ 500 VDC

Dielectric withstanding voltage: 1000 VAC / minute

Operating temperature: -40° C TO +105° C

Part no. A82 A - 030 F X S A A X X
1 2 3 4 5 6 7 8 9 10

1. SERIES NO.

2. TYPE:

A=Standard

3. CONTACT NUMBER

4. CONTACT TYPE:

F=Female

5. CONTACT AREA PLATING:

SEE SPECIFICATION

6. FUNCTION OPTION:

S=STRAIGHT

7. PROCESS OPTION:

A=3*10 Housing (Male=90°
Female=180°)

8. ROW SPACING:

A=2.54mm (a+b+c)

9. CONTACT LENGTH:

A=2.8mm

B=4.0mm

F=3.5mm

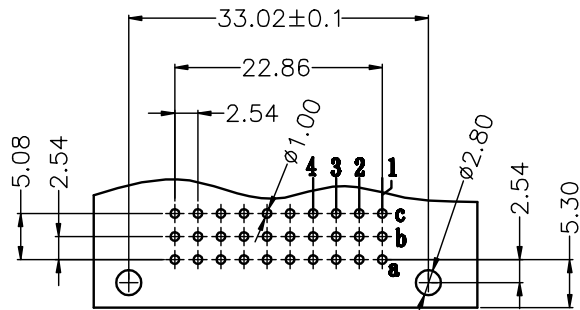
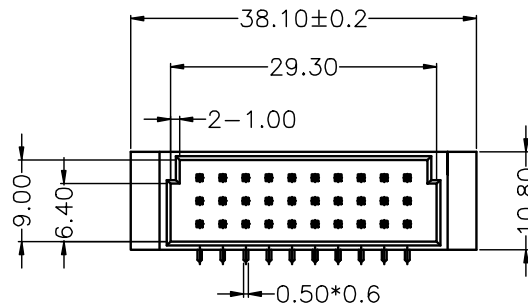
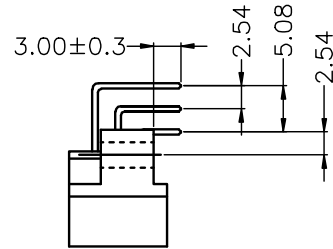
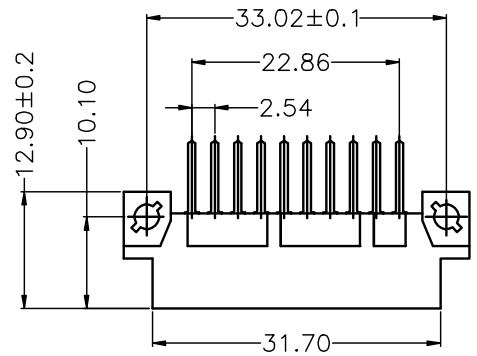
10. INSULATOR COLOR:

5=BEIGE

A=Champagne

公差一览表 TOLERANCE UNLESS OTHERWISE				nextion® CONNECTOR		诺凌电子有限公司 NOXTLON ELECTRONIC CO.,LTD			
X.	±0.35	X*.	±5°	单位 UNITS	mm	制图 DRAWING	管正志	产品名称 TME	欧式插座 330 0.5SB型 180度 母座
.X	±0.30	.X*.	±2°	角法 VIEW	⊕	设计 DESIGN	姚登攀	产品料号 PART NO.	A82A-030FXSAAXX
.XX	±0.25	.XX*.	±1°	比例 SCALE	1:1	审核 CHECK		图号 DRAW NO.	A82A-030FXSAAXX-AO
.XXX	±0.02	.XXX*.	±0.5°	版本 VER	A0	核准 APPD			
DATE	2010.09.29								

REV.	ECN NO.	DESCRIPTION	DATE	DESIGN



PCB LAYOUT(RECOMMENDED)
(TOP VIEW TOL. : ±0.05)

SPECIFICATION

MATERIAL

Housing: PBT+30%G.F UL94V-0

Contacts: Brass

CONTACT PLATING

G= GOLD FLASH PLATED ALL OVER, N1 UNDER PLATED ALL OVER.

T= TIN PLATED ALL OVER, N1 UNDER PLATED ALL OVER.

S= GOLD FLASH PLATED ON CONTACT AREA, TIN PLATED ON SOLDER TAIL, N1 UNDER PLATED ALL OVER.

A=5u" (Selective)

R=3u" (Selective)

B=10u" (Selective)

P=8u" (Selective)

C=15u" (Selective)

E=2u" (Semi-Gold Matte Tin)

D=30u" (Selective)

F=3u" (Semi-Gold Matte Tin)

V=1u" (Selective)

U=5u" (Semi-Gold Matte Tin)

N=3u" (Gold)

ELECTRICAL

Current rating: 2 Amps .

Contact resistance: 20 mΩ initial

Insulation resistance: 1000 MΩ min @ 500 VDC

Dielectric withstanding voltage: 1000 VAC / minute

Operating temperature: -40° C TO +105° C

Part no. A02 A - 030 M X R A A E X

 1 2 3 4 5 6 7 8 9 10

1. SERIES NO.

7. PROCESS OPTION:

2. TYPE:

A=3*10 Housing (Male=90°
Female=180°)

A=Standard

3. CONTACT NUMBER

8. ROW SPACING:

4. CONTACT TYPE:

A=2.54mm(a+b+c)

M=Male

5. CONTACT AREA PLATING:

9. CONTACT LENGTH:

SEE SPECIFICATION

E=3.0mm (Right angle only)

6. FUNCTION OPTION:

10. INSULATOR COLOR:

R=Right angle

5=BEIGE

A=Champagne

公差一览表 TOLERANCE UNLESS OTHERWISE				nextion® CONNECTOR		诺凌电子有限公司 NOXTLON ELECTRONIC CO.,LTD			
X.	±0.35	X°.	±5°	单位 UNITS	mm	制图 DRAWING	管正志	产品名称 TMS	欧式插座 330 A型 90度 公座
.X	±0.30	.X°.	±2°	角法 VIEW	⊕	设计 DESIGN	管正志	产品料号 PART NO.	A02A-030MXRAAEX
.XX	±0.25	.XX°.	±1°	比例 SCALE	1:1	审核 CHECK		图号 DRAW NO.	A02A-030MXRAAEX-A0
.XXX	±0.02	.XXX°.	±0.5°	版本 VER	A0	核准 APPD			
DATE	2010. 02. 03								