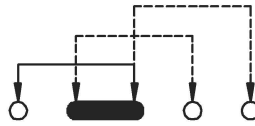
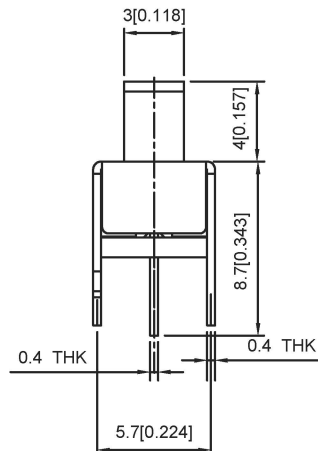
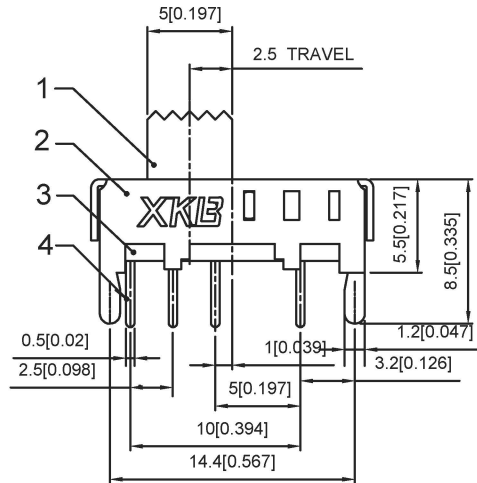


PCB LAYOUT
BOTTOM VIEW



SCHEMATIC



SS13E05- X

L(MM)
2 ~ 10

| | |
|--------------------|-------------|
| RATING | 0.3A 50V DC |
| CIRCUIT | 1P4T |
| CONTACT RESISTANCE | 100MΩ MAX |
| TRAVEL | 2.5MM |
| OPERATING FORCE | 250±100gf |
| OPERATING LIFE | 10000 |

| ITEM | PAPT NAME | TER,NO | QTY | MATERIAL | FINISHING | REMARK |
|------|-----------|--------|-----|----------------|-----------|--------|
| ④ | Terminal | — | 4 | Brass (0.30t) | ag Plated | — |
| ③ | Base | — | 1 | Phenolic Resin | — | — |
| ② | Cover | — | 1 | Sus | Natural | — |
| ① | Keystake | — | 1 | Pa66 | Black | — |

广东星坤科技股份有限公司

生效日期

| | | | |
|---------------------------------------|------|-------------|-----------------------------|
| DSND | DATE | SCALE: N/A | MODEL TYPE: SLIDE SWITCH |
| DWN | DATE | VIEW: | PART NO.: SS13E05 |
| CHKD | DATE | UNIT: mm/in | DWG NO.: SS13E05X |
| APPD | DATE | SIZE: A4 | WEIGHT 1.0g |
| XKB INDUSTRIAL PRECISION CO., LIMITED | | | SHEET 1/1 |
| UNSPECIFIED TOLERANCES | | | REVISION A0 |

文件工程章

REVISIONS
www.helloxb.com www.helloxb.cn