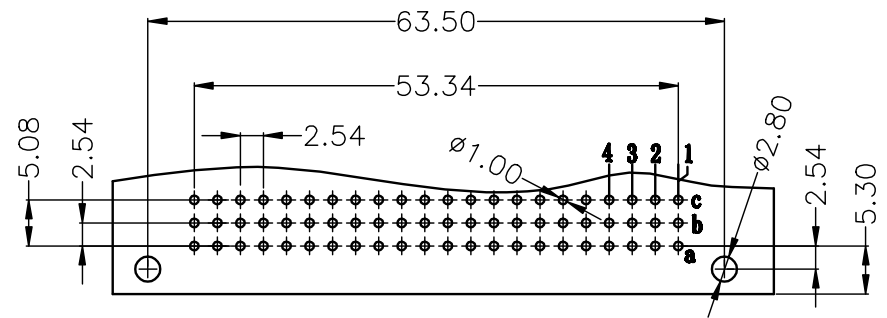
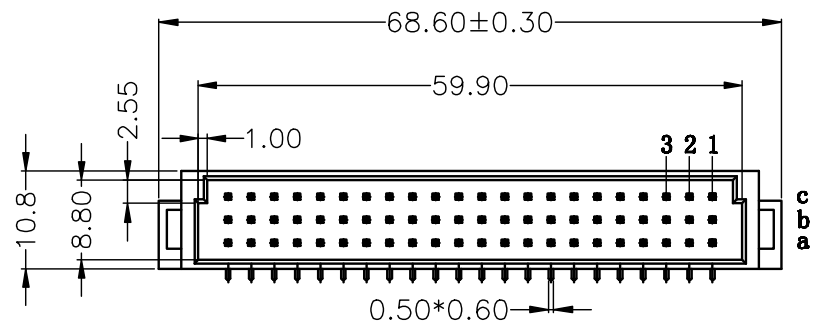
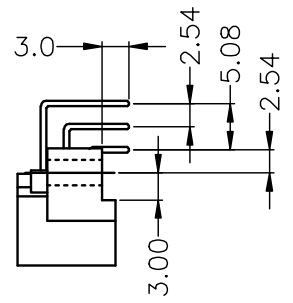
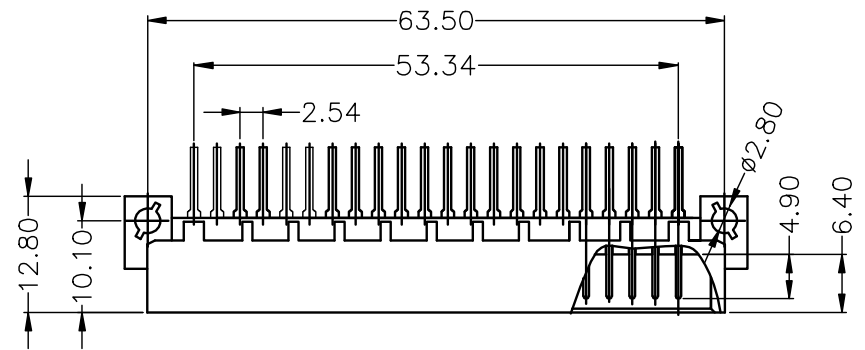


RoHS Compliant Customer Drawing

REV.	ECN NO.	DESCRIPTION	DATE	DESIGN



PCB LAYOUT(RECOMMENDED)
(TOP VIEW TOL. :±0.05)

SPECIFICATION

MATERIAL
Housing:PBT+30%G.F UL94V-0 Color:Champagne
Contacts:Brass
CONTACT PLATING
G= GOLD FLASH PLATED ALL OVER, NI UNDER PLATED ALL OVER.
T=TIN PLATED ALL OVER, NI UNDER PLATED ALL OVER.
S= GOLD FLASH PLATED ON CONTACT AREA, TIN PLATED ON SOLDER TAIL, NI UNDER PLATED ALL OVER.
A=5u" (Selective) R=3u" (Selective)
B=10u" (Selective) P=8u" (Selective)
C=15u" (Selective) E=2u" (Semi-Gold Matte Tin)
D=30u" (Selective) F=3u" (Semi-Gold Matte Tin)
V=1u" (Selective) U=5u" (Semi-Gold Matte Tin)
N=3u" (Gold)
ELECTRICAL
Current rating: 2 Amps .
Contact resistance: 20 mΩ initial
Insulation resistance: 1000 MΩ min @ 500 VDC
Dielectric withstanding voltage: 1000 VAC / minute
Operating temperature: -40° C TO +105° C

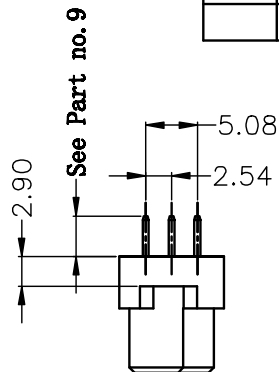
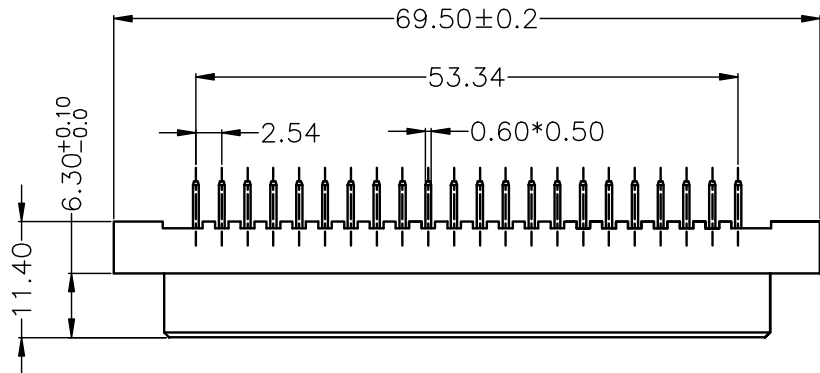
Part no. A02 A - 066 M X R E A E X
1 2 3 4 5 6 7 8 9 10

- SERIES NO.
- TYPE:
A=Standard
- CONTACT NUMBER
- CONTACT TYPE:
M=Male
- CONTACT AREA PLATING:
SEE SPECIFICATION
- FUNCTION OPTION:
R=Right angle
- PROCESS OPTION:
E=3*22 Housing (Male=90°
Female=180°)
- ROW SPACING:
A=2.54mm(a+b+c)
- CONTACT LENGTH:
E=3.0mm(Right angle only)
- INSULATOR COLOR:
A=Champagne

公差一览表 TOLERANCE UNLESS OTHERWISE				nextion® CONNECTOR		诺凌电子有限公司 NOXTLON ELECTRONIC CO.,LTD			
X.	±0.35	X*.	±5°	单位 UNITS	mm	制图 DRAWING	黄小慧	产品名称 TMS	欧式插座 366 A型 90度 公座
.X	±0.30	.X*.	±2°	角法 VIEW	⊕	设计 DESIGN	黄小慧	产品料号 PART NO.	A02A-066MXREAEX
.XX	±0.25	.XX*.	±1°	比例 SCALE	1:1	审核 CHECK		图号 DRAW NO.	A02A-066MXREAEX-A0
.XXX	±0.02	.XXX*.	±0.5°	版本 VER	A0	核准 APPD			
DATE	2014. 12. 20								

RoHS Compliant Customer Drawing

REV.	ECN NO.	DESCRIPTION	DATE	DESIGN



SPECIFICATION

MATERIAL

Housing: PBT+30%G.F UL94V-0

Contacts: PhosPhor Bronze

CONTACT PLATING

G-GOLD FLASH PLATED ALL OVER, Ni UNDER PLATED ALL OVER.

T-TIN PLATED ALL OVER, Ni UNDER PLATED ALL OVER.

S-GOLD FLASH PLATED ON CONTACT AREA, TIN PLATED ON SOLDER TAIL, Ni UNDER PLATED ALL OVER.

ELECTRICAL

Current rating: 2 Amps .

Contact resistance: 20 mΩ initial

Insulation resistance: 1000 MΩ min @ 500 VDC

Dielectric withstanding voltage: 1000 VAC / minute

Operating temperature: -40° C TO +105° C

Part no. A02 A - 066 F X S E A X X
 1 2 3 4 5 6 7 8 9 10

1. SERIES NO.

2. TYPE:

A-Standard

3. CONTACT NUMBER

4. CONTACT TYPE:

F-Female

5. CONTACT AREA PLATING:

SEE SPECIFICATION

6. FUNCTION OPTION:

S-STRAIGHT

7. PROCESS OPTION:

E=3*22 Housing (Male=90° Female=180°)

8. ROW SPACING:

A=2.54mm (a+b+c)

9. CONTACT LENGTH:

A=2.8mm

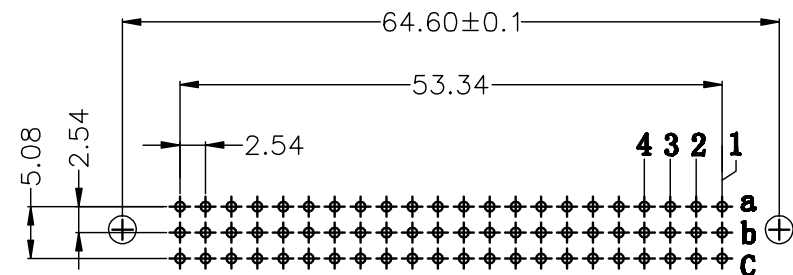
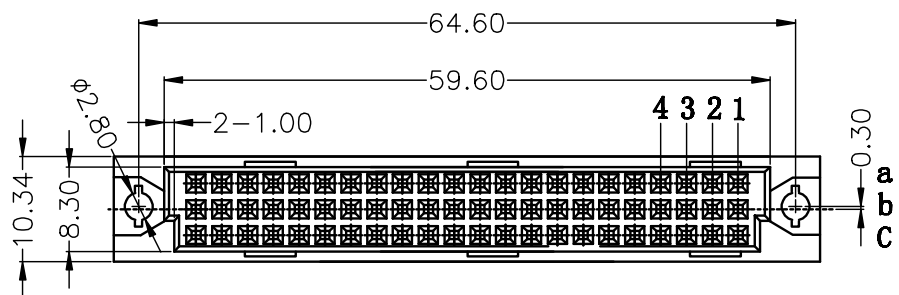
B=4.0mm

F=3.5mm

10. INSULATOR COLOR:

5-BEIGE

A-Champagne



PCB LAYOUT (RECOMMENDED)

(TOP VIEW TOL. : ±0.05)

公差一览表			
TOLERANCE UNLESS OTHERWISE			
X.	±0.35	X°.	±5°
.X	±0.30	.X°.	±2°
.XX	±0.25	.XX°.	±1°
.XXX	±0.02	.XXX°.	±0.5°
日期	2009.09.15	版本	A0
DATE		VER	

nextion®
CONNECTOR

诺凌电子有限公司

NOXTLON ELECTRONIC CO.,LTD

UNIT	mm	制图	姚登攀	产品名称	欧式插座 366 0.5S型 180度 母座
角法	VIEW	设计	姚登攀	MLA	
比例	1:1	审核		产品料号	A02A-066FXSEAXX
版本	A0	核准		图号	A02A-066FXSEAXX-A0
DATE		APP		DRAW NO	