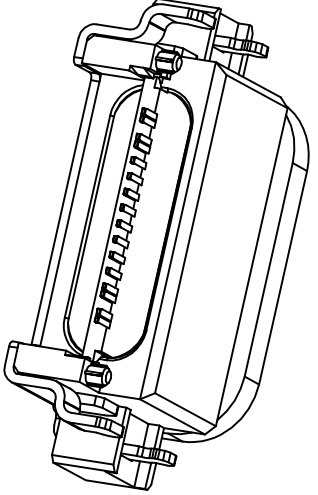


3D VIEW(REF)



- MAIN SPECIFICATION:
- VOLTAGE/CURRENT RATING: 5V/3.0 A
电流: 5V/3.0 A
 - DIELECTRIC WITHSTAND VOLTAGE: 100VAC
耐电压: 110V MAX
 - TEMPERATURE RANGE: -30 °C ~ 85 °C
使用温度: -30 °C ~ 85 °C
 - CONTACT RESISTANCE: 40 MILLIONHM MAX
电阻: 40 MILLIONHM MAX
 - INSULATION RESISTANCE: 100 MEGOHMS MIN.
绝缘阻抗: 100 MEGOHMS MIN.
 - INITIAL INSERTION FORCE 5-20N, EXACTION FORCE: 8-20N
初始插入力: 5-20N; 初始拔出力: 8-20N.
 - AFTER DURABILITY(10000CYCLES) INSERTION FORCE 5-20N
EXACTION FORCE: 6-20N
寿命后(10000次)插入力: 5-20N; 拔出力: 6-20N.
 - WATERPROOF GRADE: IPX7
防水等级: IPX7.

16PIN INTERFACE(FRONT VIEW)

A1	A2	A3	A4	A5	A6	A7	A8	A9	A10	A11	A12
GND	VBUS	CCI	DP1	DN1	SBU1	VBUS	GND	GND	GND	GND	GND
GND	VBUS	SBU2	DN2	DP2	CC2	VBUS	GND	GND	GND	GND	GND
B12	B11	B10	B9	B8	B7	B6	B5	B4	B3	B2	B1

16PIN ASSIGNMENT

PIN NO.	A1&B12	A4&B9	B8	A5	B7	A6	A7	B6	A8	B5	A9&B4	A12&B1
SINGAL NAME	GND	VBUS	SBU2	CCI	DN2	DP1	DN1	DP2	SBU1	CC2	VBUS	GND
PCB PAD NO.	C1	C2	C3	C4	C5	C6	C7	C8	C9	C10	C11	C12

14PIN INTERFACE(FRONT VIEW)

A1	A2	A3	A4	A5	A6	A7	A8	A9	A10	A11	A12
GND	VBUS	CCI	DP1	DN1	VBUS	GND	GND	GND	GND	GND	GND
GND	VBUS	SBU2	DN2	DP2	CC2	VBUS	GND	GND	GND	GND	GND
B12	B11	B10	B9	B8	B7	B6	B5	B4	B3	B2	B1

14PIN ASSIGNMENT

PIN NO.	A1&B12	A4&B9	B8	A5	B7	A6	A7	B6	A8	B5	A9&B4	A12&B1
SINGAL NAME	GND	VBUS	SBU2	CCI	DN2	DP1	DN1	DP2	SBU1	CC2	VBUS	GND
PCB PAD NO.	C1	C2	C3	C4	C5	C6	C7	C8	C9	C10	C11	C12

12PIN INTERFACE(FRONT VIEW)

A1	A2	A3	A4	A5	A6	A7	A8	A9	A10	A11	A12
GND	VBUS	CCI	DP1	DN1	SBU1	VBUS	GND	GND	GND	GND	GND
GND	VBUS	SBU2	DN2	DP2	CC2	VBUS	GND	GND	GND	GND	GND
B12	B11	B10	B9	B8	B7	B6	B5	B4	B3	B2	B1

12PIN PIN ASSIGNMENT

PIN NO.	A1	B9	B8	A5	B7	A6	A7	B6	A8	B5	A9	B1
SINGAL NAME	GND	VBUS	SBU2	CCI	DN2	DP1	DN1	DP2	SBU1	CC2	VBUS	GND
PCB PAD NO.	C1	C2	C3	C4	C5	C6	C7	C8	C9	C10	C11	C12

6PIN INTERFACE(FRONT VIEW)

A1	A2	A3	A4	A5	A6	A7	A8	A9	A10	A11	A12
GND	VBUS	CCI	DP1	DN1	SBU1	VBUS	GND	GND	GND	GND	GND
GND	VBUS	SBU2	DN2	DP2	CC2	VBUS	GND	GND	GND	GND	GND
B12	B11	B10	B9	B8	B7	B6	B5	B4	B3	B2	B1

6PIN PIN ASSIGNMENT

PIN NO.	A1&B12	A4&B9	B8	A5	B7	A6	A7	B6	A8	B5	A9&B4	A12&B1
SINGAL NAME	GND	VBUS	SBU2	CCI	DN2	DP1	DN1	DP2	SBU1	CC2	VBUS	GND
PCB PAD NO.	C1	C2	C3	C4	C5	C6	C7	C8	C9	C10	C11	C12

12PIN PIN ASSIGNMENT

PIN NO.	A1	B9	B8	A5	B7	A6	A7	B6	A8	B5	A9	B1
SINGAL NAME	GND	VBUS	SBU2	CCI	DN2	DP1	DN1	DP2	SBU1	CC2	VBUS	GND
PCB PAD NO.	C1	C2	C3	C4	C5	C6	C7	C8	C9	C10	C11	C12

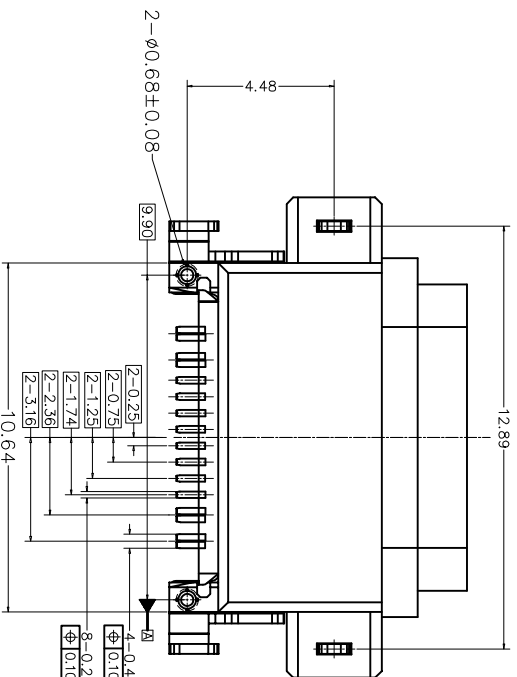
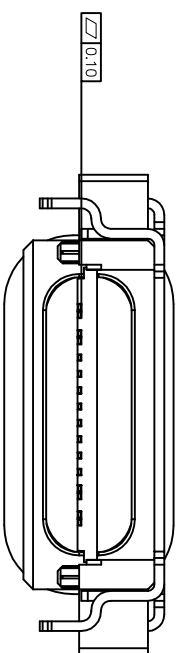
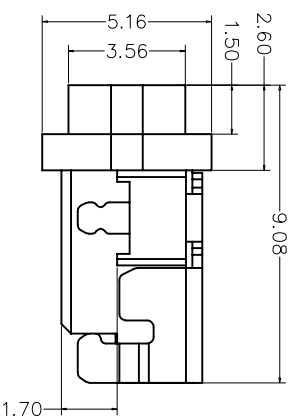
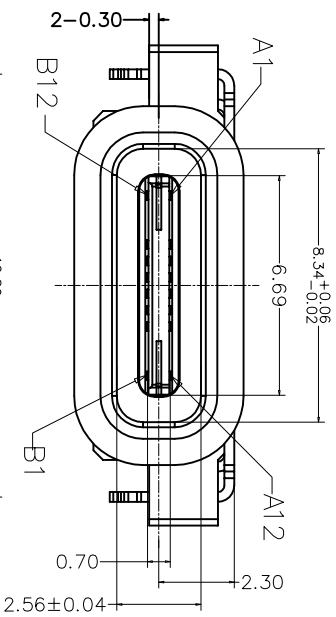
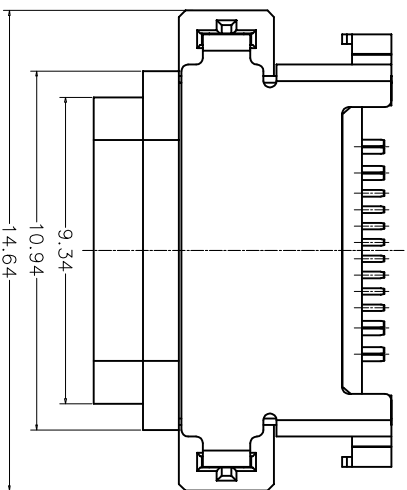
4	PUB050-0611-C07-1H (6PIN)	OUTER SHELL T3 OVER MOLDING4 HOUSING	1	SUS304 PLATED NYLON PLASTIC	SOLDERABLE NICKEL NYLON PLASTIC
3	PUB050-1211-C07-1H (12PIN)	OUTER SHELL T3 OVER MOLDING3 HOUSING	1	SUS304 PLATED NYLON PLASTIC	SOLDERABLE NICKEL NYLON PLASTIC
2	PUB050-1411-C07-1H (14PIN)	OUTER SHELL T3 OVER MOLDING2 HOUSING	1	SUS304 PLATED NYLON PLASTIC	SOLDERABLE NICKEL NYLON PLASTIC
1	PUB050-1611-C07-1H (16PIN)	OUTER SHELL T3 OVER MOLDING1 HOUSING	1	SUS304 PLATED NYLON PLASTIC	SOLDERABLE NICKEL NYLON PLASTIC

Customer P/N: 1	Customer REV.: 1	PART NO.: PUB050-11C07-1H	TITLE: WITH SHELL T4, TYPE C 16 PIN CONN(WP)
APPD: Bradley Liu 09/22/2020	CHKD: 1	DRAW: Bradley Liu 09/22/2020	DWG NO: 1070-0006-0000

浙江金佳电子

SCALE SHEET REV. 1-1 1/4 X3

THESE DRAWINGS AND SPECIFICATIONS ARE THE PROPERTY OF LUXSHARE-ICT AND SHALL NOT BE REPRODUCED, COPIED OR QUED IN ANY MANNER WITHOUT THE PRIOR WRITTEN CONSENT OF LUXSHARE-ICT



X±0.25	X°±
X±0.20	X°±5°
.XX±0.15	.XX°±3°
.XXX±0.08	.XXX°±
UNITS:	mm

THESE DRAWINGS AND SPECIFICATIONS ARE THE PROPERTY OF LUXSHARE-ICT AND SHALL NOT BE REPRODUCED, COPIED OR CUED IN ANY MANNER WITHOUT THE PRIOR WRITTEN CONSENT OF LUXSHARE-ICT



浙江金佳电子

Customer P/N: \\
Customer REV.: \\
PART NO.: PUB050-**11C07-1H

TITLE:
WITH SHELL T4, TYPE C 16 PIN CONN(WP)

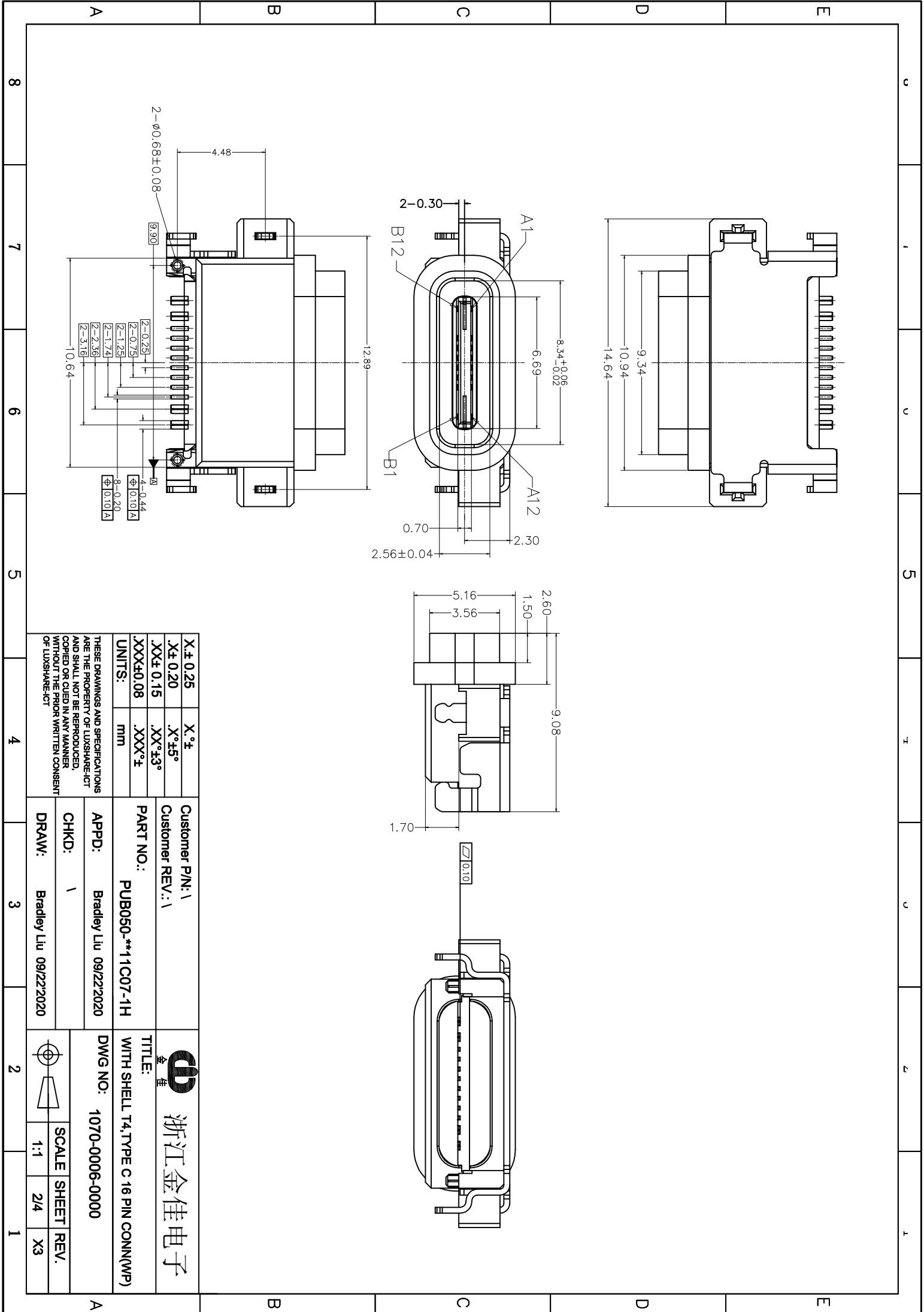
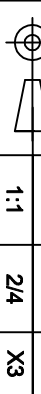
APPD: Bradley Liu 09/22/2020

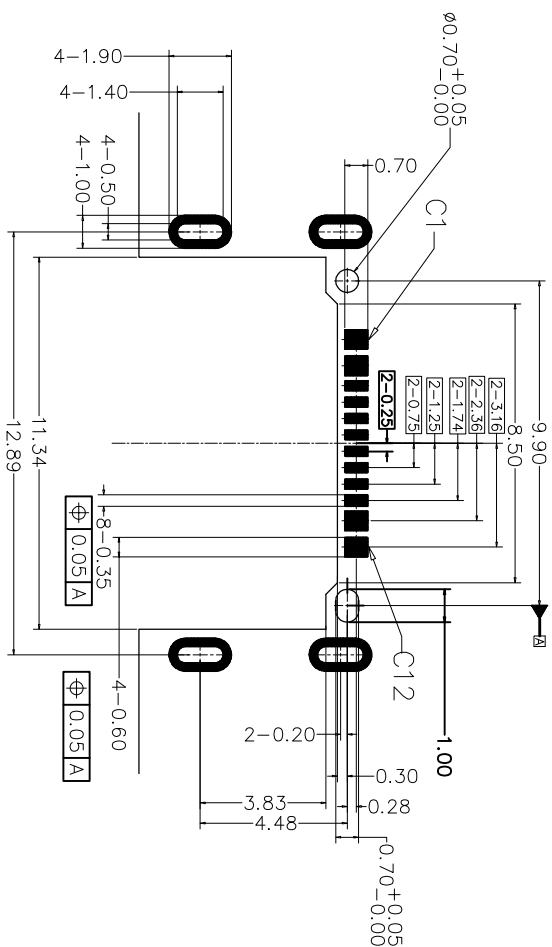
DWG NO: 1070-0006-0000

CHKD: \

SCALE SHEET REV.
1:1 2/4 X3

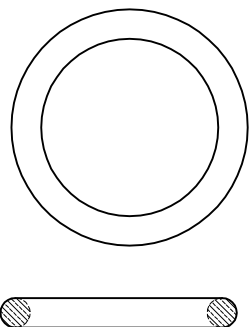
DRAW: Bradley Liu 09/22/2020



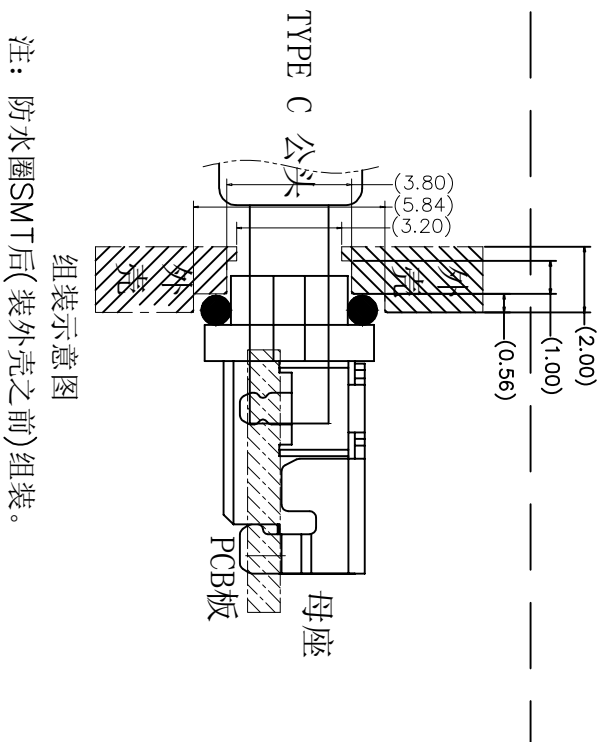


RECOMMENDED PCB LAYOUT(TOP VIEW)

THICKNESS T=1.0mm
 DEFAULT TOLERANCE+/-0.05



注：防水圈是圆形截面，直径为0.9mm的硅胶圈，防水圈挤压力，建议0.9mm挤压力到0.4mm ~ 0.5mm，防水效果良好，此零件为单独出货，非组装到成品上。



注：防水圈SMT后(装外壳之前)组装。

X±0.25	X°±
X±0.20	X°±5°
XX±0.15	XX°±3°
.XXX±0.08	.XXX°±
UNITS:	mm

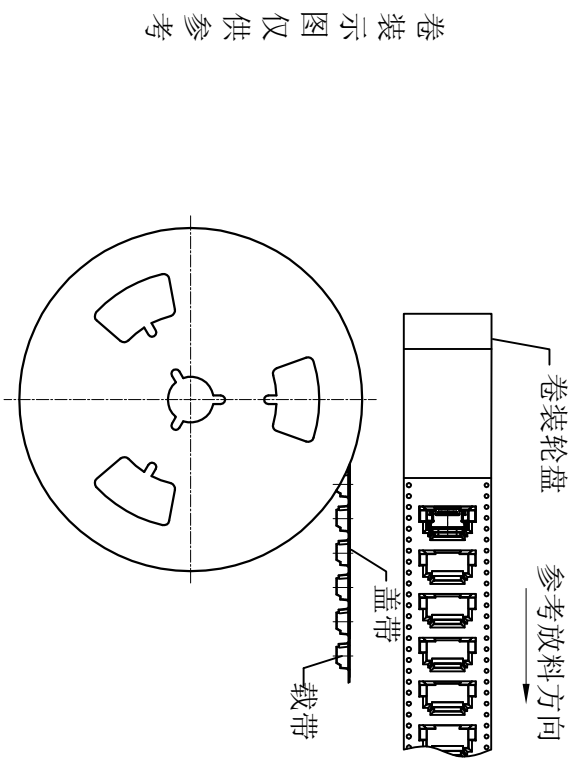
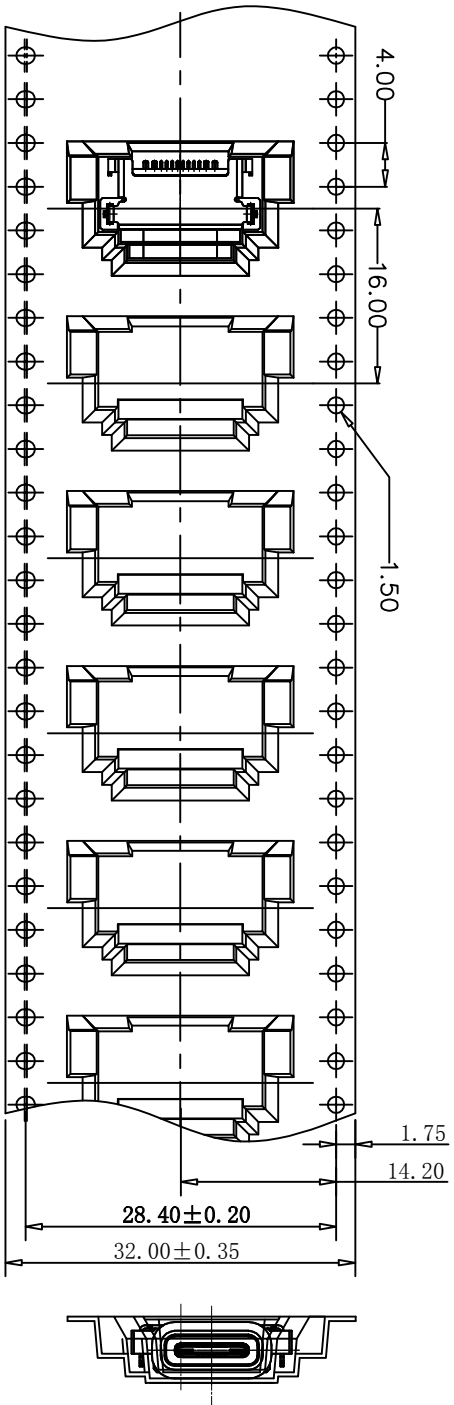
Customer P/N: \\
 Customer REV.: \\
 PART NO.: PUB050-**11C07-1H

浙江金佳电子
 TITLE: WITH SHELL T4, TYPE C 16 PIN CONN(WP)
 DWG NO: 1070-0006-0000

THESE DRAWINGS AND SPECIFICATIONS ARE THE PROPERTY OF LUXSHARE-ICT AND SHALL NOT BE REPRODUCED, COPIED OR CUEID IN ANY MANNER WITHOUT THE PRIOR WRITTEN CONSENT OF LUXSHARE-ICT

APPD: Bradley Liu 09/22/2020
 CHKD: \\
 DRAW: Bradley Liu 09/22/2020

SCALE SHEET REV.
 1:1 3/4 X3



卷装示意图仅供参考

说明:

1. 10个边孔的累计公差不能超过±0.3mm.
2. 材料规格: PS 透明
3. 13英寸卷轮卷装,
4. 13吋卷轮包装零件总颗数:720颗, (前段空包颗数:10颗, 实际包装零件颗数:700颗, 后段空包颗数:10颗).

X±0.25	X°±
X±0.20	X°±5°
.XX±0.15	.XX°±3°
.XXX±0.08	.XXX°±
UNITS:	mm

THESE DRAWINGS AND SPECIFICATIONS ARE THE PROPERTY OF LUXSHARE-ICT AND SHALL NOT BE REPRODUCED, COPIED OR CUEID IN ANY MANNER WITHOUT THE PRIOR WRITTEN CONSENT OF LUXSHARE-ICT

Customer P/N: \

Customer REV.: \

PART NO.: PUB050-**-11-C06-1H

APPD: Bradley Liu 09/22/2020

CHKD: \

DRAW: Bradley Liu 09/22/2020

浙江金佳电子

TITLE: WITH SHELL T2,TYPE C 16 PIN CONN(W/P)
金属壳T2型,TYPE C 16 PIN CONN (W/P)

DWG NO: 1070-0006-0000

SCALE	SHEET	REV.
1:1	4/4	X3