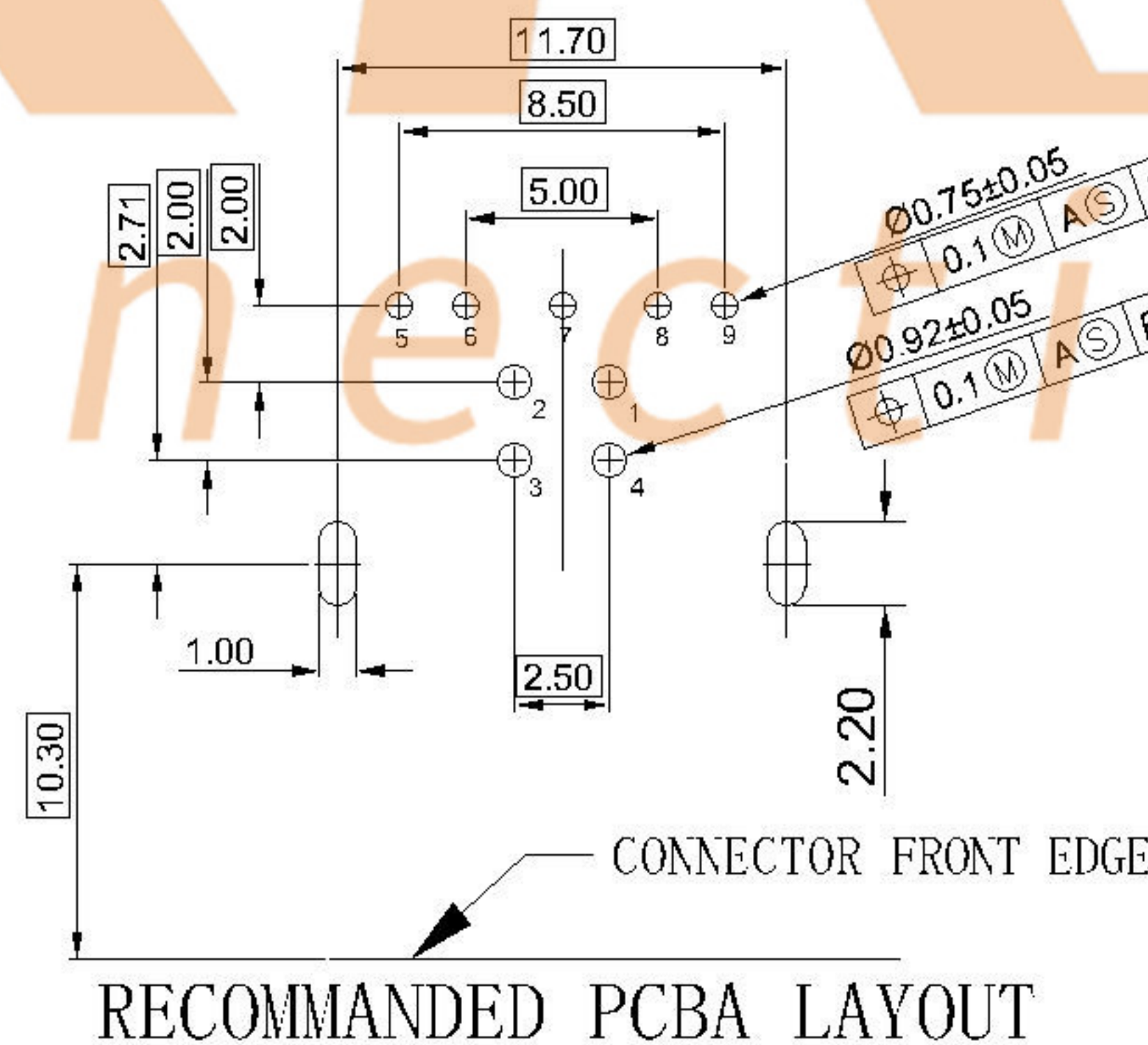
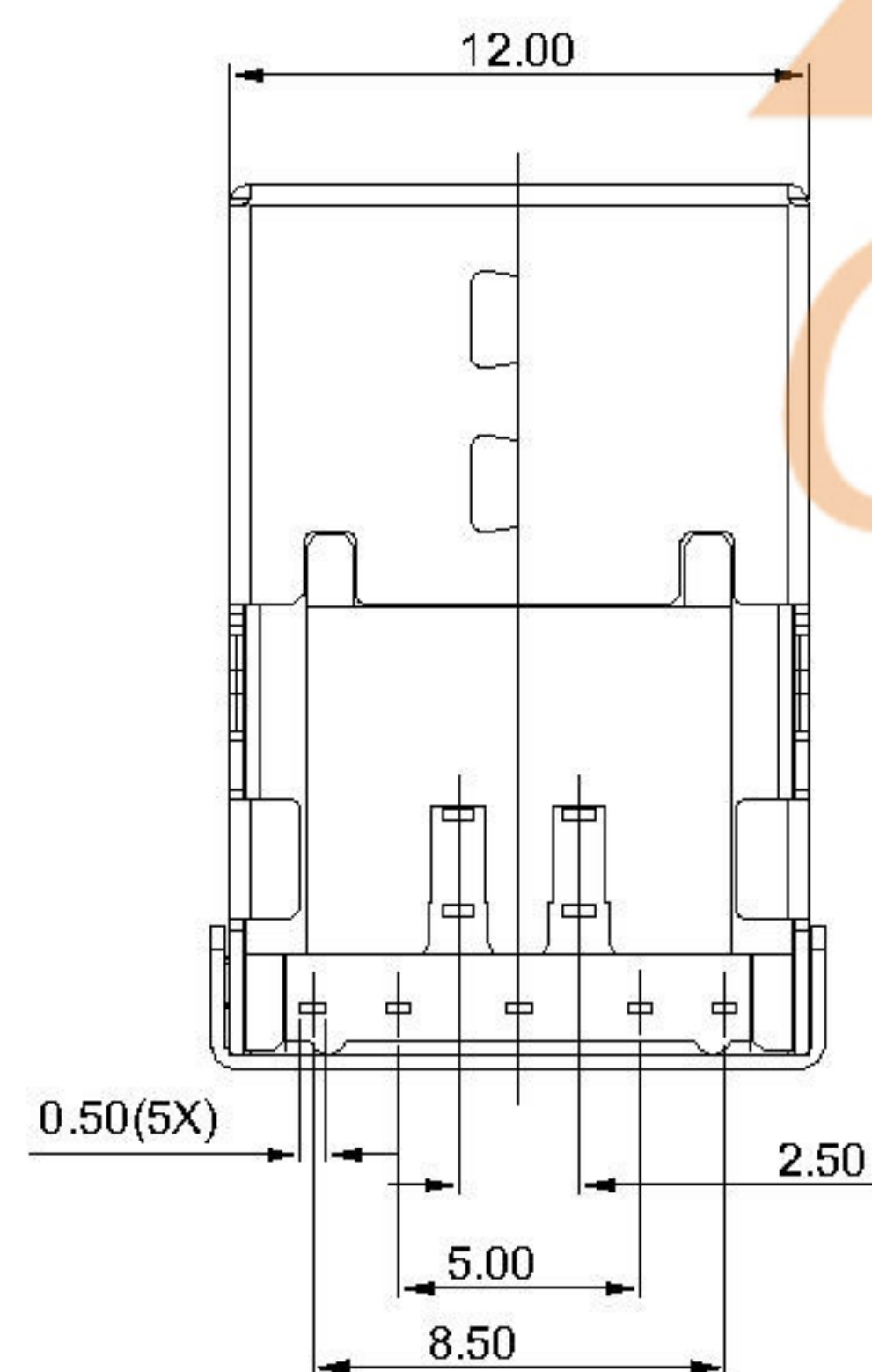
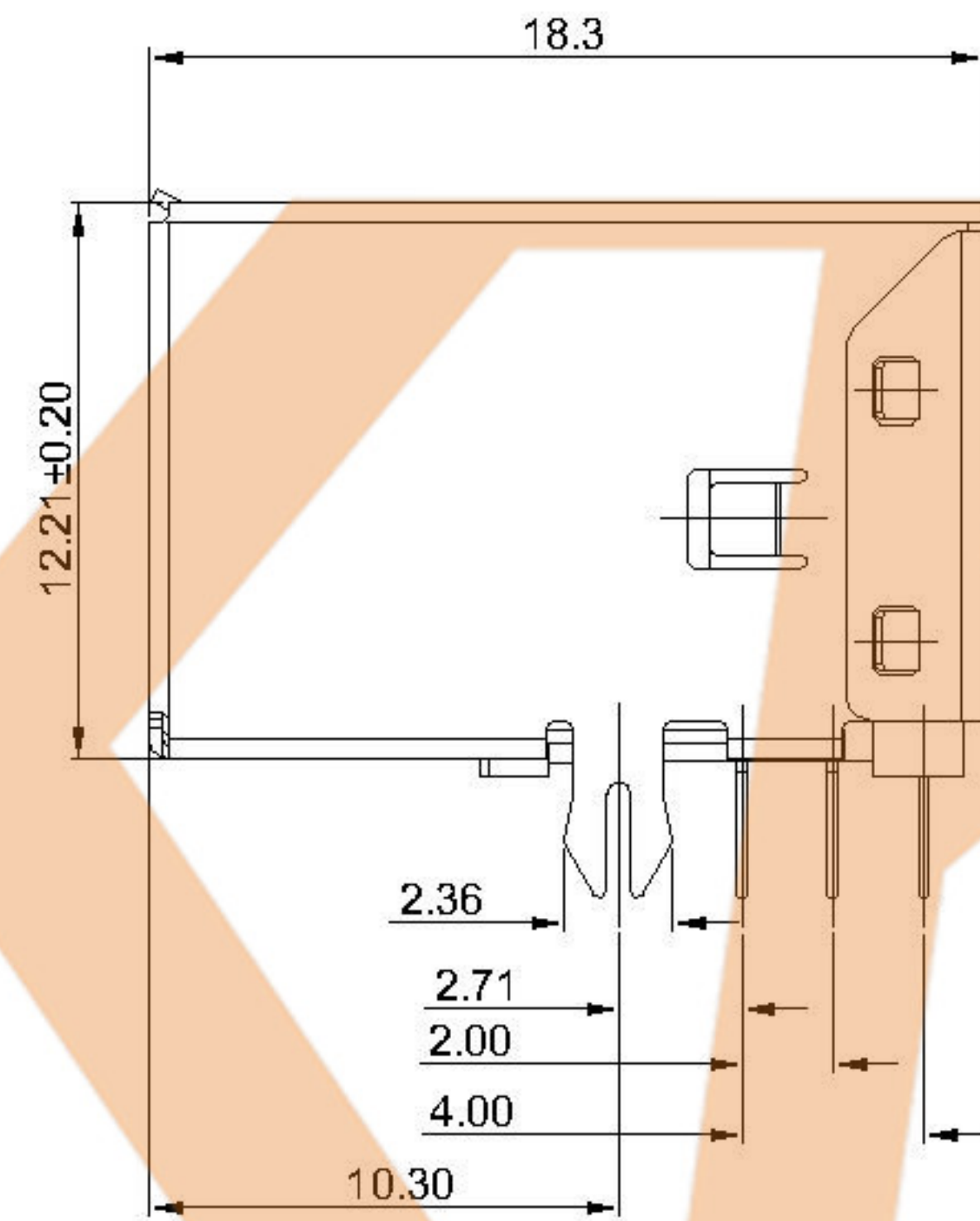
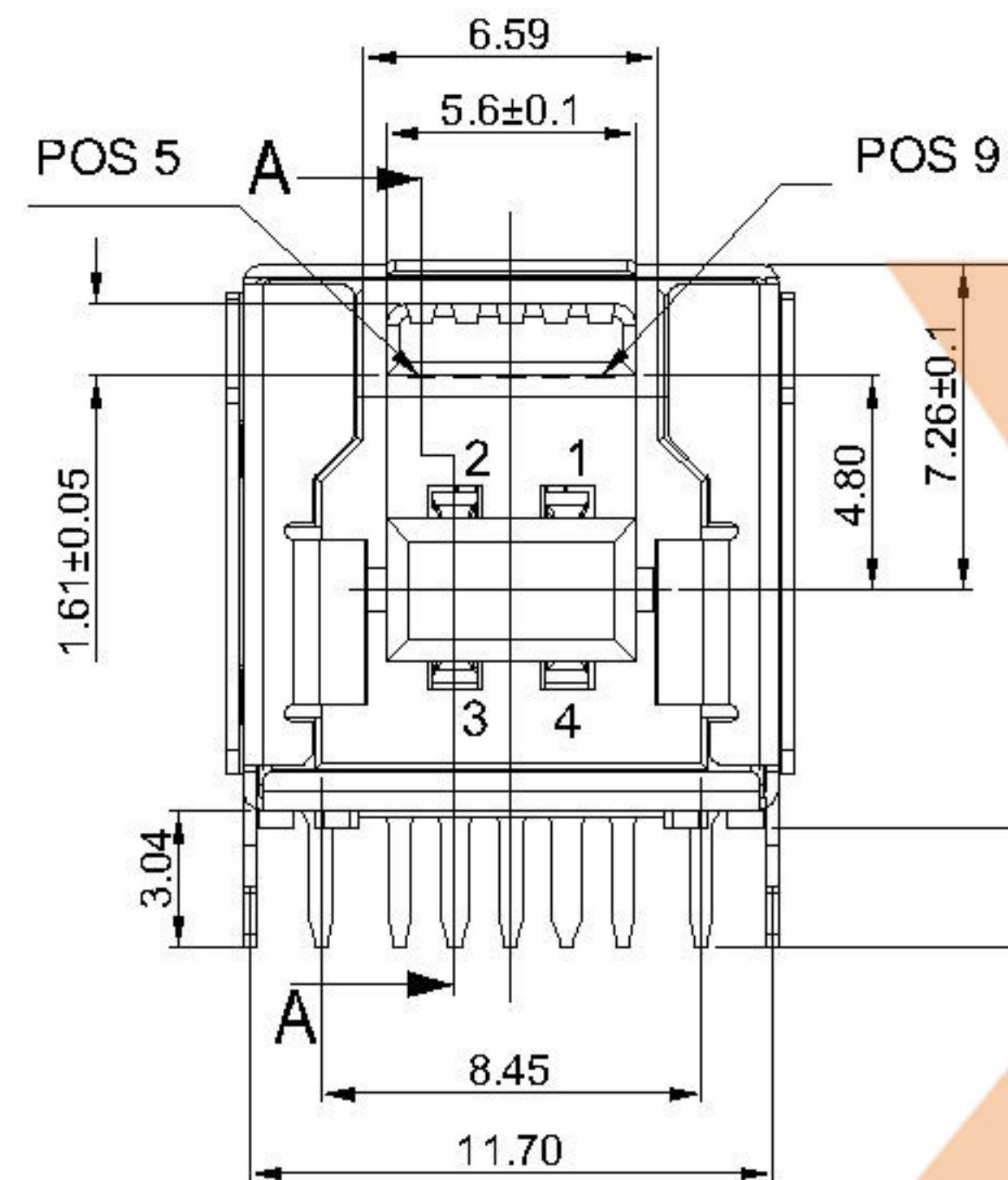


Pin #	SIGNAL NAME	DESCRIPTION	MATING SEQUENCE
1	VBUS	POWER	SECOND
2	D-	USB 2.0 DIFFERENTIAL PAIR	THIRD
3	D+		
4	GND	GROUND FOR POWER RETURN	SECOND
5	StdA_SSRX-	SUPERSPEED RECEIVER DIFFERENTIAL PAIR	LAST
6	StdA_SSRX+		
7	GND_DRAIN	GROUND FOR SIGNAL RETURN	
8	StdA_SSTX-	SUPERSPEED TRANSMITTER DIFFERENTIAL PAIR	
9	StdA_SSTX+		
Shell	Shield	CONNECTOR METAL SHELL	FRIST

Material
 Housing Material: LCP, UL94V-0, blue
 Contact Terminal: Brass
 Metallic Shell: Brass
Plating
 Underplating: Nickel
 Contact Plating: 1μ" Gold
 Solder Tail: 100μ" Min. Tin
 Metallic Shell: Nickel
Electrical
 Voltage Rating: 100 V AC
 Current Rating: 1.5A
 Contact Resistance: 30mΩ Max.
 Insulation resistance: 1000MΩ Min.
 Dielectric withstanding voltage: 100V AC/Minute
Mechanical
 Durability: 1500 cycles
 Mating Force: 35N (3.57Kgf) Max
 Unmating Force: 10N (1.02Kgf) Min. initial, 8N min after test
Environmental and Processing
 Operating Temperature: -40°C to +85°C



U235-09XN-4BLRC16-4

1: Au 1U"
 5: Au 15U"
 6: Au 30U"

T: TIN
 N: NICKEL

MARK	DESCRIPTION	DATE	REVISED	APPROVED	UNSPECIFIED TOLERANCES	DSND	DATE	SCALE: N/A	MODEL TYPE: USB 3.0
Δ X					ANGLAR ±5°	DWN	DATE	VIEW:	PART NO.:
Δ X					L ≤ 4 ±0.2	CHKD	DATE	UNIT: mm	DWG NO.:
Δ X					4 < L ≤ 16 ±0.3	APPD	DATE	SIZE: A4	U235-09XN-4BLRC16-4
					16 < L ≤ 63 ±0.4				WEIGHT 1.0g
					L > 63 ±0.5				SHEET 1/1
									REVISION A0

www.xk-dg.cn www.helloxkb.com www.helloxkb.cn

XKB INDUSTRIAL PRECISION CO., LIMITED