



MARKING: 61

**特征 Features**

- 开关速度小于 4.0nS; Fast Switching Device (TRR <4.0 nS)
- 最大功率耗散 150mW; Power Dissipation of 150mW
- 高稳定性和可靠性。High Stability and High Reliability
- 反向漏电流小。Low reverse leakage

机械数据 Mechanical Data

- 封装: SOD-523 封装 SOD-523 Small Outline Plastic Package
- 极性: 色环端为负极 Polarity: Color band denotes cathode end
- 安装位置: 任意 Mounting Position: Any

极限值和温度特性(TA = 25℃ 除非另有规定)

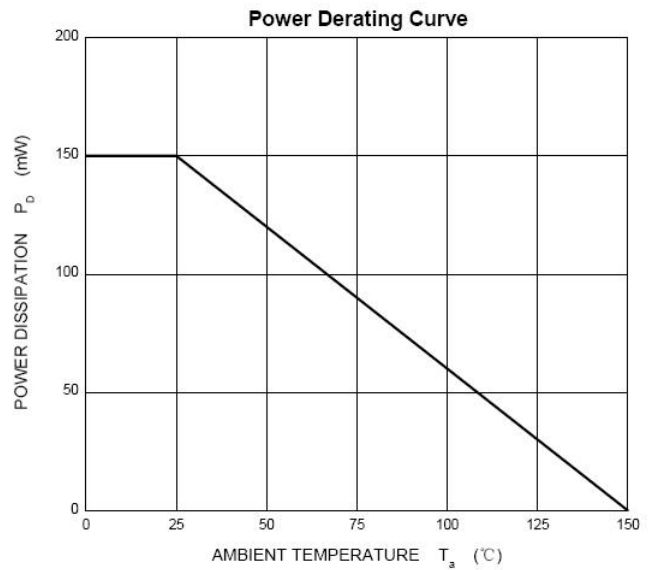
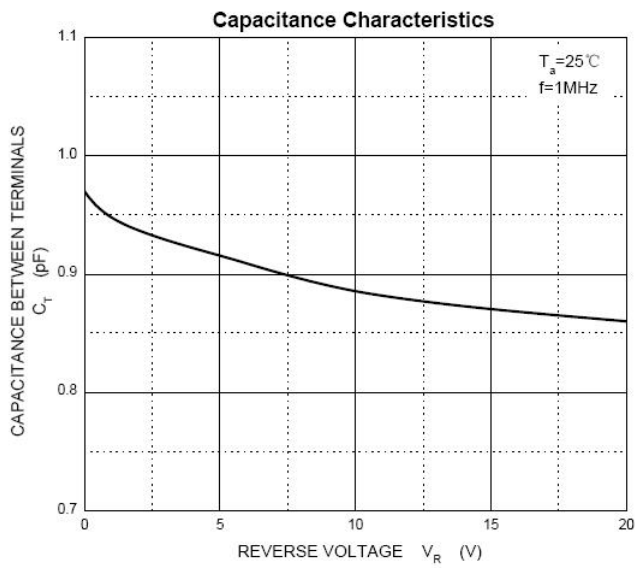
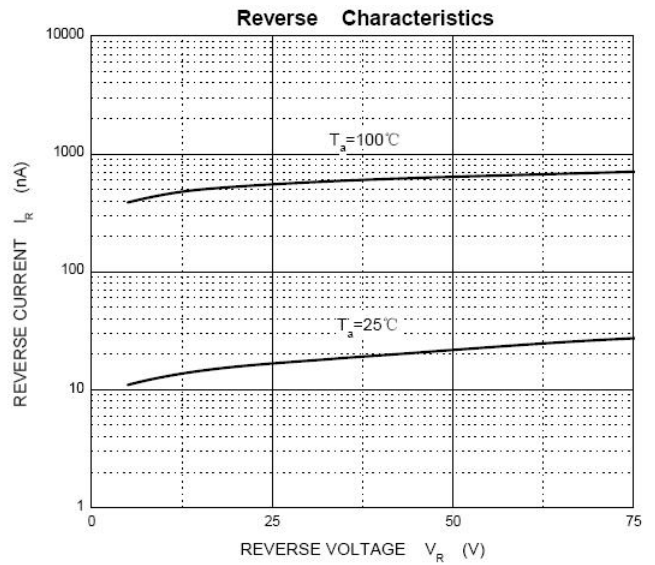
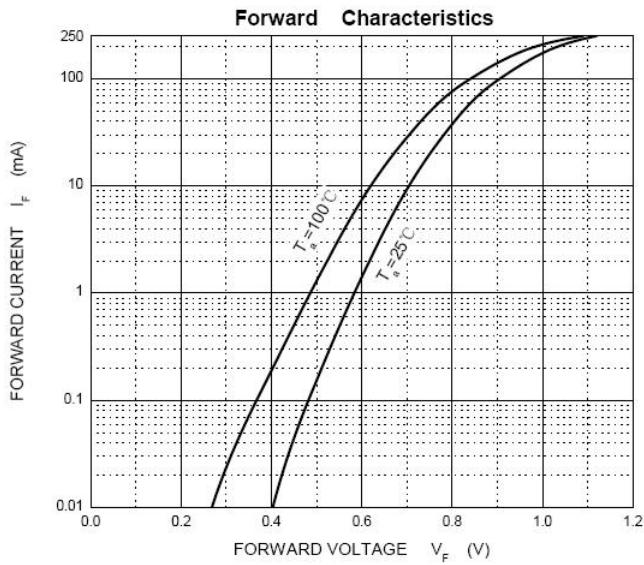
Maximum Ratings & Thermal Characteristics (Ratings at 25℃ ambient temperature unless otherwise specified.)

参数 Parameters	符号 Symbol	数值 Value	单位 Unit
反向电压 Reverse Voltage	V _R	75	V
反向工作电压 Working Inverse Voltage	W _{IV}	75	V
反向峰值电压 Peak Reverse Voltage	V _{RM}	100	V
功率消耗 Power Dissipation	P _d	150	mW
工作结温 Operating junction temperature	T _j	150	℃
存储温度 Storage temperature range	T _s	-55-+150	℃
热阻 Thermal Resistance from Junction to Ambient	R _{θ JA}	833	℃/W
平均整流电流 Average Rectified Current	I _O	250	mA
正向(不重复)浪涌电流 Peak Forward Surge Current @tp=1us; TA=25℃	I _{FSM}	2.0	A

Valid provided that electrodes are kept at ambient temperature.

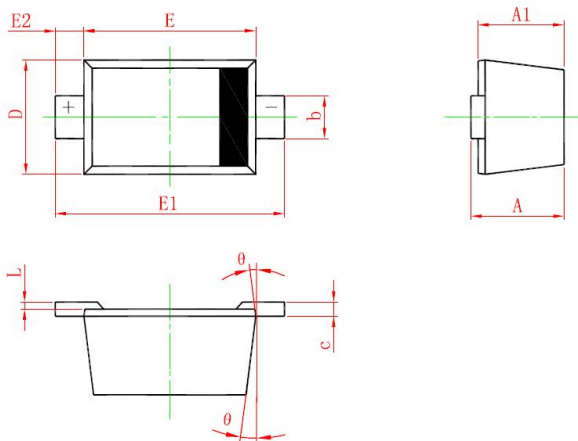
电特性 **Electrical Characteristics** (Ratings at 25℃ ambient temperature unless otherwise specified).

符号 Symbols	参数 Parameter	测试条件 Test Condition	界限 Limits		单位 Unit
			Min	Max	
BV	反向击穿电压	IR=100uA	75		V
IR	反向漏电流 Reverse Leakage Current	VR=25V	---	30	nA
		VR=75	---	1	uA
VF	正向电压 Forward Voltage	IF=1.0mA	---	0.715	V
		IF=10mA	---	0.855	
		IF=50mA	---	1.00	
		IF=150mA	---	1.25	
TRR	反向恢复时间 Reverse Recovery Time	IF= IR=10mA RL=100Ω IRR=0.1 X IR	---	4	nS
CT	结电容 Capacitance	VR=0V, f=1MHZ	---	1	pF



SOD-523 PACKAGE OUTLINE

Plastic surface mounted package



Symbol	Dimensions In Millimeters		Dimensions In Inches	
	Min	Max	Min	Max
A	0.510	0.770	0.020	0.031
A1	0.500	0.700	0.020	0.028
b	0.250	0.350	0.010	0.014
c	0.080	0.150	0.003	0.006
D	0.750	0.850	0.030	0.033
E	1.100	1.300	0.043	0.051
E1	1.500	1.700	0.059	0.067
E2	0.200 REF		0.008 REF	
L	0.010	0.070	0.001	0.003
θ	7° REF		7° REF	