

湖北磁创电子科技有限公司 产品承认书

CUSTOMER: _____

CUSTOMER P/N: _____

PPT P/N:

PM45-1020M

DESCRIPTION:

10/100 BASE-T TRANSFORMER MODULES

ATTACHMENT:

■ SPECIFICATION

■ SAMPLE Q'TY OF SAMPLES _____ PCS



湖北磁创电子科技有限公司

APPROVAL SIGNATURE

(客户承认签章)

发行

ISSUED

检查

**CHECKED
BY**

审核

APPROVAL

日期 DATE: 年 月 日

日期 DATE:

PPT

湖北磁创电子科技有限公司

Hubei Magnetic Electron Technology Co.,Ltd

TEL:(86)755-88367400 FAX: (86)755-29625890 Email: sales@pptchina.cn

PLEASE REPLY THIS SHEET TO US AFTER SIGNATURE(请签字后回传本页)

1. FEATURES:

- 1.1 Meet The Isolation, Insertion Loss and Return Loss Requirements of IEEE802.3
- 1.2 Available Industry Standard and Low Profile Packages
- 1.3 Isolation Modules are Available for Most LAN IC Manufacturer's Products
- 1.4 RoHS-6 peak wave solder temperature rating 260°C~270°C
- 1.5 Operating Temperature: 0°C~70°C
- 1.6 Storage temperature range is -40°C~+85°C.
- 1.7 Contact PPT for Farther Requirements.

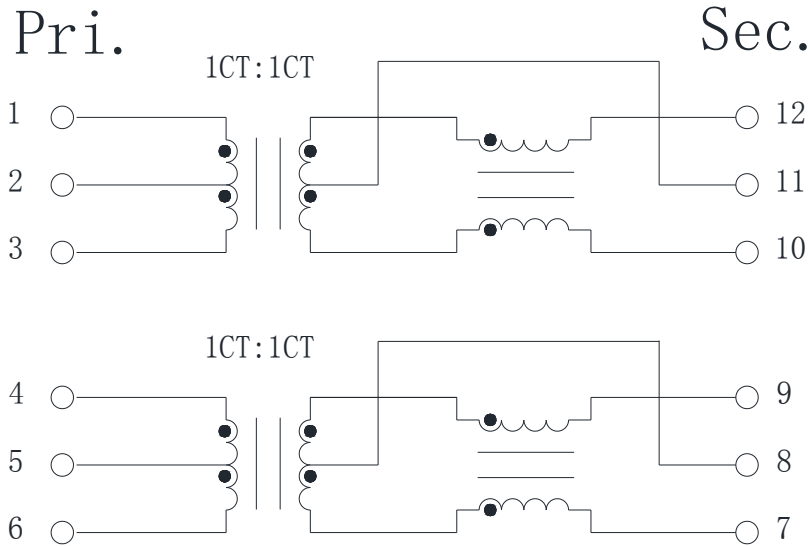
2. ELECTRICAL SPECIFICATIONS @25°C

- 2.1 OCL : 350 uH Min @ 100kHz 100mV, with 8mA DC Bias.
- 2.2 Turn Ratio : 1CT:1CT±5% @ 100KHz, 100mV
- 2.3 DCR : 1.2 Ω Max
- 2.4 L.K.: 0.5 uH Max. @ 100KHz, 100mV
- 2.5 Cw/w: 35 pF Max. @ 100KHz, 100mV
- 2.6 Isolation HI-POT: 1500VAC 1mA Max 2Second
- 2.7 Insertion Loss: -1.1 dB Max. @ 1~100MHz
- 2.8 Return Loss: -16.0dB Min @ 1~30MHz
-14.0dB Min @ 60MHz
-10.0dB Min @ 80MHz-100MHz
- 2.9 Coross Talk : -42.0dB Min @ 1~30MHz
-40.0dB Min @ 30-60MHz
-30.0dB Min @ 80~100MHz
- 2.10 CMRR: -35.0dB Min @ 1~30MHz
-30.0dB Min @ 60MHz
-28.0dB Min @ 80~100MHz

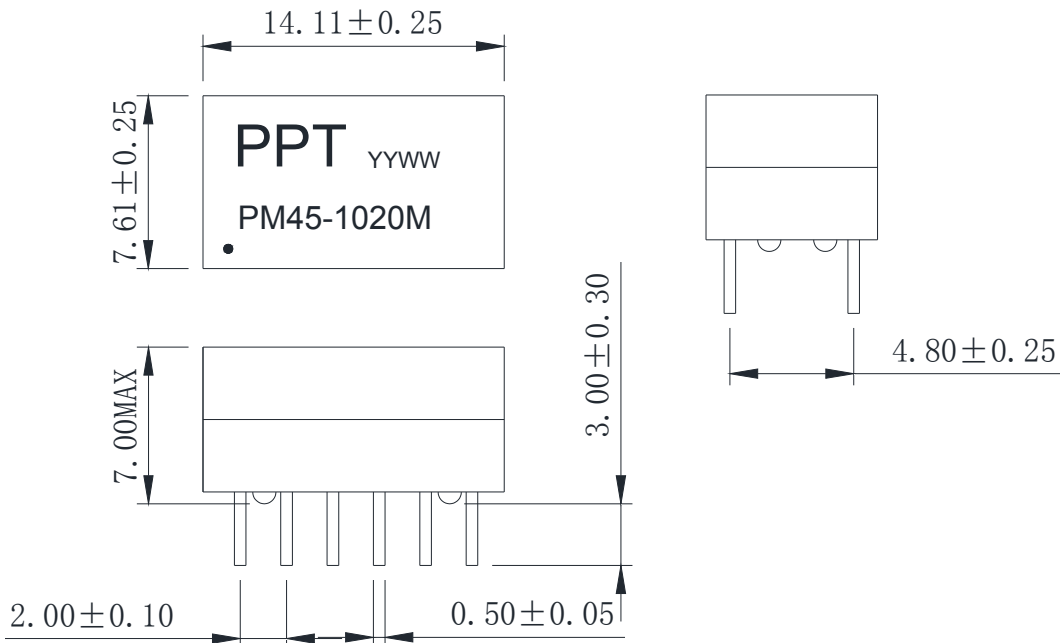


DRAWN BY:	CHECKED BY:	APPROVED BY:	CUSTOMER:
			PART NO. : PM45-1020M
PPT	Hubei Magnetic Electronics Technology Co.,Ltd	REV.: A	
		PAGE: 2 OF 8	

3. SCHEMATICS:



4. DIMENSIONS & MARKING:

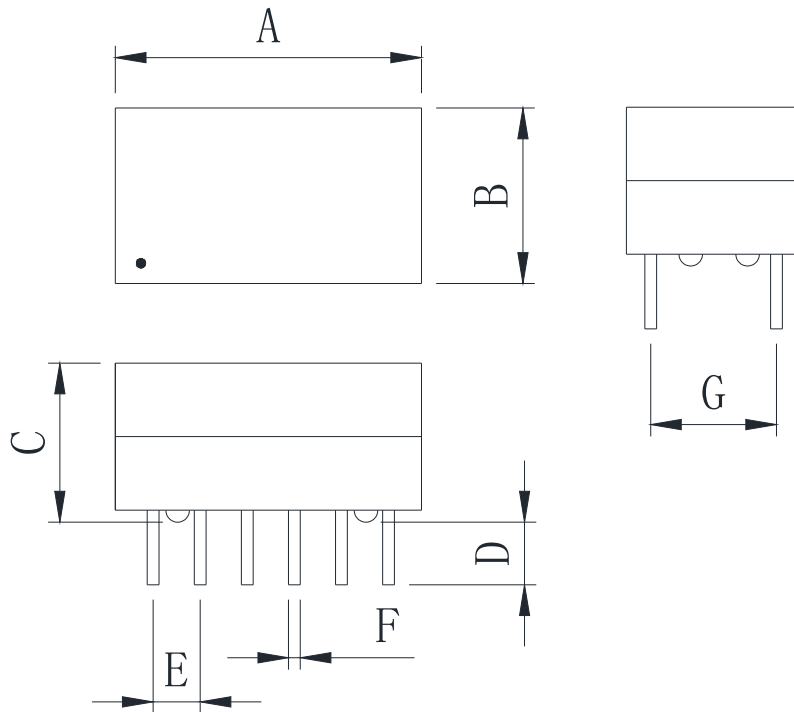


Dimension : mm

Unless otherwise specified , all tolerance are ± 0.25



DRAWN BY:	CHECKED BY:	APPROVED BY:	CUSTOMER:
			PART NO. : PM45-1020M
PPT	Hubei Magnetic Electronics Technology Co.,Ltd		REV.: A
			PAGE: 3 OF 8



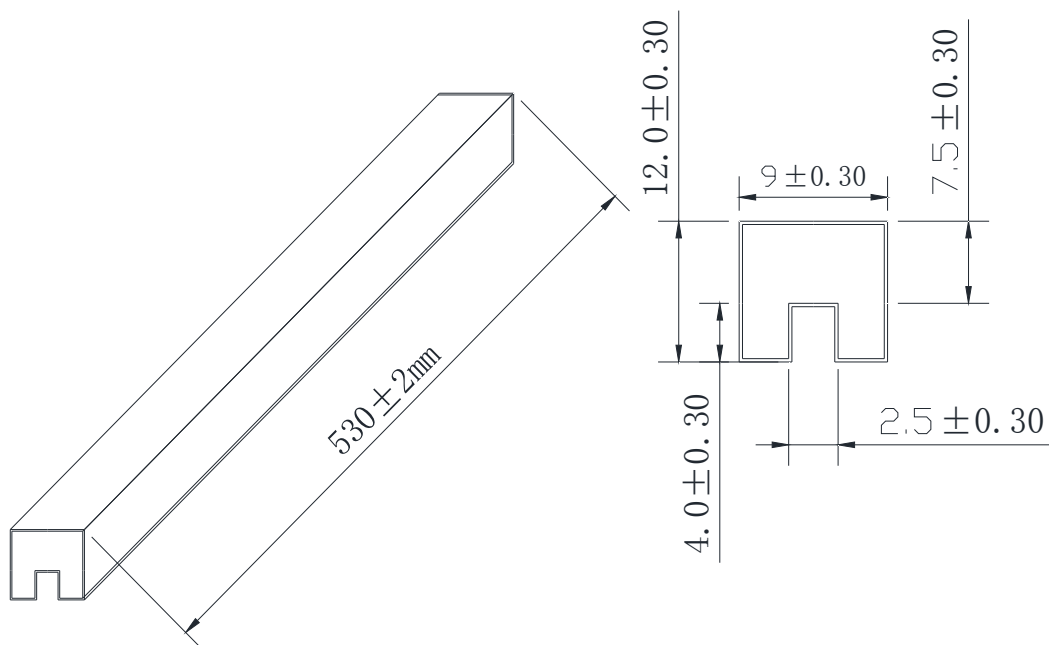
磁创新成品PM45-1020M外观尺寸测量数据

内容 项目	SPEC	1	2	3	4	5	判定	单位
A	14.11±0.25	14.10	14.12	14.10	14.15	14.12	OK	mm
B	7.61±0.25	7.62	7.66	7.61	7.62	7.61	OK	
C	7.00MAX	6.62	6.65	6.68	6.59	6.71	OK	
D	3.00±0.30	3.00	3.01	3.09	3.05	3.07	OK	
E	2.00±0.10	2.02	2.01	1.99	2.03	2.02	OK	
F	0.50±0.05	0.49	0.50	0.48	0.49	0.48	OK	
G	4.80±0.25	4.80	4.85	4.81	4.81	4.82	OK	



DRAWN BY:	CHECKED BY:	APPROVED BY:	CUSTOMER:
			PART NO. : PM45-1020M
PPT	Hubei Magnetic Electronics Technology Co.,Ltd	REV.: A	
		PAGE: 4 OF 8	

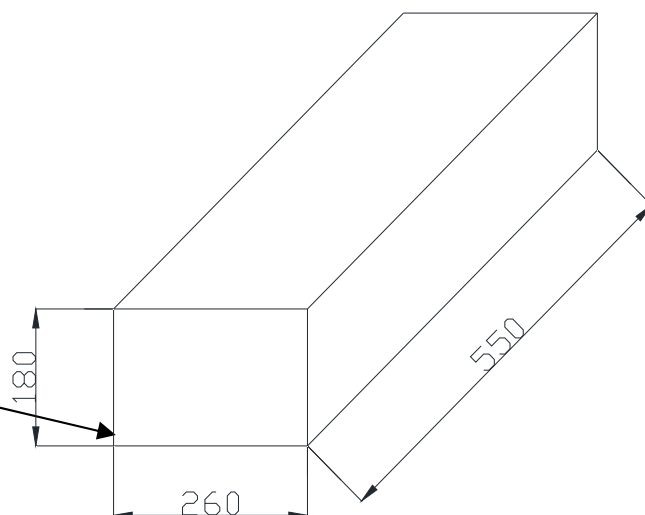
5. Package:



Material:Transparent PVC
 Length:530±2mm
 Thickness:0.5±0.1mm
 Component:36PCS/Tube

General Tolerance:±0.20mm
 Plug Color:White

成品入仓 FINISHED GOODS TO STORE	
产品型号: P/N	
客户代码: Cust.P/N	
随货编号: Lot NO.	
工作单号: W/O.	
数量: Qty	
印字周期: Date Code	PPT
QA确认: QA Audit	FQC
净重: Net Weight	PASS
毛重: Gress Weight	
包装日期: PKG Date	

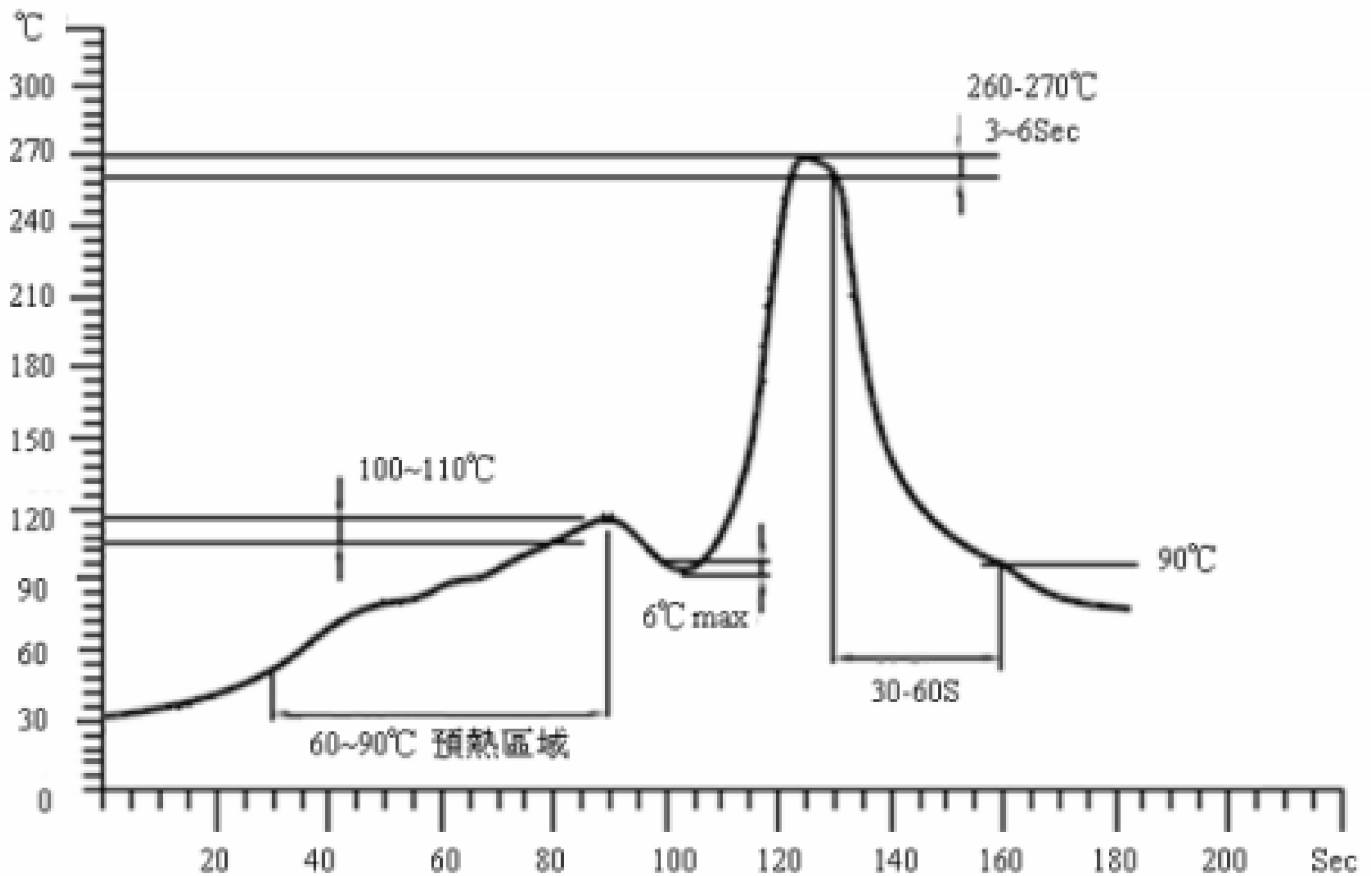


Material:Paper
 Size:550x260x180 mm
 Total Component:10080PCS/BOX



DRAWN BY:	CHECKED BY:	APPROVED BY:	CUSTOMER:
			PART NO. :PM45-1020M
PPT	Hubei Magnetic Electronics Technology Co.,Ltd		REV.: A
			PAGE:5 OF 8

6. Recommended Reflow Soldering Curve:



1. Available for all the through hole parts
2. Soldering Method: Wave Soldering
3. Solder: Sn-0.7Cu
4. The recommended wave soldering curve pictured above.



DRAWN BY:	CHECKED BY:	APPROVED BY:	CUSTOMER:
			PART NO. :PM45-1020M
PPT	Hubei Magnetic Electronics Technology Co.,Ltd		REV.: A
			PAGE: 6 OF 8

PM45-1020M

TEST DATA 7 OF 8

TEST ITEM	OCL (uH)		DCR (Ω)		L. K (uH)		Cw/w		HI-POT	T/R		Insertion Loss	
	100KHz, 0. 1V, 8mA DC				100KHz, 0. 1V		100KHz, 0. 1V		1500VAC	100KHz, 0. 1V		TX1	RX1
	350uH Min.		1. 2 Ω Max.		0. 5uH Max.		35pF Max.		1mA 2S	1CT:1CT±5%		1-100MHz	
	Pin(1-3)	Pin(6-8)	Pin(1-3)	Pin(6-8)	Pin(16-14)	Pin(11-9)	Pin(2-11)	Pin(5-8)	Pri TO Sec	TX	RX	--1.1dB MAX.	
1	570	584	0. 71	0. 72	0. 22	0. 24	26	25	PASS	PASS	PASS	-0. 58	-0. 61
2	565	574	0. 69	0. 70	0. 26	0. 25	24	27	PASS	PASS	PASS	-0. 55	-0. 57
3	582	591	0. 78	0. 74	0. 25	0. 24	26	25	PASS	PASS	PASS	-0. 56	-0. 58
4	576	580	0. 76	0. 75	0. 23	0. 25	26	23	PASS	PASS	PASS	-0. 53	-0. 59
5	597	578	0. 78	0. 77	0. 24	0. 25	27	26	PASS	PASS	PASS	-0. 59	-0. 63
AVERAGE	578. 00	581. 40	0. 74	0. 74	0. 24	0. 25	25. 80	25. 20	N/A	N/A	N/A	-0. 56	-0. 60
CPK	6. 13	11. 93	2. 05	3. 26	5. 48	15. 46	-0. 24	-0. 04	N/A	N/A	N/A	7. 51	6. 98
MIN	565. 00	574. 00	0. 69	0. 70	0. 22	0. 24	24. 00	23. 00	N/A	N/A	N/A	-0. 59	-0. 63
MAX	597. 00	591. 00	0. 78	0. 77	0. 26	0. 25	27. 00	27. 00	N/A	N/A	N/A	-0. 53	-0. 57
MAX-MIN	32. 00	17. 00	0. 09	0. 07	0. 04	0. 01	3. 00	4. 00	N/A	N/A	N/A	0. 06	0. 06

PREPARED BY:

CHECKED BY:

APPROVED BY:

PM45-1020M

TEST DATA

8 OF 8

TEST ITEM	Return Loss						Cross talk						CMRR					
	TX1			RX1			TX1&RX1			TX1&RX1			TX1			RX1		
	1-30MHz	60MHz	80-100MHz	1-30MHz	60MHz	80-100MHz	1-30MHz	30-60MHz	80-100MHz	1-30MHz	30-60MHz	80-100MHz	1-30MHz	60MHz	80-100MHz	1-30MHz	60MHz	80-100MHz
	-16.0dB Min.	-14.0dB Min.	-10.0dB Min.	-16.0dB Min.	-14.0dB Min.	-12.0dB Min.	-42.0dB Min.	-40.0dB Min.	-30.0dB Min.	-42.0dB Min.	-40.0dB Min.	-30.0dB Min.	-35.0dB Min.	-30.0dB Min.	-28.0dB Min.	-35.0dB Min.	-30.0dB Min.	-28.0dB Min.
1	-25.43	-21.68	-17.72	-26.74	-23.57	-16.86	-77.41	-68.34	-59.81	-76.82	-67.36	-60.88	-57.16	-54.83	-50.63	-57.97	-53.86	-59.43
2	-25.75	-21.99	-17.91	-26.28	-22.61	-17.29	-78.64	-66.94	-60.20	-73.45	-65.73	-60.42	-58.35	-55.39	-50.58	-56.99	-54.46	-58.76
3	-26.24	-21.87	-18.24	-26.64	-23.05	-17.14	-78.35	-67.85	-60.36	-75.62	-67.82	-62.34	-59.41	-54.35	-52.59	-57.48	-54.45	-59.54
4	-24.86	-22.37	-18.15	-26.58	-22.83	-17.67	-78.18	-67.48	-61.52	-72.67	-66.36	-60.59	-58.87	-55.95	-51.98	-58.48	-55.86	-59.54
5	-25.69	-22.54	-18.01	-26.46	-22.47	-16.97	-77.47	-68.39	-61.62	-75.66	-67.24	-61.29	-57.21	-54.78	-52.45	-56.98	-55.56	-59.66
MEAN	-25.59	-22.09	-18.01	-26.54	-22.91	-17.19	-78.01	-67.80	-60.70	-79.25	-65.75	-61.10	-58.20	-55.06	-51.65	-57.58	-54.84	-59.39
CPK	5.02	5.65	5.73	16.06	5.46	2.83	21.98	15.21	9.25	7.22	10.20	10.06	6.07	8.10	3.97	9.04	5.90	17.99
MIN	-26.24	-22.54	-18.24	-26.74	-23.57	-17.67	-78.64	-68.39	-61.62	-76.82	-67.82	-62.34	-59.41	-55.95	-52.59	-58.48	-55.86	-59.66
MAX	-24.86	-21.68	-17.72	-26.28	-22.47	-16.86	-77.41	-66.94	-59.81	-72.67	-65.73	-60.42	-57.16	-54.35	-50.58	-56.98	-53.86	-58.76
MAX-MIN	1.38	0.86	0.52	0.46	1.10	0.81	1.23	1.45	1.81	4.15	2.09	1.92	2.25	1.60	2.01	1.50	2.00	0.90
PREPARED BY:						CHECKED BY:						APPROVED BY:						