

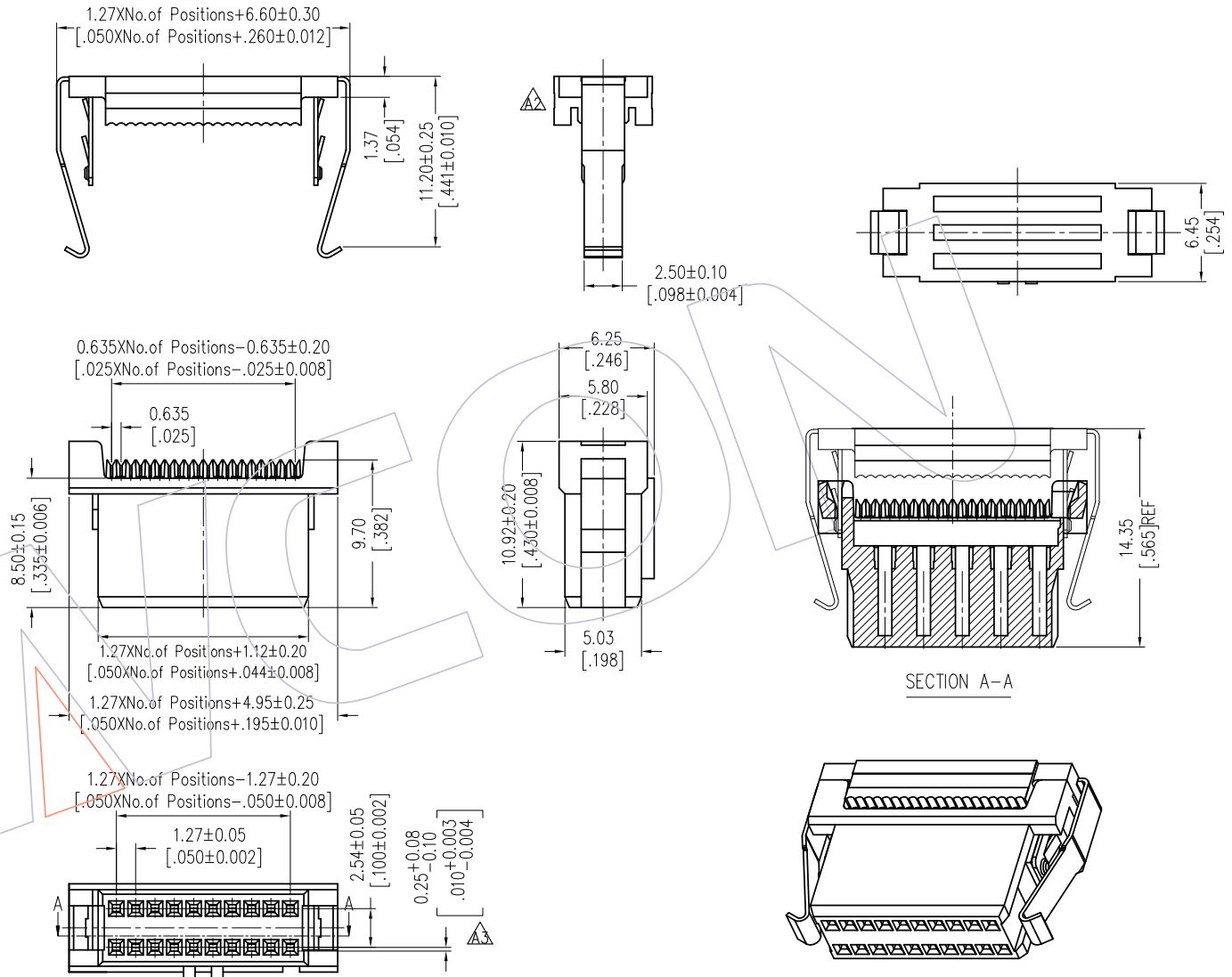
NOTES:
 Current Rating: 1.0AMP
 Contact Resistance: 30mΩ max
 Withstand Voltage: 500V AC/DC
 Insulation Resistance: 1000MΩ min
 Operation Temperature: -40℃ to +105℃

Contact Material: Phosphor Bronze
 Contact plating: Au Or Sn over Ni
 Insulator Material: Body: LCP+30%G.F UL94V-0
 Cover: PBT+30%G.F UL94V-0

Ordering Information

5243-XX Y P XX B X 01

No. of Pins Contact Plating Insulator Shape
 S0=Gold Flash/Tin W: With Bump
 S3=10u"Gold/Tin N: Without Bump
 S4=15u"Gold/Tin
 S5=30u"Gold/Tin
 SN=Tin



Item	Pitch	Mating
Standard	1.27X2.54	3144
Alternate		

REV	DATE	MODIFICATION DESCRIPTION	CHANGE	OPERATION	DRAW	DATE	SCALE	FIT	PART NO.
A3	2019/10/23	Modify	△	OPERATION	DRAW	2019/10/23	UNIT	mm	5243-XXYPXXBX01
A2	2019/03/21	Modify	△	x.x ±0.40	SU		SIZE	A4	
A1	2013/08/12	Modify the Plated Gold/Ni to Gold/Tin	△	x.xx ±0.25	CHECK		SHEET	1/1	TITLE:
A0	2012/10/10	NEW	---	x.xxx ±0.15	APPROVE		PROJ.	⊙	1.27*2.54mm IDC WITH LATCH
				Angle ± 3°					Customer NO.
				DIM TOL					

WCON
 Http: www.wcon.com
 WCON-Dongguan WCON-Kunshan
 Tel: +86 769 85358920 Tel: +86 512 57468408
 Fax: +86 769 85358915 Fax: +86 512 57468468
 E-mail: sales@wcon.com E-mail: salesks@wcon.com