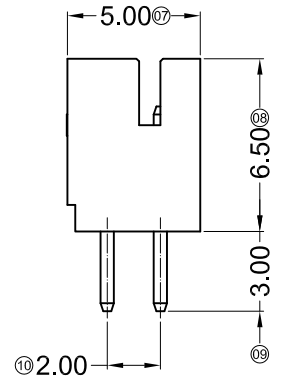
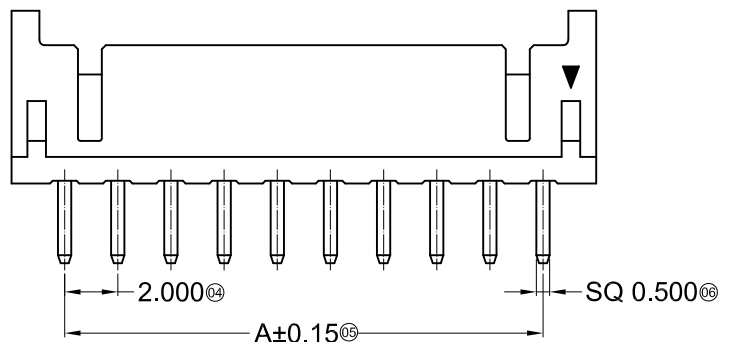


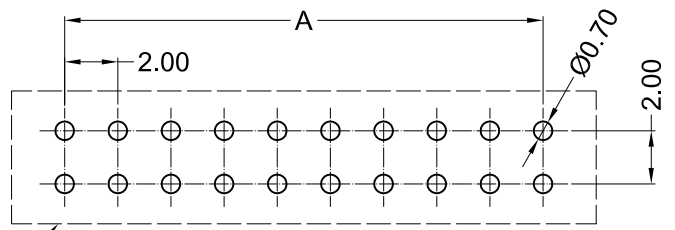
Specifications :

- Voltage rating: 250V AC / DC
- Current rating: 3A AC / DC
- Withstanding voltage: 800V AC/minute
- Temperature range: -25°C~+85°C
- Insulation resistance: ≥1000MΩ
- Contact resistance: ≤10mΩ
- After environmental testing: ≤20mΩ



X2026 W V X-2*XX X -N0 XXX XX
 ① ② ③ ④ ⑤ ⑥ ⑦ ⑧ ⑨

- ① Series No.
- ② Category: W-WAFER
- ③ Welding Board Angle: V-Straight 180°
- ④ Welding Way: Blank-DIP
- ⑤ Row No.-Pin No.: 2*XX-2*02P~2*22P
- ⑥ Plug the Pin & Special No.: HF-Halogen Free
- ⑦ Material: N0-PA66 94V-0
- ⑧ Plating Category: SN-Bright Tin Plating; V01-Gold Flash
- ⑨ Color : Blank-Natural Color ; BK-Black;WH-White



Recommended P.C.B layout
 General Tolerance±0.05

Poles	Dimensions (mm)			Poles	Dimensions (mm)			Poles	Dimensions (mm)		
	A	B	C		A	B	C		A	B	C
2*02	2.00	6.00	4.80	2*09	16.00	20.00	18.80	2*16	30.00	34.00	32.80
2*03	4.00	8.00	6.80	2*10	18.00	22.00	20.80	2*17	32.00	36.00	34.80
2*04	6.00	10.00	8.80	2*11	20.00	24.00	22.80	2*18	34.00	38.00	36.80
2*05	8.00	12.00	10.80	2*12	22.00	26.00	24.80	2*19	36.00	40.00	38.80
2*06	10.00	14.00	12.80	2*13	24.00	28.00	26.80	2*20	38.00	42.00	40.80
2*07	12.00	16.00	14.80	2*14	26.00	30.00	28.80	2*21	40.00	44.00	42.80
2*08	14.00	18.00	16.80	2*15	28.00	32.00	30.80	2*22	42.00	46.00	44.80

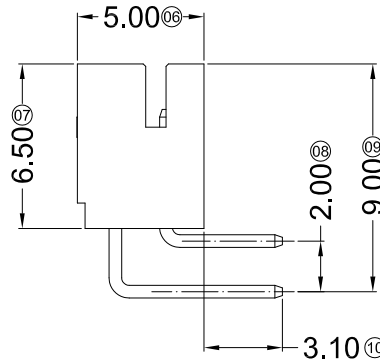
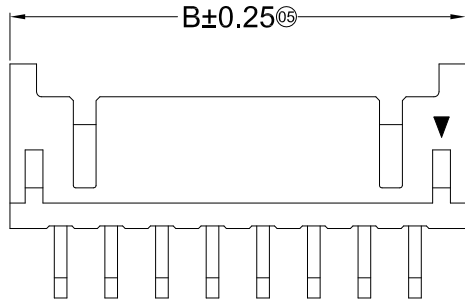
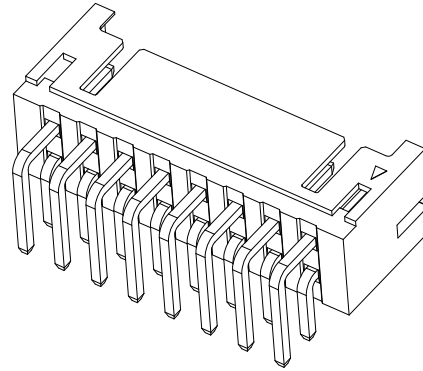
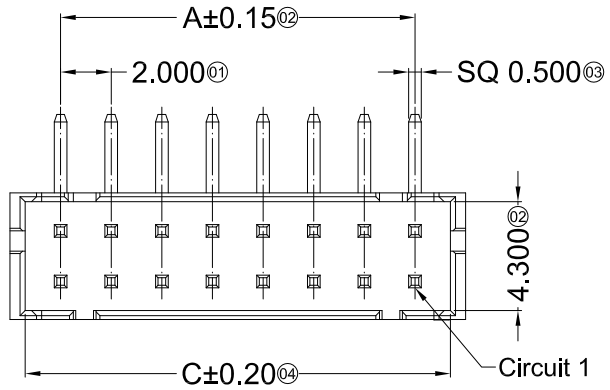
X2026WV-2*XXHF-N0SNBK	PA66 UL 94V-0 Black (Halogen Free)	Brass	Tin-Plated	X2026H
X2026WV-2*XX-N0SNWH	PA66 UL 94V-0 White		Tin-Plated	
X2026WV-2*XX-N0V01	PA66 UL 94V-0		Gold-Flash	
X2026WV-2*XX-N0SN			Tin-Plated	
PART NO	Material	Material(Pln)	Finish(Pln)	Suitable XKB Terminal

For and on behalf of
XKB INDUSTRIAL PRECISION CO., LIMITED
 香港星坤工業精密有限公司

△ X					ANGULAR	±5°
△ X					L ≤ 4	±0.2
△ X					4 < L ≤ 16	±0.3
△ X					16 < L ≤ 63	±0.4
MARK	DESCRIPTION	DATE	REVISED	APPROVED	L > 63	±0.5
REVISIONS					UNSPECIFIED TOLERANCES	

DSND	DATE	SCALE: N/A	MODEL TYPE: X2026WV-2*XX-N0XXXX
DWN	DATE	VIEW:	PART NO.:
CHKD	DATE	UNIT: mm	2.00 mm Crimp Style Connectors
APPD	DATE	SIZE: A4	DWG NO.:
			WEIGHT: 1.0g
			SHEET: 1/1
			REVISION: A0

XKB INDUSTRIAL PRECISION CO., LIMITED



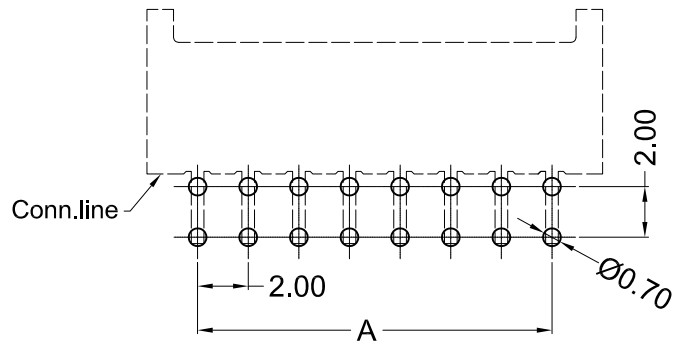
Specifications :

- Voltage rating: 250V AC / DC
- Current rating: 3A AC / DC
- Withstanding voltage: 800V AC/minute
- Temperature range: -25°C~+85°C
- Insulation resistance: ≥1000MΩ
- Contact resistance: ≤10mΩ
- After environmental testing: ≤20mΩ

X2026 W R X-2*XX S -N0 SN XX

① ② ③ ④ ⑤ ⑥ ⑦ ⑧ ⑨

- ① Series No.
- ② Category: W-WAFER
- ③ Welding Board Angle: R-Right Angle 90°
- ④ Welding Way: Blank-DIP
- ⑤ Row No.-Pin No.: 2*XX-2*02P~2*22P
- ⑥ Plug the Pin & Special No.:
S-Without Positioning baffles on both side
DIP=3.10mm
- ⑦ Material: N0-PA66 94V-0
- ⑧ Plating Category: SN-Bright Tin Plating;
- ⑨ Color : Blank-Natural Color



Recommended P.C.B Layout

General Tolerance±0.05

For and on behalf of
XKB INDUSTRIAL PRECISION CO., LIMITED
香港星坤工業精密有限公司

Poles	Dimensions (mm)			Poles	Dimensions (mm)			Poles	Dimensions (mm)		
	A	B	C		A	B	C		A	B	C
2*02	2.00	6.00	4.80	2*09	16.00	20.00	18.80	2*16	30.00	34.00	32.80
2*03	4.00	8.00	6.80	2*10	18.00	22.00	20.80	2*17	32.00	36.00	34.80
2*04	6.00	10.00	8.80	2*11	20.00	24.00	22.80	2*18	34.00	38.00	36.80
2*05	8.00	12.00	10.80	2*12	22.00	26.00	24.80	2*19	36.00	40.00	38.80
2*06	10.00	14.00	12.80	2*13	24.00	28.00	26.80	2*20	38.00	42.00	40.80
2*07	12.00	16.00	14.80	2*14	26.00	30.00	28.80	2*21	40.00	44.00	42.80
2*08	14.00	18.00	16.80	2*15	28.00	32.00	30.80	2*22	42.00	46.00	44.80

X2026WR-2*XXS-N0SN	PA66 UL 94V-0	Brass	Tin-Plated	X2026H
PART NO	Material	Material(Pln)	Finish(Pln)	Suitable XKB Terminal

DSND	DATE	SCALE: N/A	MODEL TYPE: X2026WR-2*XXS-N0SN
DWN	DATE	VIEW:	PART NO.: 2.00 mm Crimp Style Connectors
CHKD	DATE	UNIT: mm	DWG NO.:
APPD	DATE	SIZE: A4	
			WEIGHT 1.0g
			SHEET 1/1
			REVISION A0

△ X				ANGULAR	±5°
△ X				L ≤ 4	±0.2
△ X				4 < L ≤ 16	±0.3
△ X				16 < L ≤ 63	±0.4
MARK	DESCRIPTION	DATE	REVISED	APPROVED	L > 63
					UNSPECIFIED TOLERANCES
					XKB INDUSTRIAL PRECISION CO., LIMITED

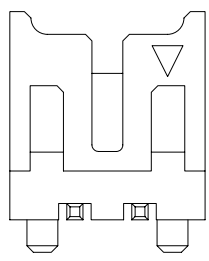
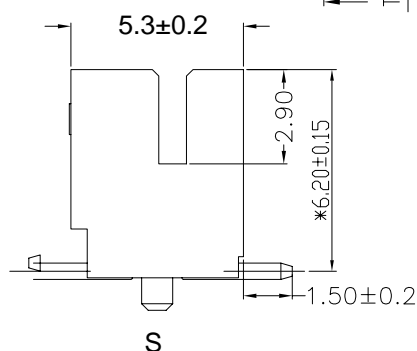
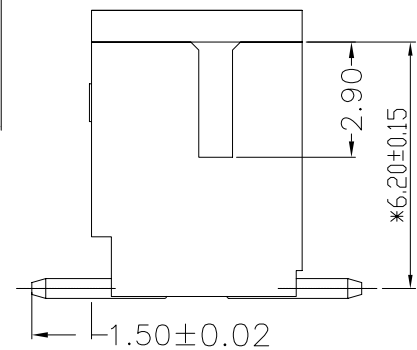
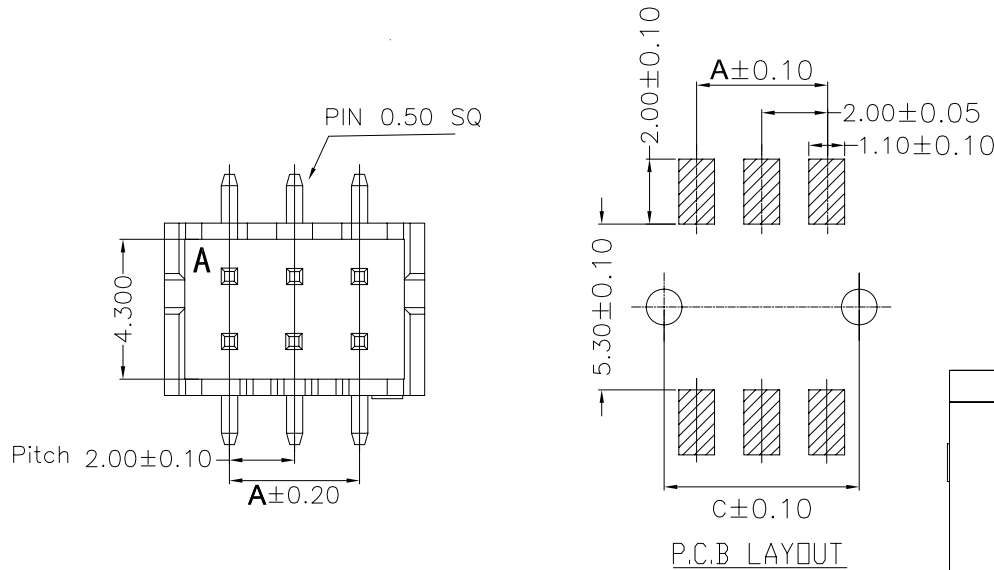
Specifications :

- Voltage rating: 250V AC / DC
- Current rating: 3A AC / DC
- Withstanding voltage: 800V AC/minute
- Temperature range: -25°C~+85°C
- Insulation resistance: ≥1000MΩ
- Contact resistance: ≤10mΩ
- After environmental testing: ≤20mΩ

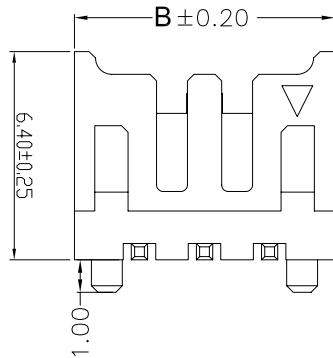
X2026 W V S-2*XX S -9T SN XX
 ① ② ③ ④ ⑤ ⑥ ⑦ ⑧ ⑨

- ① Series No.
- ② Category: W-WAFER
- ③ Welding Board Angle: V-Stright 180°
- ④ Welding Way: S-SMT
- ⑤ Row No.-Pin No.: 2*XX-2*02P~2*20P
- ⑥ S-With the column
- ⑦ Material: 9T-PA9T 94V-0;
- ⑧ Plating Category: SN-Bright tin plating
- ⑨ Color : Blank-Natural Color

Poles	Dimension(mm)		
	A	B	C
2*02	2.00	6.00	4.00
2*03	4.00	8.00	6.00
2*04	6.00	10.00	8.00
2*05	8.00	12.00	10.00
2*06	10.00	14.00	12.00
2*07	12.00	16.00	14.00
2*08	14.00	18.00	16.00
2*09	16.00	20.00	18.00
2*10	18.00	22.00	20.00
2*11	20.00	24.00	22.00
2*12	22.00	26.00	24.00
2*13	24.00	28.00	26.00
2*14	26.00	30.00	28.00
2*15	28.00	32.00	30.00
2*16	30.00	34.00	32.00
2*17	32.00	36.00	34.00
2*18	34.00	38.00	36.00
2*19	36.00	40.00	38.00



2P 视图



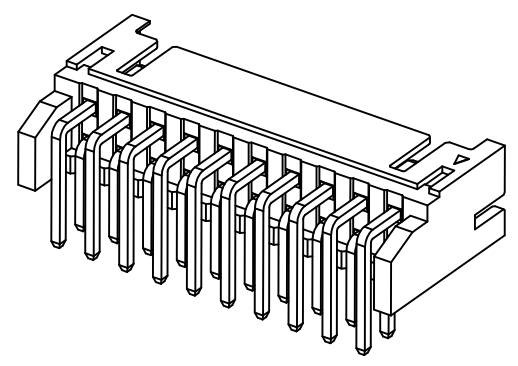
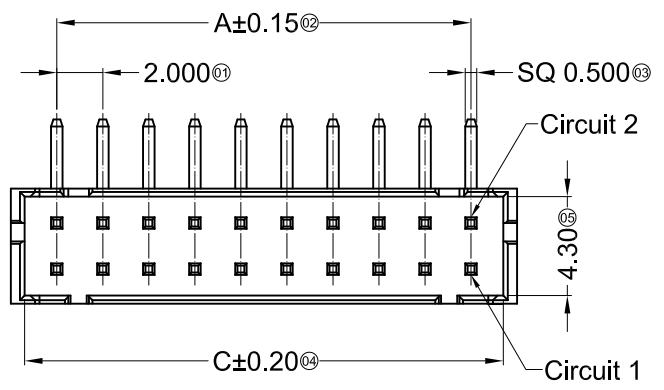
X2026WVS-2xXXS-9TSN	PA9T UL 94V-0	Brass	Tin-Plated	X2026H-A
X2026WVS-2xXX-9TSN	PA9T UL 94V-0	Brass	TIn-Plated	X2026H-A
PART NO	Material	Material(PIn)	Flnsh(PIn)	Suitable XKB Terminal

For and on behalf of
XKB INDUSTRIAL PRECISION CO., LIMITED
 香港星坤工業精密有限公司

MARK	DESCRIPTION	DATE	REVISED	APPROVED	UNSPECIFIED TOLERANCES
△ X					ANGULAR ±5°
△ X					L ≤ 4 ±0.2
△ X					4 < L ≤ 16 ±0.3
△ X					16 < L ≤ 63 ±0.4
MARK					L > 63 ±0.5

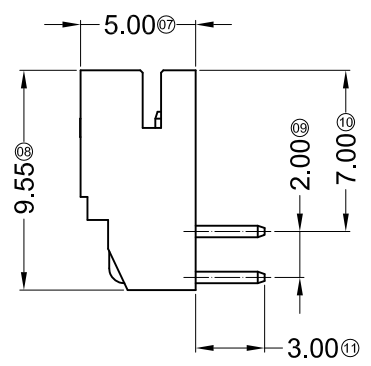
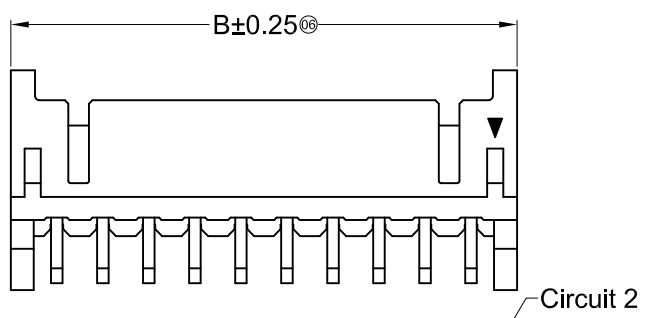
DSND	DATE	SCALE: N/A	MODEL TYPE: X2026WVS-2xXXS-9TSXX
DWN	DATE	VIEW:	PART NO.:
CHKD	DATE	UNIT: mm	2.00mm Crimp Style Connectors
APPD	DATE	SIZE: A4	DWG NO.: X2026WVS-2xXXS-9TSXX
XKB INDUSTRIAL PRECISION CO., LIMITED			WEIGHT 1.0g
			SHEET 1/1
			REVISION A0

REVISIONS
 Authorized Signature(s)



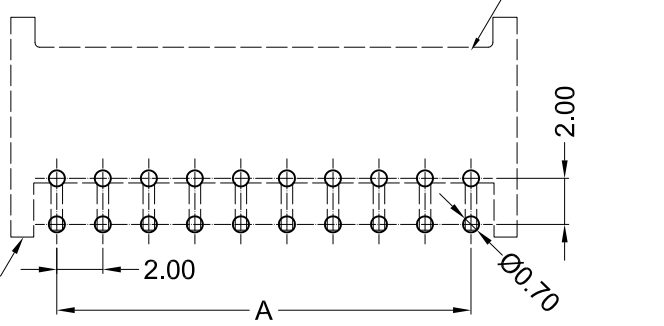
Specifications :

- Voltage rating: 250V AC / DC
- Current rating: 3A AC / DC
- Withstanding voltage: 800V AC/minute
- Temperature range: -25°C~+85°C
- Insulation resistance: ≥1000MΩ
- Contact resistance: ≤10mΩ
- After environmental testing: ≤20mΩ



X2026 W R X-2*XX X -N0 XXX XX
 ① ② ③ ④ ⑤ ⑥ ⑦ ⑧ ⑨

- ① Series No.
- ② Category: W-WAFER
- ③ Welding Board Angle: R-Right Angle 90°
- ④ Welding Way: Blank-DIP
- ⑤ Row No.-Pin No.: 2*XX-2*02P~2*22P
- ⑥ Plug the Pin & Special No.:
- ⑦ Material: N0-PA66 94V-0
- ⑧ Plating Category: SN-Bright Tin Plating; V01-All Gold Flash
- ⑨ Color : Blank-Natural Color



Poles	Dimensions (mm)			Poles	Dimensions (mm)			Poles	Dimensions (mm)		
	A	B	C		A	B	C		A	B	C
2*02	2.00	6.00	4.80	2*09	16.00	20.00	18.80	2*16	30.00	34.00	32.80
2*03	4.00	8.00	6.80	2*10	18.00	22.00	20.80	2*17	32.00	36.00	34.80
2*04	6.00	10.00	8.80	2*11	20.00	24.00	22.80	2*18	34.00	38.00	36.80
2*05	8.00	12.00	10.80	2*12	22.00	26.00	24.80	2*19	36.00	40.00	38.80
2*06	10.00	14.00	12.80	2*13	24.00	28.00	26.80	2*20	38.00	42.00	40.80
2*07	12.00	16.00	14.80	2*14	26.00	30.00	28.80	2*21	40.00	44.00	42.80
2*08	14.00	18.00	16.80	2*15	28.00	32.00	30.80	2*22	42.00	46.00	44.80

Recommended P.C.B Layout
 General Tolerance±0.05

X2026WR-2*XX-N0V01	PA66 UL 94V-0	Brass	Gold-Flash	X2026H
X2026WR-2*XX-N0SN			Tin-Plated	
PART NO	Material	Material(Pin)	Finish(Pin)	Suitable XKB Terminal

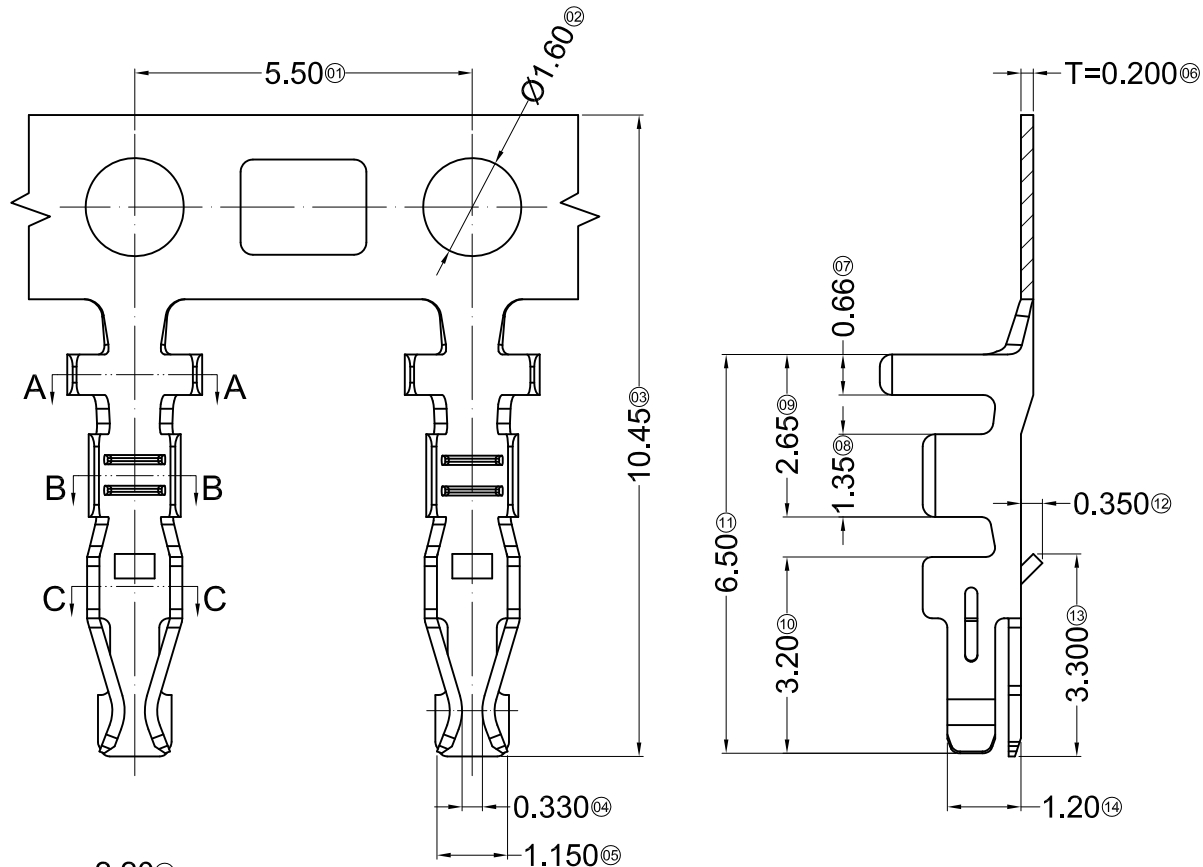
For and on behalf of
XKB INDUSTRIAL PRECISION CO., LIMITED
 香港星坤工業精密有限公司

△ X					ANGULAR	±5°
△ X					L ≤ 4	±0.2
△ X					4 < L ≤ 16	±0.3
△ X					16 < L ≤ 63	±0.4
MARK	DESCRIPTION	DATE	REVISED	APPROVED	L > 63	±0.5
					UNSPECIFIED TOLERANCES	

DSND	DATE	SCALE: N/A	MODEL TYPE: X2026WR-2*XX-N0XXX
DWN	DATE	VIEW:	PART NO.:
CHKD	DATE	UNIT: mm	2.00mm Crimp Style Connectors
APPD	DATE	SIZE: A4	DWG NO.:
			WEIGHT: 1.0g
			SHEET: 1/1
			REVISION: A0

XKB INDUSTRIAL PRECISION CO., LIMITED

Authorized Signature(s)

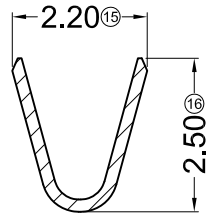
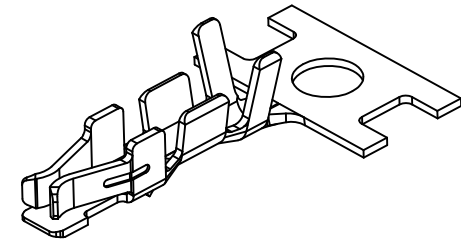


Specifications :

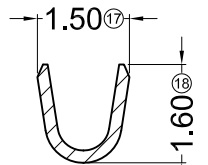
- Voltage rating: 250V AC / DC
- Current rating: 3A AC / DC
- Withstanding voltage: 800V AC/minute
- Temperature range: -25°C~+85°C
- Insulation resistance: ≥1000MΩ
- Contact resistance: ≤10mΩ
- After environmental testing: ≤20mΩ

X2026 T X-P XXX X - L
① ② ③ ④ ⑤ ⑥ ⑦

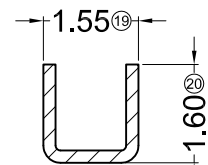
- ① Series Number
- ② Category: T-terminal
- ③ Shape: Blank-ordinary
- ④ Material: P-Phosphor bronze
- ⑤ Plating style: SN-Bright tin plating ; V01-Gold Flash
G03-Gold 3u" Plated Contact
- ⑥ Plating method: Blank-Stamping before plating
B-Plating before stamping
- ⑦ Mold No./Mark/Special No.: L- Loose



SECTION: A-A
SCALE: 1:1



SECTION: B-B
SCALE: 1:1



SECTION: C-C
SCALE: 1:1

X2026T-PG03-L				Stamping Before Plating: 30u" MIN. Ni; Contact Area Gold: 3u" Min.	
X2026T-PV01-L	Phosphor Bronze	AWG#22-28	1.50mm(Max)	Stamping Before Plating: 30u" MIN. Ni; Whole Gold Flash	X2026H, 2026H-A
X2026T-PSNB-L				Plating Before Stamping: 10u" Ni; 40-60u"Sn	
X2026T-PSNL-L				Stamping Before Plating: 30u" MIN. Ni; 70u" MIN. Sn	
PART NO	Material	Wire Range	Insulation O.D.	Finish	Suitable XKB Terminal

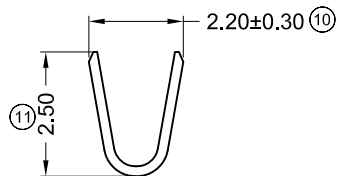
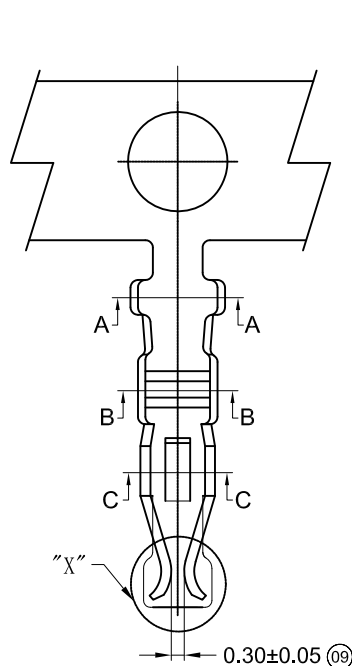
For and on behalf of
XKB INDUSTRIAL PRECISION CO., LIMITED
香港星坤工業精密有限公司

△ X					ANGULAR	± 5°
△ X					L ≤ 4	± 0.2
△ X					4 < L ≤ 16	± 0.3
△ X					16 < L ≤ 63	± 0.4
MARK					L > 63	± 0.5
	DESCRIPTION	DATE	REVISED	APPROVED	UNSPECIFIED TOLERANCES	

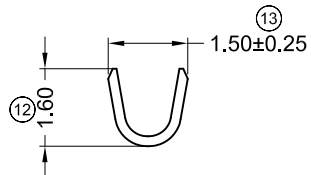
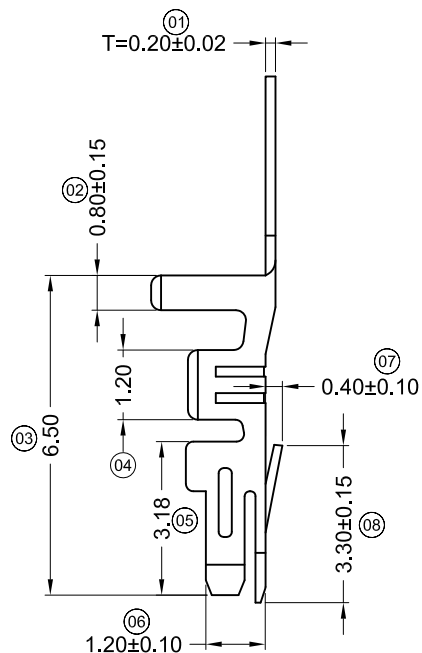
DSND		DATE		SCALE: N/A	MODEL TYPE: X2026T-PXXXX-L	
DWN		DATE		VIEW:	PART NO.: 2.00mm Crimp Style Connectors	
CHKD		DATE		UNIT: mm	DWG NO.:	
APPD		DATE		SIZE: A4		
				WEIGHT	SHEET	REVISION
				1.0g	1/1	A0

REVISIONS
Authorized Signature(s)

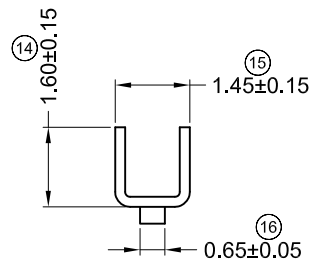
XKB INDUSTRIAL PRECISION CO., LIMITED



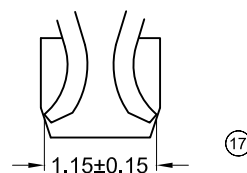
SECTION: A-A
SCALE: 1:1



SECTION: B-B
SCALE: 1:1



SECTION: C-C
SCALE: 1:1



DETAIL "X"
SCALE: 1:1

Specifications :

- Voltage rating: 250V AC / DC
- Current rating: 3A AC / DC
- Withstanding voltage: 1000V AC/minute
- Temperature range: -25°C~+85°C
- Insulation resistance: ≥1000MΩ
- Contact resistance: ≤30mΩ
- After environmental testing: ≤50mΩ

X2026 T X-P SN X-A

① ② ③ ④ ⑤ ⑥ ⑦

- ① Series No.
- ② Category: T-Terminal
- ③ Appearance type: Blank-Ordinary
- ④ Material: P-Phosphor bronze
B-Brass
- ⑤ Plating Style: G**-Gold Plated Contact
V**- All Gold-Plated
01-Gold Flash 02-2u" 03-3u"
05-5u" 10-10u" 15-15u"
SN-Bright Tin Plating (70-120u")
SN1-Bright Tin Plating (120u" Min).
0-No Plating Material
SW- Fog Tin Plating
- ⑥ Plating Method : Blank-Stamping before Plating
B-Plating before stamping
- ⑦ Mold No./Mark/Special No.
A-Mating With Lock Housing

X2026T-PSNB-A	Phosphor Bronze	AWG#22-28	1.50mm(Max)	Plating Before Stamping:10~30u" Ni;40~60u"Sn	X2026H-B..X2026H-C..X2026H-D	10,000Pcs
X2026T-PSN-A				Stamping before plating:30~50u" Ni;70~120u"Sn		
PART NO	Material	Wire Range	Insulation O.D.	Finish	Suitable XKB	Q'ty/Reel

For and on behalf of
XKB INDUSTRIAL PRECISION CO., LIMITED
香港星坤工業精密有限公司

Authorized Signature(s)

△ X					ANGULAR	±5°	DSND		DATE	SCALE: N/A	MODEL TYPE: X2026T-PSN-A	
△ X					L ≤ 4	±0.2	DWN		DATE	VIEW:	PART NO.:	
△ X					4 < L ≤ 16	±0.3	CHKD		DATE	UNIT: mm	2.00 mm Crimp Style Connector	
△ X					16 < L ≤ 63	±0.4	APPD		DATE	SIZE: A4	DWG NO.:	
MARK	DESCRIPTION	DATE	REVISED	APPROVED	L > 63	±0.5						
				UNSPECIFIED TOLERANCES			XKB INDUSTRIAL PRECISION CO., LIMITED			WEIGHT	SHEET	REVISION
										1.0g	1/1	A0

1 2 3 4 5 6 7 8

A

B

C

D

E

F

A

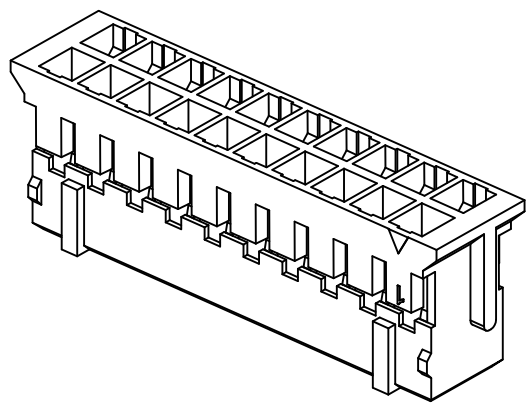
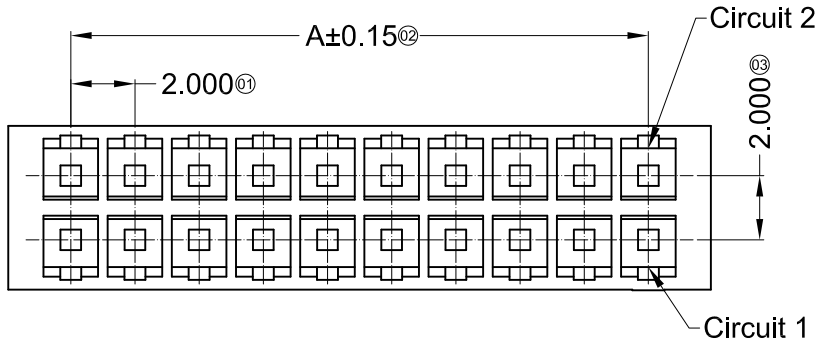
B

C

D

E

F



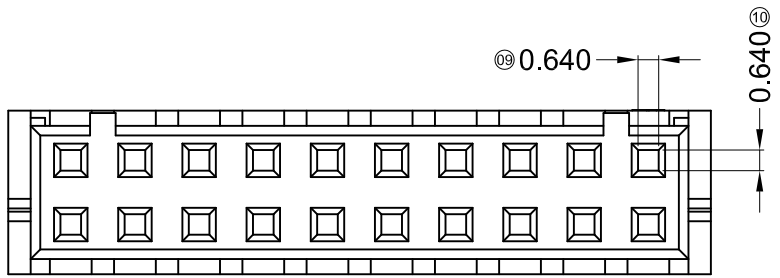
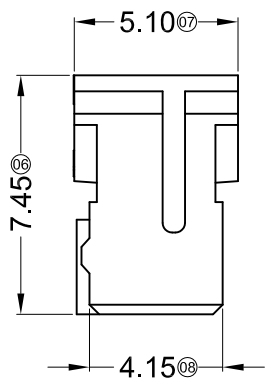
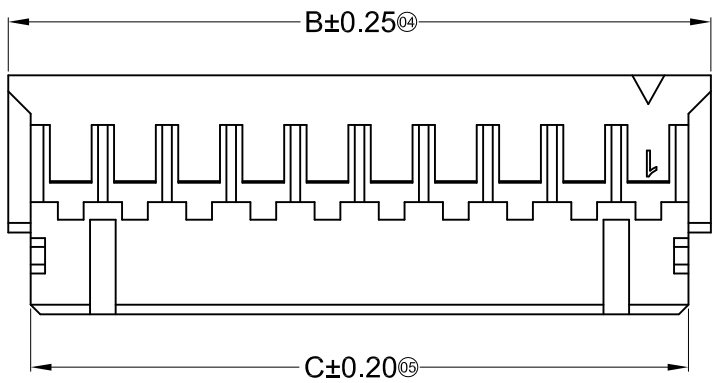
■ Specifications :

- Voltage rating: 250V AC / DC
- Current rating: 3A AC / DC
- Withstanding voltage: 800V AC/minute
- Temperature range: -25°C~+85°C
- Insulation resistance: ≥1000MΩ
- Contact resistance: ≤10mΩ
- After environmental testing: ≤20mΩ

X2026 H X-2*XX HF-N0 XX

① ② ③ ④ ⑤ ⑥ ⑦

- ① Series No.
- ② Category: H-HSG
- ③ Appearance type: Blank-Ordinary
- ④ Row No.-Pin No.: 2*XX-2*02P~2*22P
- ⑤ Plug the Pin & special No.:
HF-Halogen Free
- ⑥ Material: N0-PA66 94V-0
- ⑦ Color: Blank-Natural Color
Bk-Black



Poles	Dimensions (mm)			Poles	Dimensions (mm)		
	A	B	C		A	B	C
2*02	2.00	5.90	4.50	2*13	24.00	27.90	26.50
2*03	4.00	7.90	6.50	2*14	26.00	29.90	28.50
2*04	6.00	9.90	8.50	2*15	28.00	31.90	30.50
2*05	8.00	11.90	10.50	2*16	30.00	33.90	32.50
2*06	10.00	13.90	12.50	2*17	32.00	35.90	34.50
2*07	12.00	15.90	14.50	2*18	34.00	37.90	36.50
2*08	14.00	17.90	16.50	2*19	36.00	39.90	38.50
2*09	16.00	19.90	18.50	2*20	38.00	41.90	40.50
2*10	18.00	21.90	20.50	2*21	40.00	43.90	42.50
2*11	20.00	23.90	22.50	2*22	42.00	45.90	44.50
2*12	22.00	25.90	24.50				

X2026H-2*XX-N0BK	Nylon 66 UL 94V-0 Black	X2026T	X2026W
X2026H-2*XXHF-N0	Nylon 66 UL 94V-0 Halogen Free		
X2026H-2*XX-N0	Nylon 66 UL 94V-0		
PART NO	Material	Suitable XKB Terminal	Suitable XKB Terminal

For and on behalf of
XKB INDUSTRIAL PRECISION CO., LIMITED
 香港星坤工業精密有限公司

△ X					ANGULAR	±5°
△ X					L ≤ 4	±0.2
△ X					4 < L ≤ 16	±0.3
△ X					16 < L ≤ 63	±0.4
MARK	DESCRIPTION	DATE	REVISED	APPROVED	L > 63	±0.5
					UNSPECIFIED TOLERANCES	

DSND		DATE		SCALE: N/A	MODEL TYPE: X2026H-2*XXXX-N0	
DWN		DATE		VIEW:	PART NO.:	
CHKD		DATE		UNIT: mm	2.00mm Crimp Style Connectors	
APPD		DATE		SIZE: A4	DWG NO.:	
				WEIGHT	SHEET	REVISION
				1.0g	1/1	A0

XKB INDUSTRIAL PRECISION CO., LIMITED

1 2 3 4 5 6 7 8