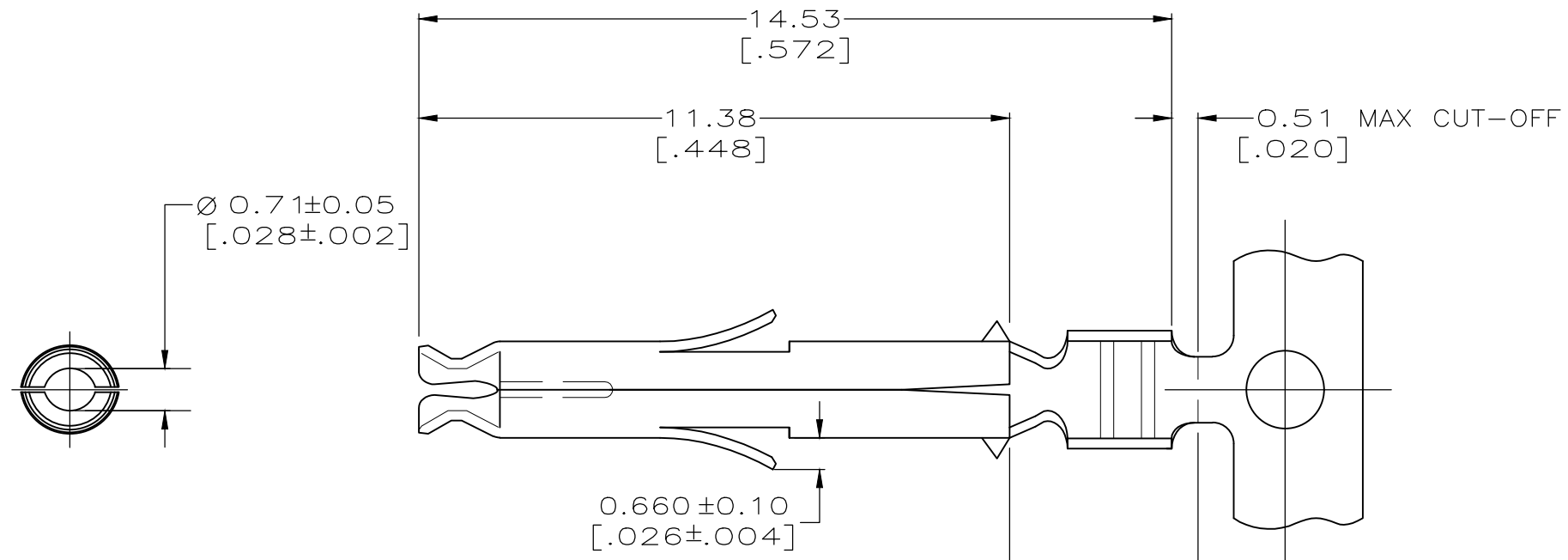


THIS DRAWING IS UNPUBLISHED. RELEASED FOR PUBLICATION
 © COPYRIGHT - By - ALL RIGHTS RESERVED.

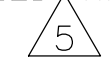
REVISIONS					
P	LTR	DESCRIPTION	DATE	DWN	APVD
	G	ECO-18-020039	07JAN2018	RS	SG



- 1 WIRE RANGE: 0.3 – 0.9MM² (22–18 AWG).
- 2 INSULATION RANGE: 1.50–2.40[.060–.094] DIA.
- 3 DIMENSIONS IN BRACKETS ARE IN INCHES.
- 4 BOTTOM CONTACT STOP IS OPTIONAL CONSTRUCTION.
- 5 0.000762 [.000030] MIN GOLD IN LOCALIZED GOLD PLATE AREA AND 0.00254 [.000100] MIN BRIGHT TIN LOCALIZED TIN PLATE AREA OVER 0.00127 [.000050] MIN NICKEL.

0.660±0.10
[.026±.004]

LOCALIZED TIN AREA



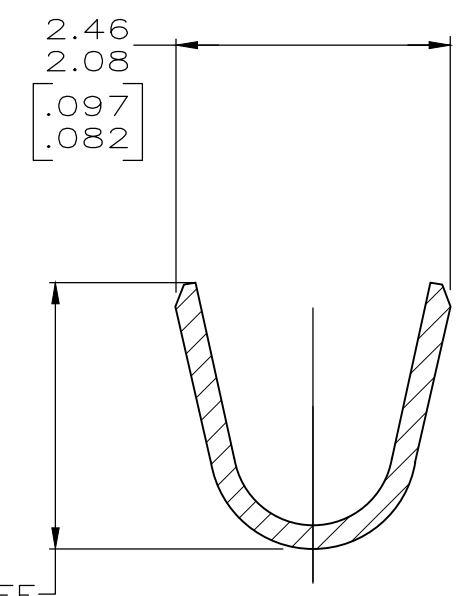
5
1.50
[.059]
LOCALIZED GOLD AREA

1.93
[.076]

A

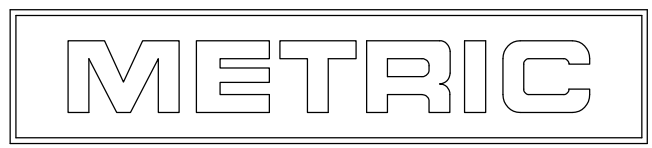


A



SECTION A-A
SCALE 20:1

5	0.20 [.008] BRASS	794831-3
NONE	0.20 [.008] BRASS	794831-2
PRE-TIN	0.20 [.008] BRASS	794831-1
FINISH	MATERIAL	PART NO



THIS DRAWING IS A CONTROLLED DOCUMENT.		DWN K. WHITAKER 20FEB2004	STE TE Connectivity		
DIMENSIONS: mm [INCHES]		CHK C. JONES 20FEB04			
TOLERANCES UNLESS OTHERWISE SPECIFIED:		APVD C. JONES 20FEB04	NAME SOCKET, MINI UNIVERSAL MATE-N-LOK(TM)		
0 PLC ± -		PRODUCT SPEC	SIZE		
1 PLC ± -		APPLICATION SPEC	CAGE CODE		
2 PLC ± 0.13 [.005]		—	DRAWING NO		
3 PLC ± -		—	RESTRICTED TO		
4 PLC ± -		—	A300779		
ANGLES ± 0°30'		—	C-794831		
MATERIAL		FINISH	WEIGHT 0.000000		
-		-	CUSTOMER DRAWING		
			SCALE 8:1		SHEET 1 OF 1
			REV G		